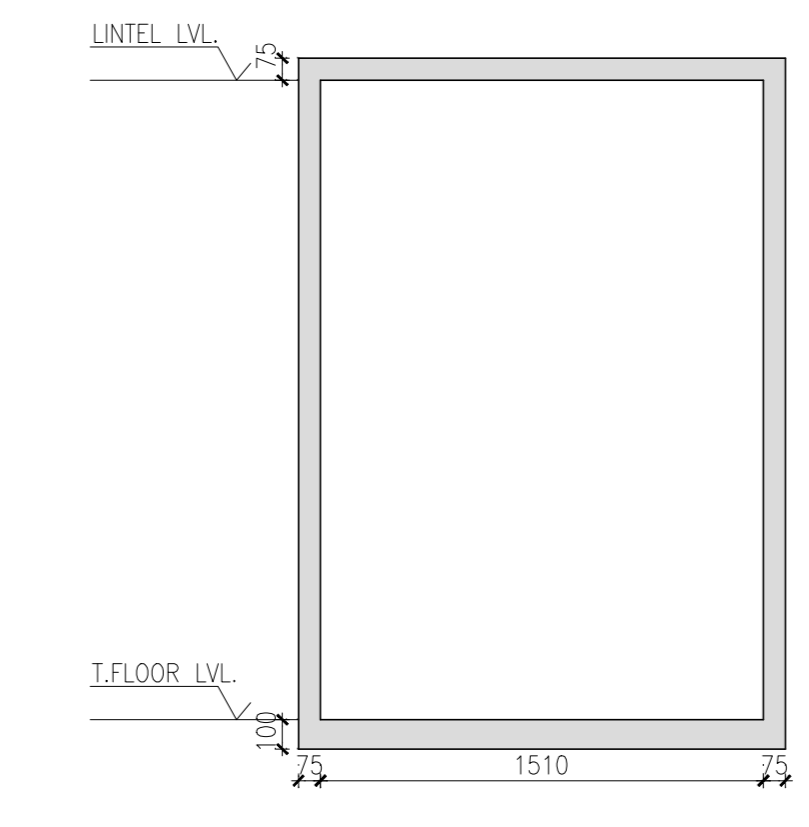
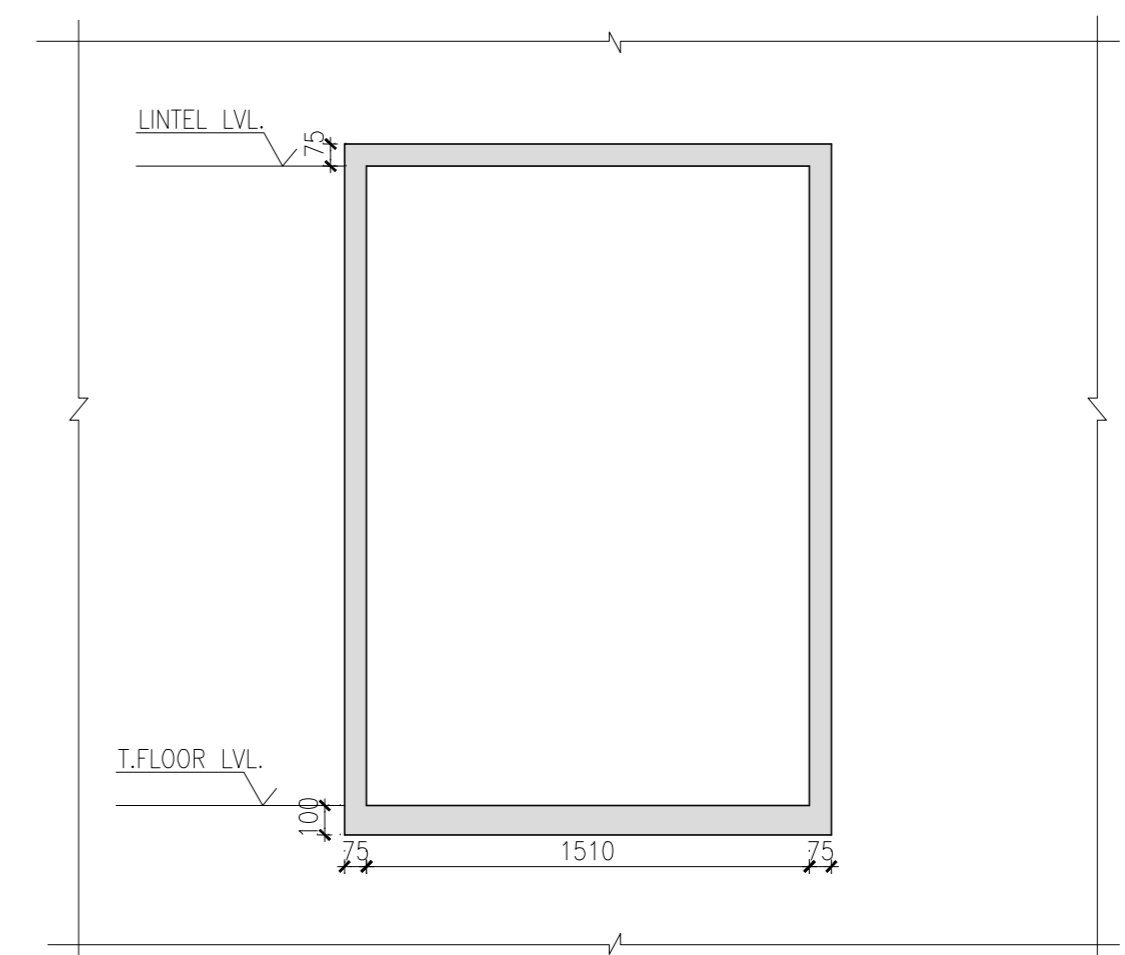


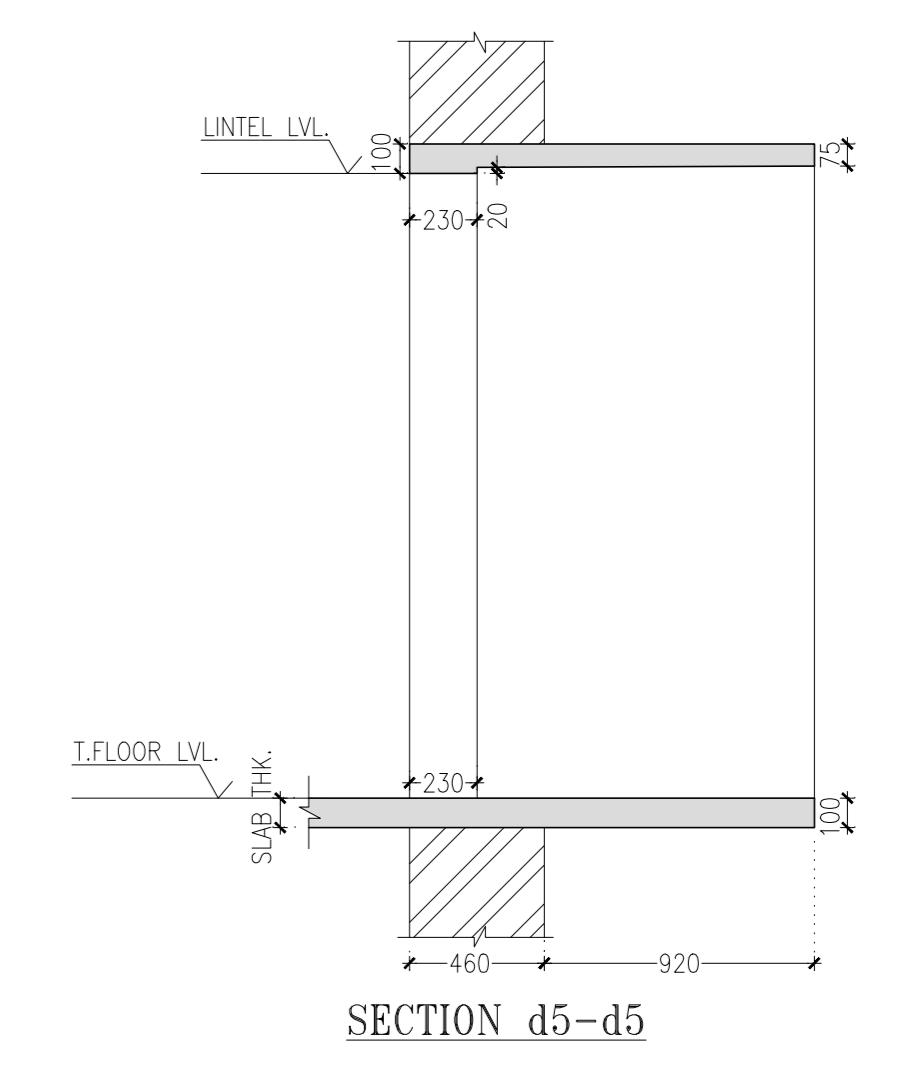
THIRD FLOOR LINTEL PLAN



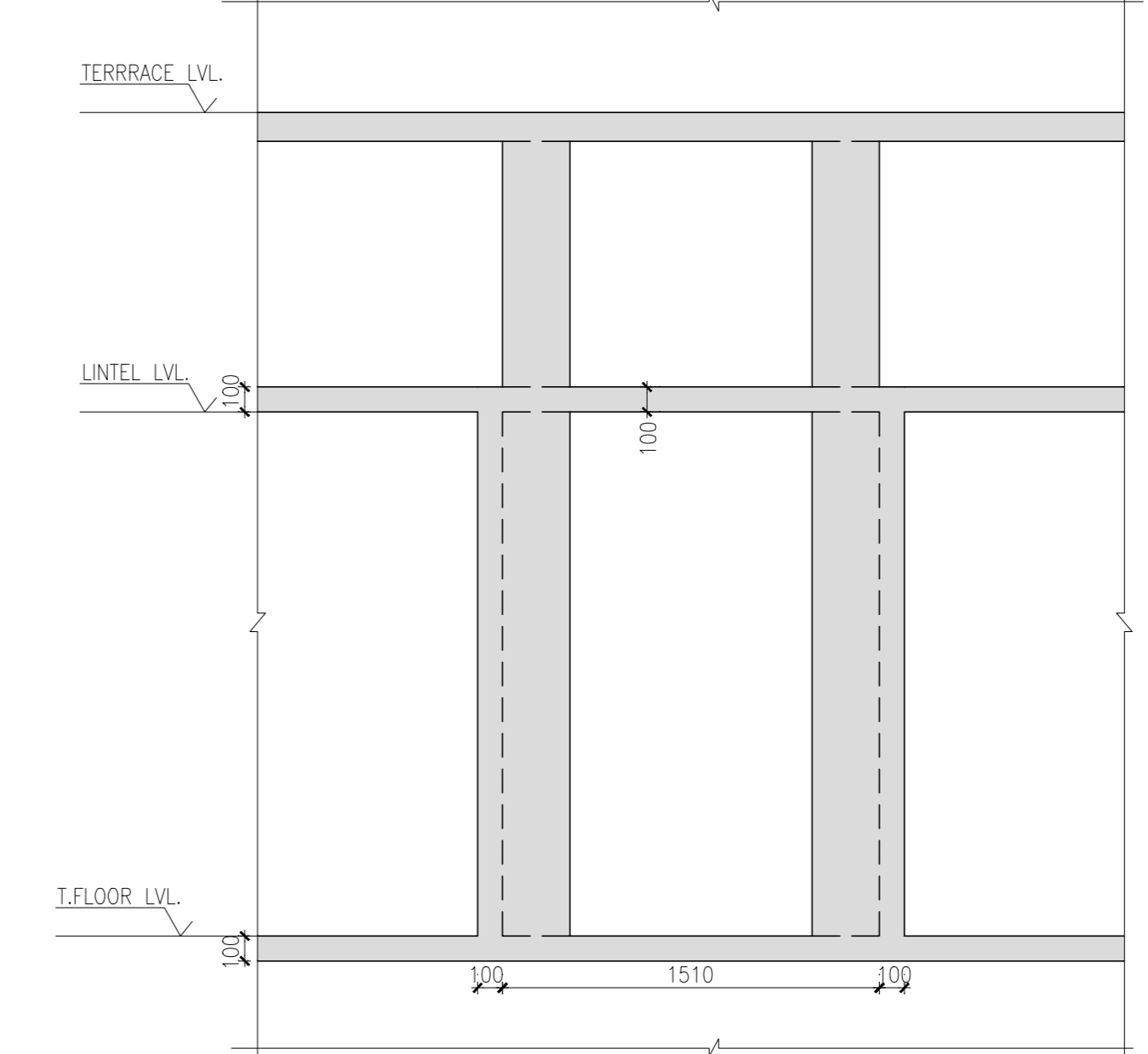
SECTION d3-d3



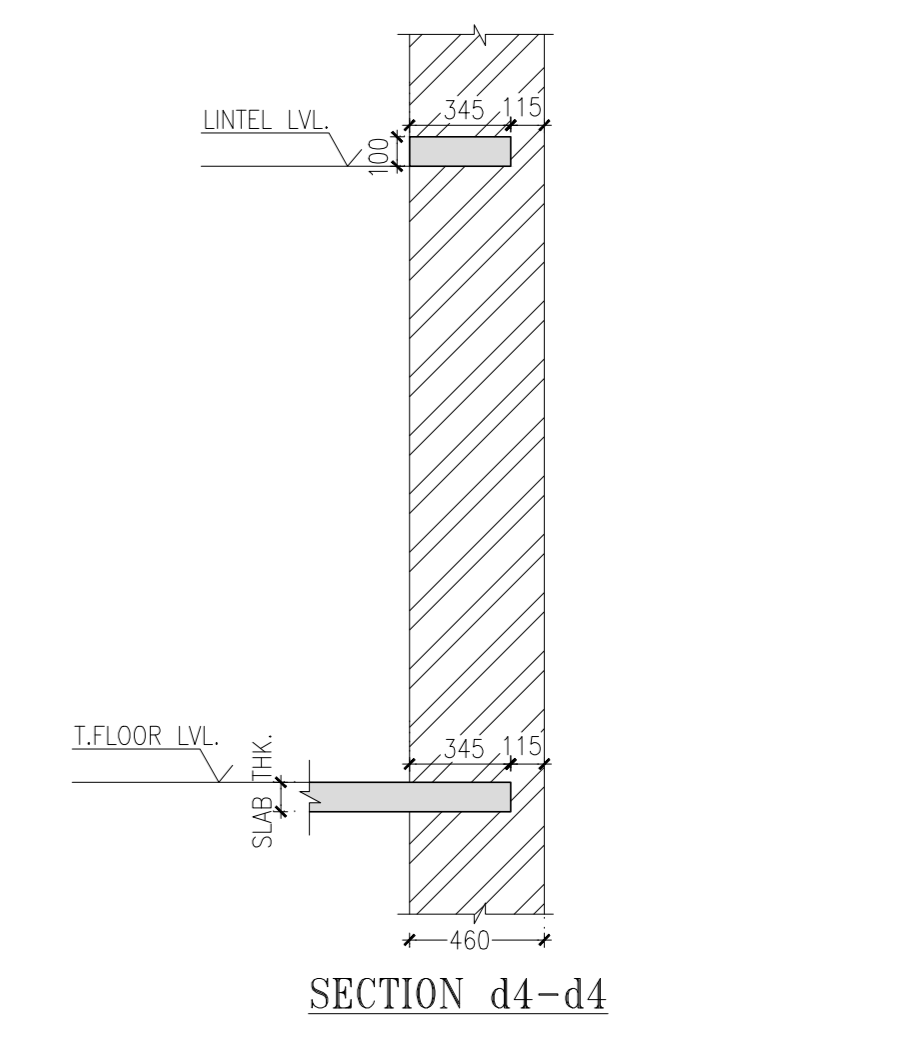
SECTION d2-d2



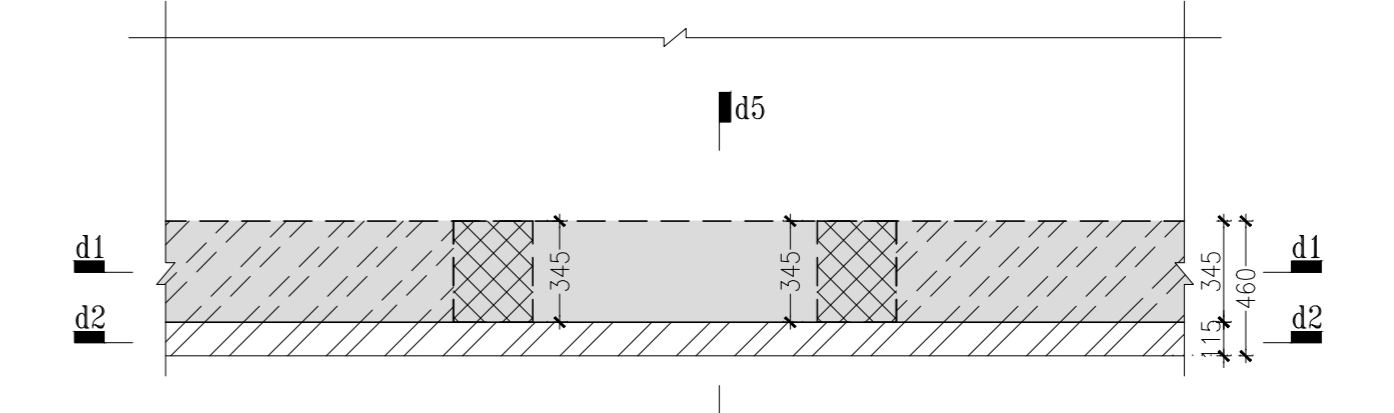
SECTION d5-d5



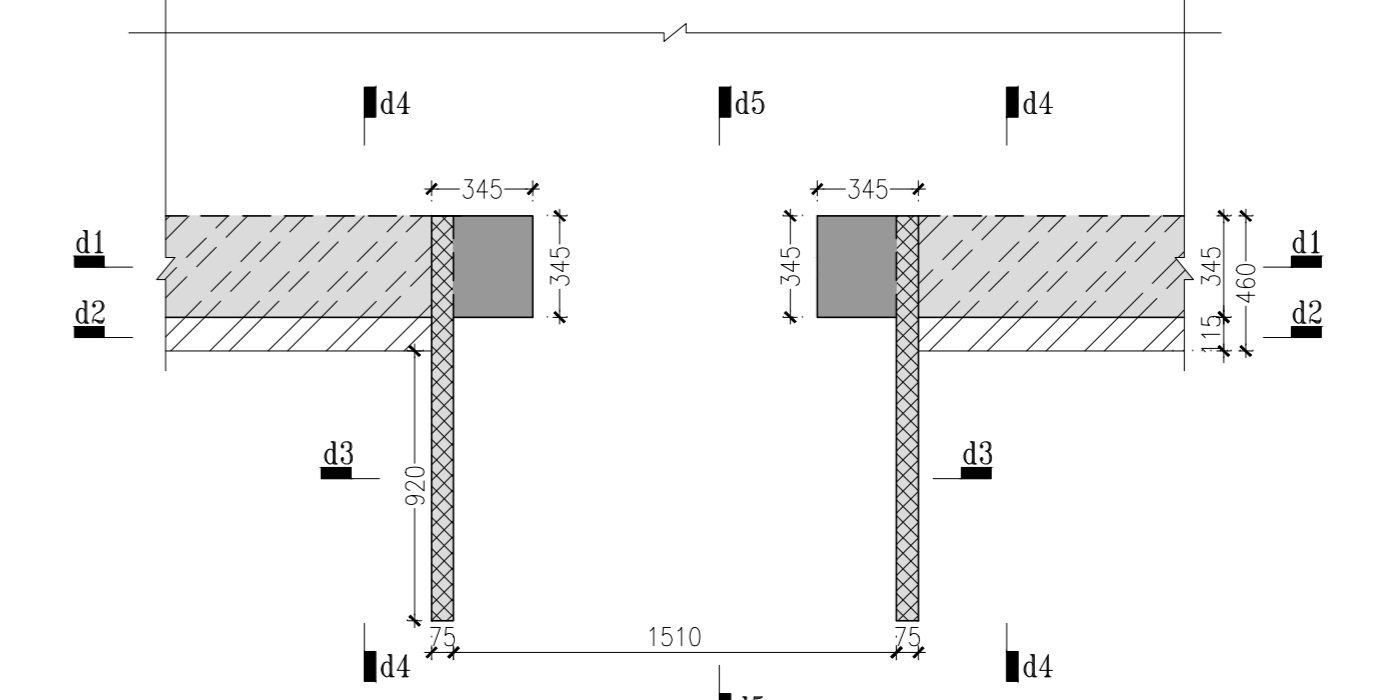
SECTION d1-d1



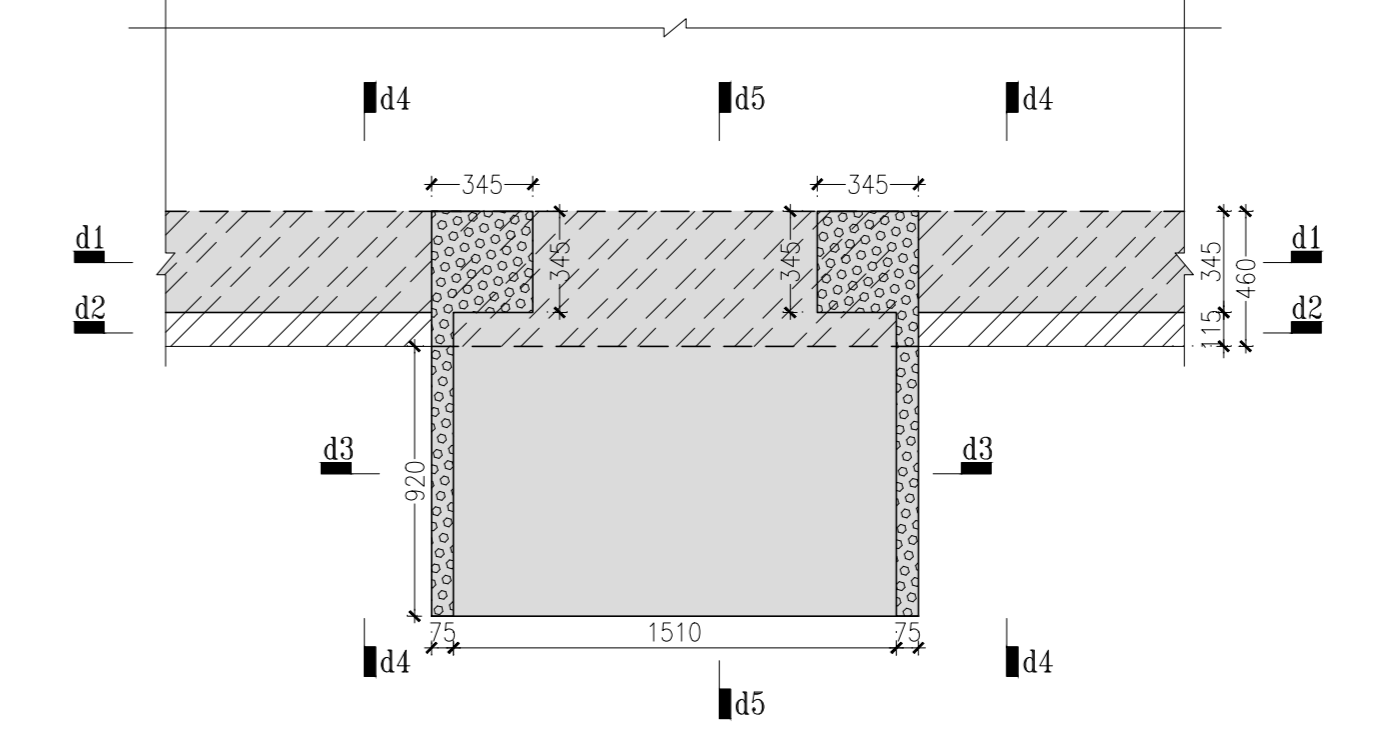
SECTION d4-d4



FLOOR LEVEL PLAN

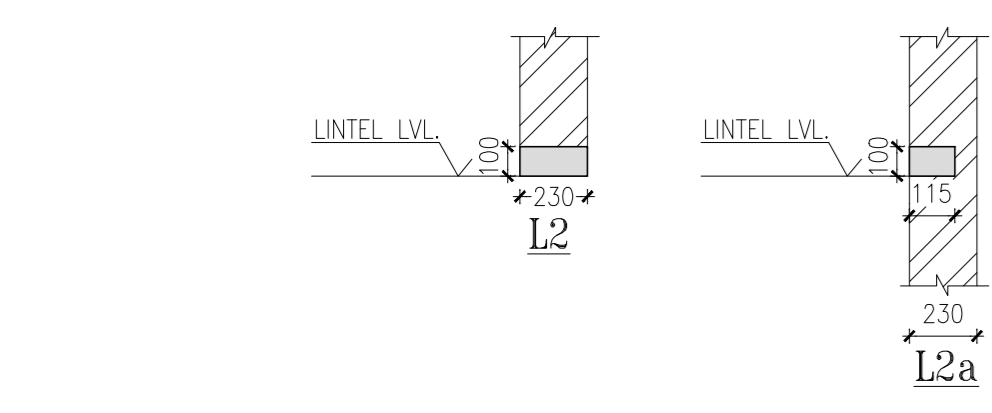


LINTEL LEVEL PLAN

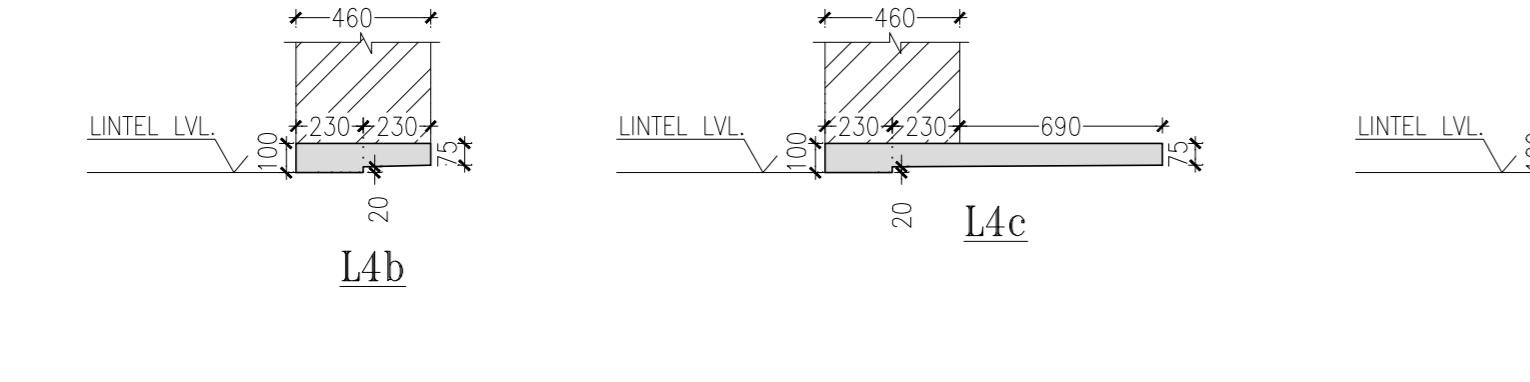


FLOOR LEVEL PLAN

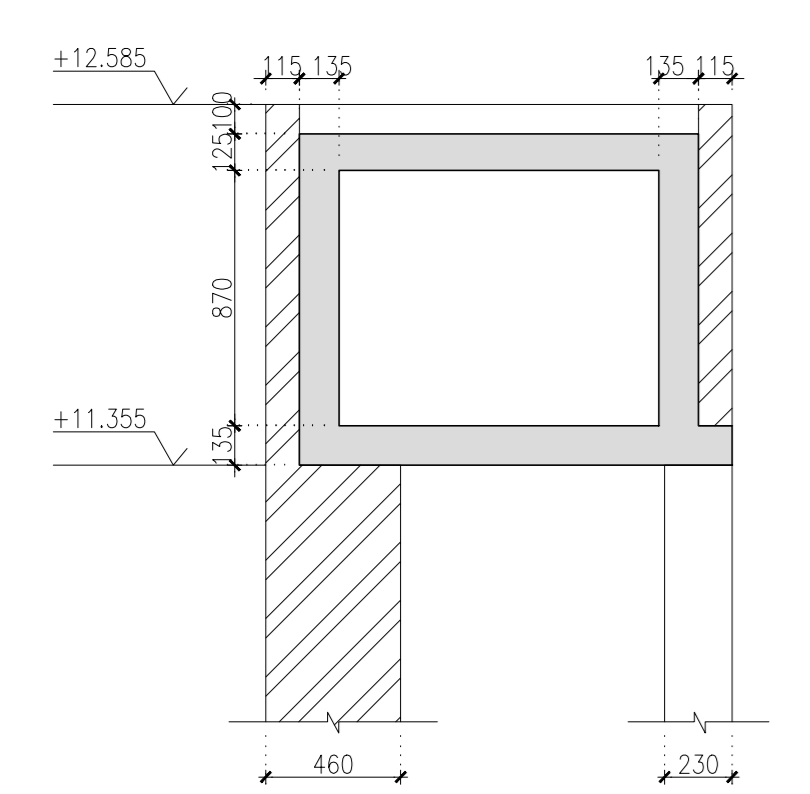
DETAIL-D
(TYP. DETAIL OF JAMB, LINTEL BAND (L4d)
FOR OPENING)



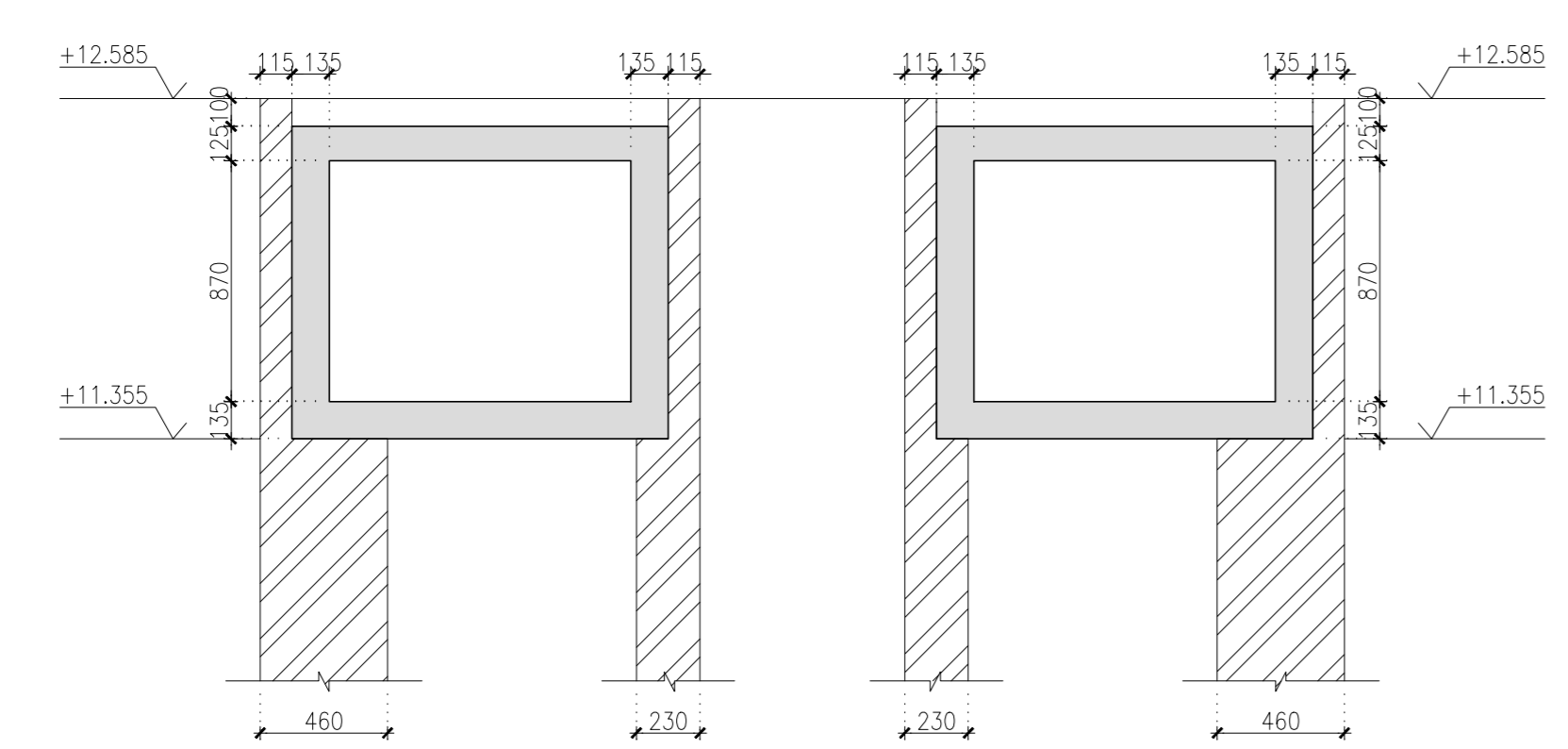
SECTION X2-X2



SECTION X3-X3



SECTION X2-X2



SECTION X3-X3

THIS DRAWING IS THE PROPERTY OF VINOD SHAH Consulting Engineers Pvt. Ltd. AND NOT TO BE COPIED OR USED WITHOUT THEIR PERMISSION.

NOTES:

DETAIL: REMARKS

REFERENCE: ALL DIMENSIONS TO BE CHECKED AND CORRELATED WITH ALL RELATED DRAWINGS AND ANY AMBIGUITY SHALL BE IMMEDIATELY BROUGHT TO THE NOTICE OF THE ENGINEER BEFORE COMMENCEMENT OF THE WORK.

DIMENSION: ALL DIMENSIONS ARE MM AND LEVELS ARE IN METERS. ALL DIMENSIONS ARE TO BE READ AND NOT TO BE MEASURED.

MASONRY SPEC: ALL MASONRY WALLS SHALL BE CONSTRUCTED FROM BURNT CLAY BRICKS UP TO 3rd FLOOR LEVEL WITH MIN. COMPRESSIVE STRENGTH OF 7.5 N/mm² ON GROSS AREA UNLESS OTHERWISE SPECIFIED. BRICK MASONRY SHALL BE BEDDED WITH CEMENT : SAND MORTAR IN PROPORTION OF 1:4 UNLESS OTHERWISE SPECIFIED.

CEILING FLOOR: ALL CEILING MASONRY WALLS SHALL BE CONSTRUCTED FROM COMPRESSED STABILIZED EARTH BLOCK WITH MIN. COMPRESSIVE STRENGTH OF 7.5 N/mm² ON GROSS AREA UNLESS OTHERWISE SPECIFIED.

CEILING FLOOR SPEC: CEILING MASONRY SHALL BE BEDDED WITH CEMENT : SAND MORTAR IN PROPORTION OF 1:4 UNLESS OTHERWISE SPECIFIED. PRISM TEST IS RECOMMENDED TO ENSURE THE EFFICIENCY OF MASONRY WALL AGAINST COMPRESSED STABILIZED EARTH BLOCK.

CONC. SPEC: ALL CONCRETE MIX W/CS UNLESS OTHERWISE SPECIFIED.

REINFORCEMENT: REINFORCEMENT INDICATES TMT STEEL (Fe 500) OF YIELD STRENGTH 500 N/mm².

COVER: CLEAR COVER TO MAIN STEEL IS AS FOLLOWS:
 RAFT : 50 mm
 PILE CAP : 40 mm
 GRADE BEAM : 30 mm
 FOOTINGS : 50 mm
 DECK & TOP : 50 mm
 BOTTOM : 50 mm
 COLUMNS & PEDESTALS : 40 mm
 BEAMS & LINTELS : 30 mm
 SLABS : 25 mm

JAMB / SPLICES: JAMB LENGTH IS FIFTY TIMES BAR DIAMETER.

LEGENDS:
 [Pattern] COLUMN/WALL STARTS FROM THIS LEVEL.
 [Pattern] COLUMN/WALL STOPS AT THIS LEVEL.

FOR TENDER PURPOSE ONLY

No.	Date	Remarks

Revisions

Date	Prints Issued to	Date	Prints Issued to

Distribution of Prints

Consultants

- Structural Consultants**
VINOD SHAH Consulting Engineers Pvt. Ltd.
- Services Consultants**
DBHMS
- Landscape Consultants**
Earthscapes Consultancy Pvt Ltd
- Road and Pathways Consultants**
Atrium Infra Consultants LLP

Project
Nalanda University, Rajgir, Bihar

Title
STRUCTURAL G.A. DRAWINGS OF
THIRD FLOOR LINTEL PLAN &
DETAILS FOR
STUDENT HOUSING (TYPE-03)

Dealt : HS **Drawing No.**
Checked : AJ **NUC-RSH - S - A.3.10**
Scale : 1:50, 1:25
Date : 09/06/2016

VASTU SHILPA CONSULTANTS
Architects | Planners | Urban Designers

Sangam, Thaha Road, Arrah, Bihar - 800504
 Phone: 079-27454537 Fax: 079-27452006
 www.sangam.org e-mail: vsc@sangam.org