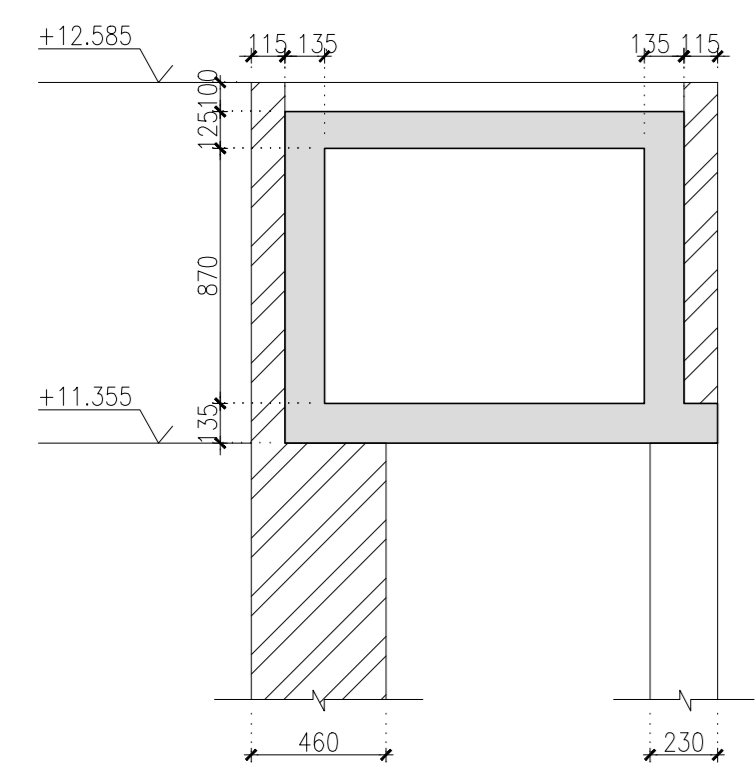


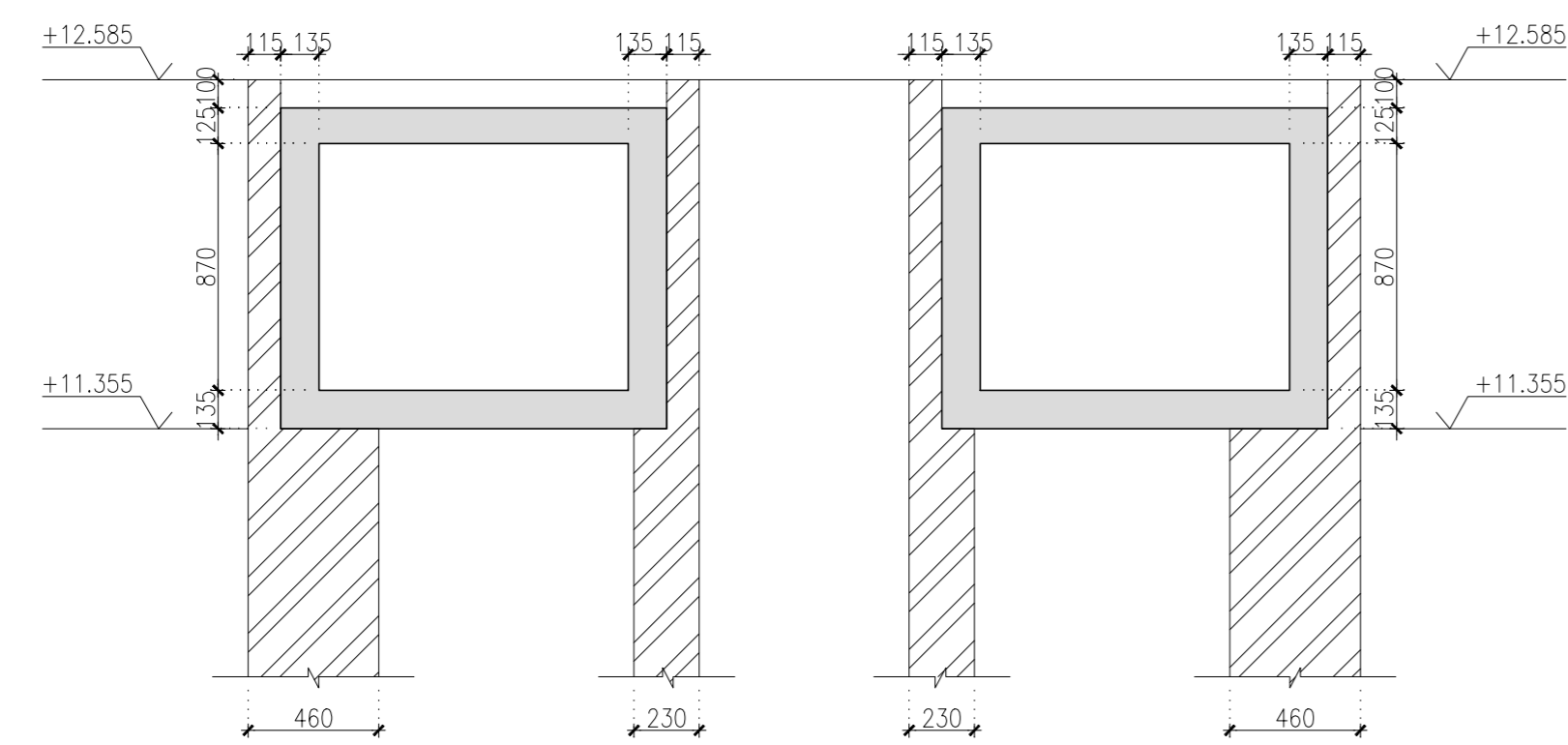
UPPER TERRACE PLAN

BEAM SCHEDULE	
BEAM	SIZE
B1	230X350
B2	345X350
B3	460X350

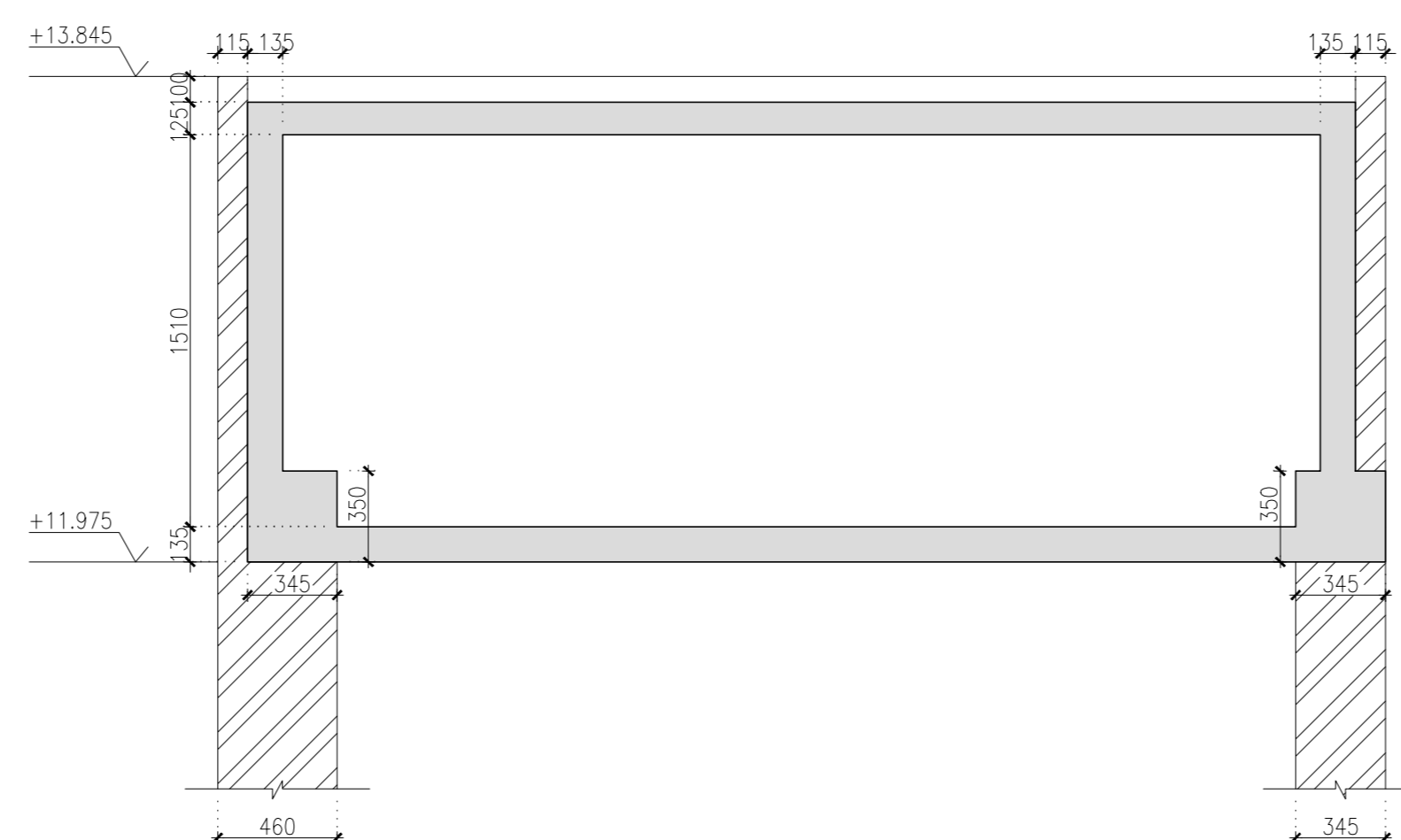
COLUMN SCHEDULE	
COLUMN	SIZE
C1	230X345
C2	230X230
C3	345X345



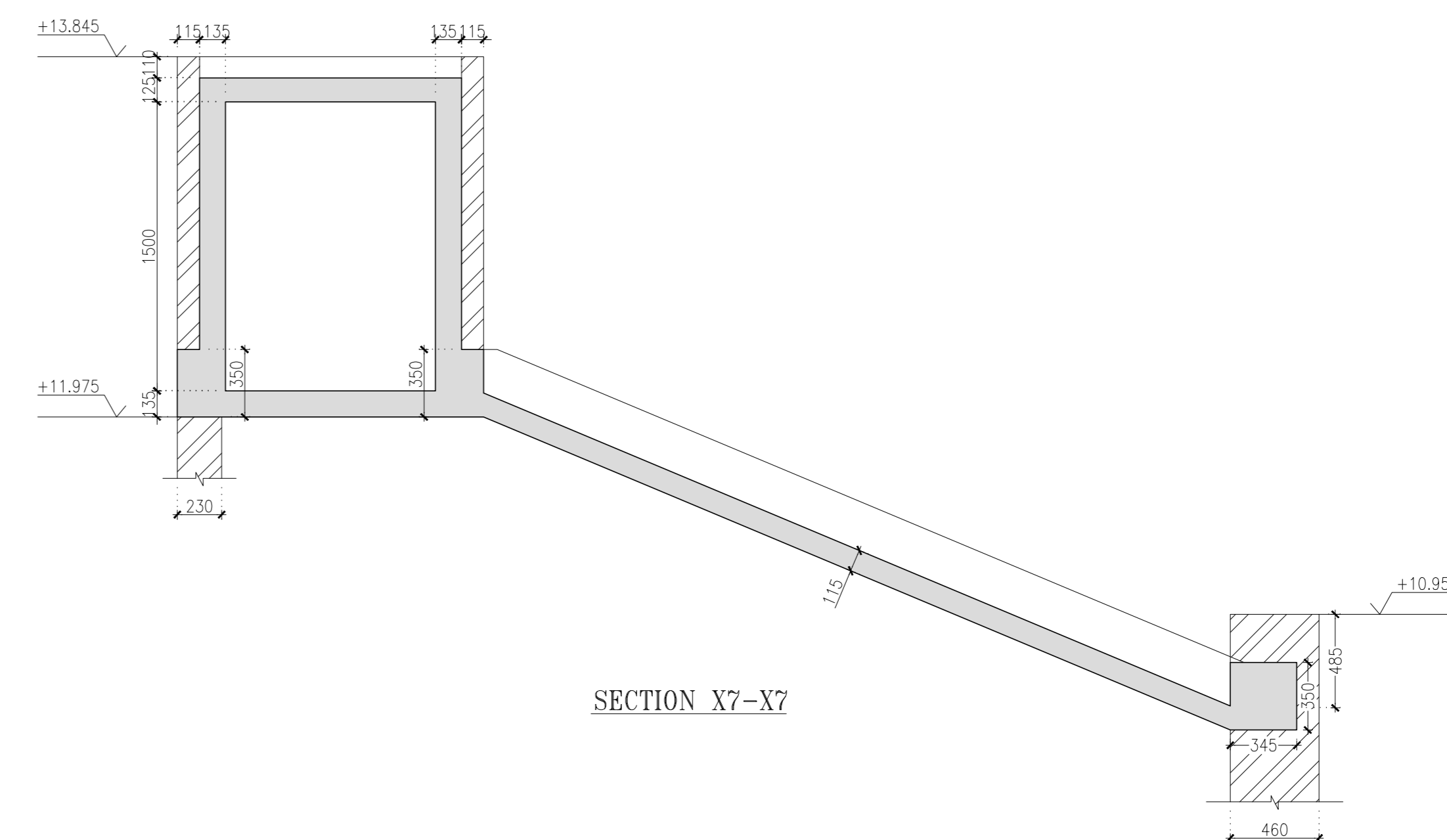
SECTION X2-X2



SECTION X3-X3



SECTION X6-X6



SECTION X7-X7

THIS DRAWING IS THE PROPERTY OF VINOD SHAH Consulting Engineers Pvt. Ltd. AND NOT TO BE COPIED OR USED WITHOUT THEIR PERMISSION.

NOTES:

DETAIL: REMARKS

REFERENCE: ALL DIMENSIONS TO BE CHECKED AND CORRELATED WITH ALL RELATED DRAWINGS AND ANY AMBIGUITY SHALL BE IMMEDIATELY BROUGHT TO THE NOTICE OF THE ENGINEER BEFORE COMMENCEMENT OF THE WORK.

DIMENSION: ALL DIMENSIONS ARE IN MM AND LEVELS ARE IN METERS.

MASONRY SPEC: ALL MASONRY WALLS SHALL BE CONSTRUCTED FROM BURNT CLAY BRICKS UP TO SL LEVEL WITH MIN. COMPRESSIVE STRENGTH OF 7.5 N/mm² ON GROSS AREA UNLESS OTHERWISE SPECIFIED. BRICK MASONRY SHALL BE BEDDED WITH CEMENT : SAND MORTAR IN PROPORTION OF 1:4 UNLESS OTHERWISE SPECIFIED.

CONC. SPEC: ALL CONCRETE MIX W/CS UNLESS OTHERWISE SPECIFIED.

REINFORCEMENT: R INDICATES TMT STEEL (Fe 500) OF YIELD STRENGTH 500 N/mm².

COVER: CLEAR COVER TO MAIN STEEL IS AS FOLLOWS:
 PILES : 50 mm
 PALE CAP : 40 mm
 GRADE BEAM : 30 mm
 FOOTINGS : 50 mm
 DECK & TOP BOTTOM : 50 mm
 COLUMNS & PEDESTALS : 40 mm
 BEAMS & LINTELS : 30 mm
 SLABS : 25 mm

LEGENDS:
 COLUMN/WALL STARTS FROM THIS LEVEL.
 COLUMN/WALL STOPS AT THIS LEVEL.

FOR TENDER PURPOSE ONLY

No. Date Remarks

Date Prints Issued to Date Prints Issued to

- Consultants
- Structural Consultants: VINOD SHAH Consulting Engineers Pvt. Ltd.
 - Services Consultants: DBHMS
 - Landscape Consultants: Earthscapes Consultancy Pvt. Ltd.
 - Road and Pathways Consultants: Arhmm Infra Consultants LLP

Project: Nalanda University, Rajgir, Bihar

Title: STRUCTURAL G.A. DRAWINGS OF UPPER TERRACE PLAN & DETAILS FOR STUDENT HOUSING (TYPE-07)

Dealt: HS Drawing No. NUC-RSH-S-A.7.10
 Checked: AJ
 Scale: 1:50, 1:25
 Date: 09/06/2016

VASTU SHILPA CONSULTANTS
 Architects | Planners | Urban Designers
 Sangam, Thaha Road, Arrah, Bihar - 80054
 Phone: 079-27454537 Fax: 079-27452006
 www.sangam.org e-mail: vsc@sangam.org