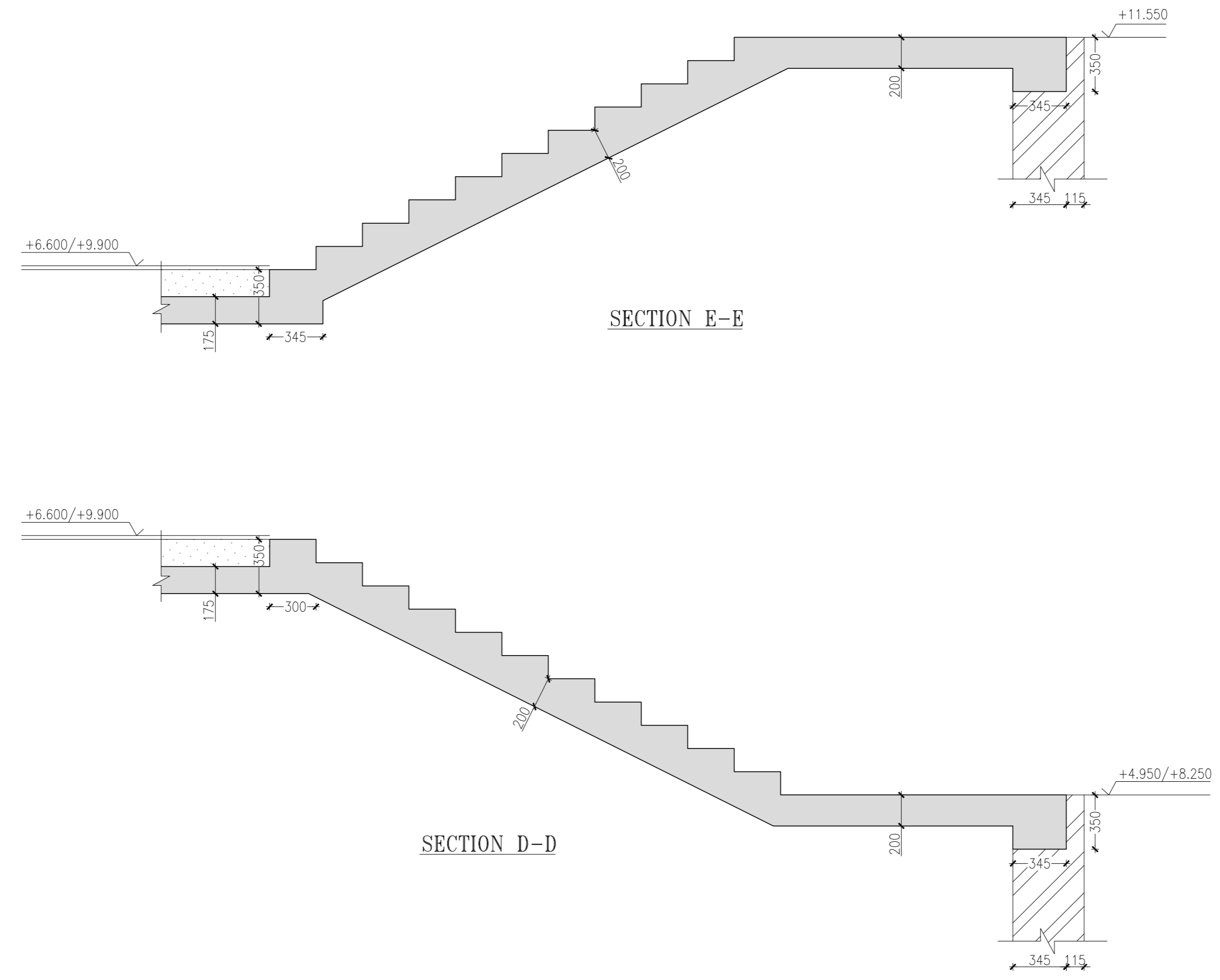
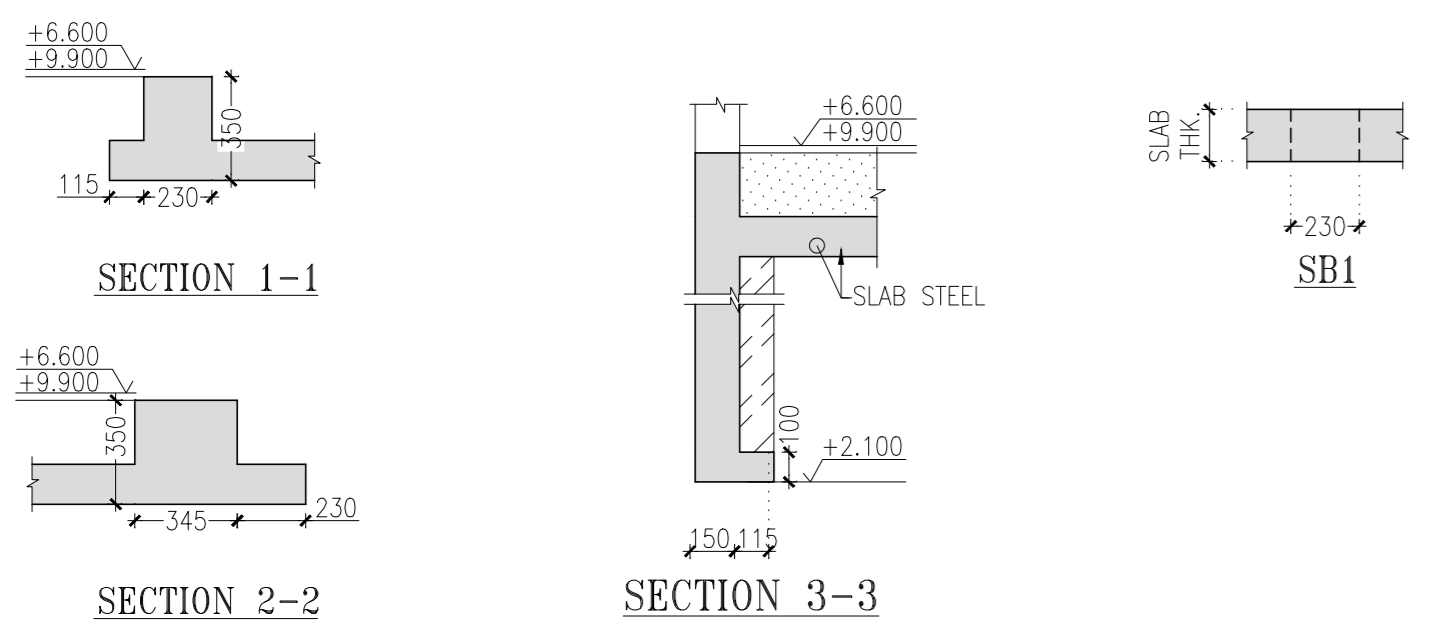


TYPICAL FLOOR PLAN AT +6.600/9.900M LVL(F.F.L.)  
(ALL SLABS 135 THK. UNLESS SPECIFIED OTHERWISE)



NOTES:													
DETAIL	REMARKS												
REFERENCE	ALL DIMENSIONS TO BE CHECKED AND CORRELATED WITH ALL RELATED DRAWINGS AND ANY AMBIGUITY SHALL BE IMMEDIATELY BROUGHT TO THE NOTICE OF THE ENGINEERS BEFORE COMMENCEMENT OF THE WORK.												
DIMENSION	ALL DIMENSIONS ARE TO BE READ AND NOT TO BE MEASURED.												
CSEB MASONRY SPEC.	ALL CSEB MASONRY WALLS SHALL BE CONSTRUCTED FROM COMPRESSED EARTH BLOCK WITH MIN. CRUSHING STRENGTH OF 7.5 N/mm <sup>2</sup> ON GROSS AREA UNLESS OTHERWISE SPECIFIED. BRICK MASONRY SHALL BE BEDDED WITH CEMENT : SAND MORTAR IN PROPORTION OF 1:4 UNLESS OTHERWISE SPECIFIED.												
CONC. SPEC.	ALL CONCRETE MIX M25 UNLESS OTHERWISE SPECIFIED.												
REINFORCEMENT	INDICATE TMT STEEL YIELD STRENGTH 500 N/mm <sup>2</sup>												
COVER	CLEAR COVER TO MAIN STEEL IS AS FOLLOWS: FOOTINGS : SIDES & TOP : 50 mm BOTTOM : 50 mm COLUMNS & PEDESTALS : 40 mm BEAMS & LINTELS : 30 mm SLABS : 25 mm												
LAPS/ SPLICES	LAP LENGTH IS FIFTY TIMES BAR DIAMETER												
FOR TENDER PURPOSE ONLY													
<table border="1"> <thead> <tr> <th>No.</th> <th>Date.</th> <th>Remarks.</th> </tr> </thead> <tbody> <tr> <td> </td> <td> </td> <td> </td> </tr> <tr> <td> </td> <td> </td> <td> </td> </tr> </tbody> </table>		No.	Date.	Remarks.									
No.	Date.	Remarks.											
<table border="1"> <thead> <tr> <th>Date</th> <th>Prints</th> <th>Issued to</th> <th>Date</th> <th>Prints</th> <th>Issued to</th> </tr> </thead> <tbody> <tr> <td> </td> <td> </td> <td> </td> <td> </td> <td> </td> <td> </td> </tr> </tbody> </table>		Date	Prints	Issued to	Date	Prints	Issued to						
Date	Prints	Issued to	Date	Prints	Issued to								
Distribution of Prints													
<table border="1"> <thead> <tr> <th colspan="2">Consultants</th> </tr> </thead> <tbody> <tr> <td><input checked="" type="radio"/></td> <td><b>Structural Consultants</b> VINOD SHAH Consulting Engineers Pvt. Ltd.</td> </tr> <tr> <td><input type="radio"/></td> <td><b>Services Consultants</b> DBHMS</td> </tr> <tr> <td><input type="radio"/></td> <td><b>Landscape Consultants</b> Earthscapes Consultancy Pvt Ltd</td> </tr> <tr> <td><input type="radio"/></td> <td><b>Road and Pathways Consultants</b> Arhmm Infra Consultants LLP</td> </tr> </tbody> </table>		Consultants		<input checked="" type="radio"/>	<b>Structural Consultants</b> VINOD SHAH Consulting Engineers Pvt. Ltd.	<input type="radio"/>	<b>Services Consultants</b> DBHMS	<input type="radio"/>	<b>Landscape Consultants</b> Earthscapes Consultancy Pvt Ltd	<input type="radio"/>	<b>Road and Pathways Consultants</b> Arhmm Infra Consultants LLP		
Consultants													
<input checked="" type="radio"/>	<b>Structural Consultants</b> VINOD SHAH Consulting Engineers Pvt. Ltd.												
<input type="radio"/>	<b>Services Consultants</b> DBHMS												
<input type="radio"/>	<b>Landscape Consultants</b> Earthscapes Consultancy Pvt Ltd												
<input type="radio"/>	<b>Road and Pathways Consultants</b> Arhmm Infra Consultants LLP												
<table border="1"> <thead> <tr> <th colspan="2">Project</th> </tr> </thead> <tbody> <tr> <td colspan="2"><b>Nalanda University, Rajgir, Bihar</b></td> </tr> </tbody> </table>		Project		<b>Nalanda University, Rajgir, Bihar</b>									
Project													
<b>Nalanda University, Rajgir, Bihar</b>													
<table border="1"> <thead> <tr> <th colspan="2">Title</th> </tr> </thead> <tbody> <tr> <td colspan="2"><b>STRUCTURAL G.A. DRAWINGS OF TYP. FLOOR PLAN AND DETAILS FOR FACULTY HOUSING (APPT. TYPE 2)</b></td> </tr> </tbody> </table>		Title		<b>STRUCTURAL G.A. DRAWINGS OF TYP. FLOOR PLAN AND DETAILS FOR FACULTY HOUSING (APPT. TYPE 2)</b>									
Title													
<b>STRUCTURAL G.A. DRAWINGS OF TYP. FLOOR PLAN AND DETAILS FOR FACULTY HOUSING (APPT. TYPE 2)</b>													
<table border="1"> <tbody> <tr> <td>Dealt : DILIP</td> <td>Drawing No.</td> </tr> <tr> <td>Checked : AJ</td> <td>NUC- FAH(2)-S-A.7</td> </tr> <tr> <td>Scale : 1:50, 1:25</td> <td></td> </tr> <tr> <td>Date : 07/09/2016</td> <td></td> </tr> </tbody> </table>		Dealt : DILIP	Drawing No.	Checked : AJ	NUC- FAH(2)-S-A.7	Scale : 1:50, 1:25		Date : 07/09/2016					
Dealt : DILIP	Drawing No.												
Checked : AJ	NUC- FAH(2)-S-A.7												
Scale : 1:50, 1:25													
Date : 07/09/2016													
<table border="1"> <tbody> <tr> <td colspan="2"><b>VASTU SHILPA CONSULTANTS</b> Architects   Planners   Urban Designers</td> </tr> <tr> <td colspan="2">           'Sangath', Thaltej Road, Ahmedabad - 380054            Phone: 079 - 27454537 Fax: 079 - 27452006            www.sangath.org e-mail: vsc@sangath.org         </td> </tr> </tbody> </table>		<b>VASTU SHILPA CONSULTANTS</b> Architects   Planners   Urban Designers		'Sangath', Thaltej Road, Ahmedabad - 380054 Phone: 079 - 27454537 Fax: 079 - 27452006 www.sangath.org e-mail: vsc@sangath.org									
<b>VASTU SHILPA CONSULTANTS</b> Architects   Planners   Urban Designers													
'Sangath', Thaltej Road, Ahmedabad - 380054 Phone: 079 - 27454537 Fax: 079 - 27452006 www.sangath.org e-mail: vsc@sangath.org													