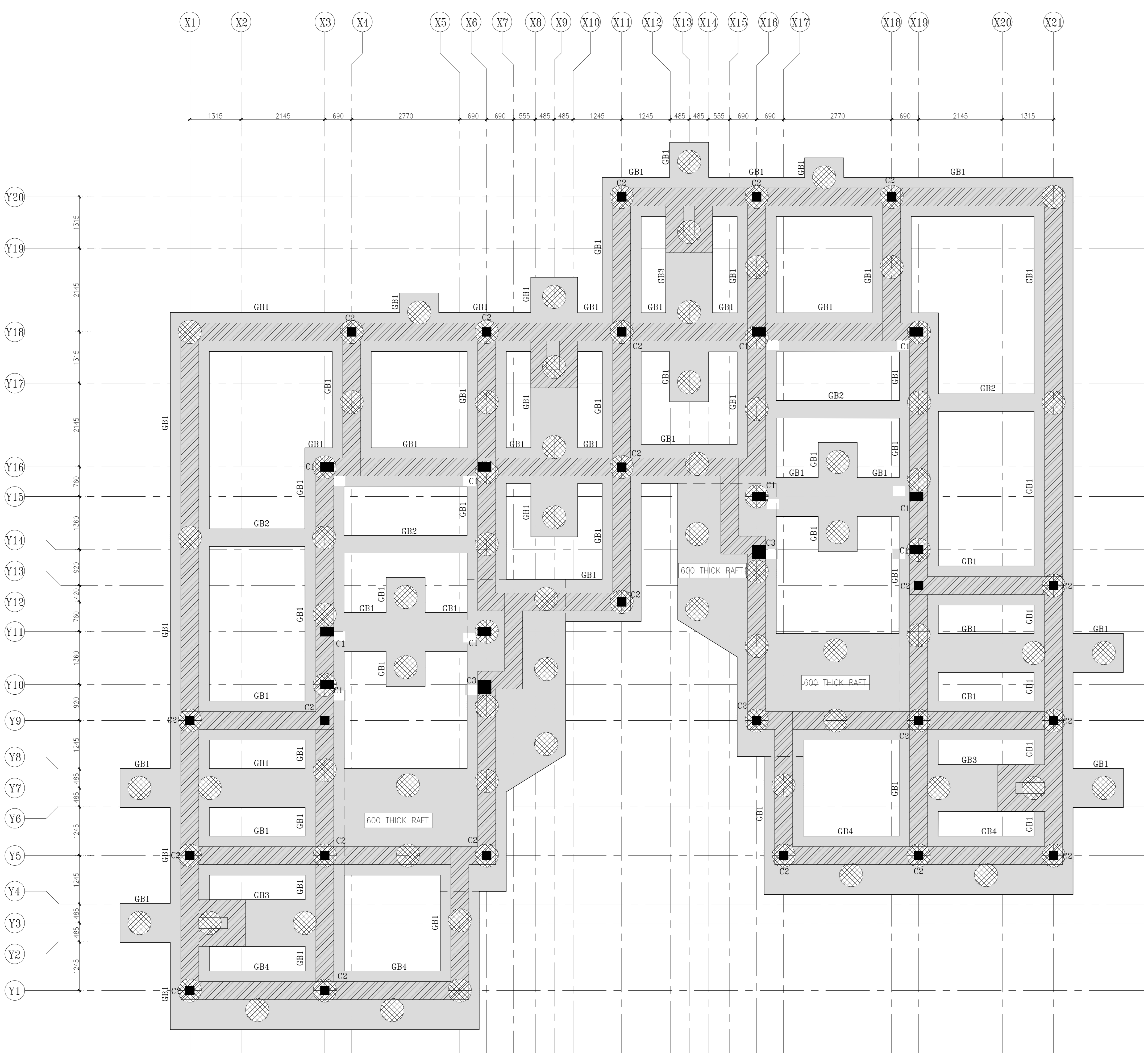
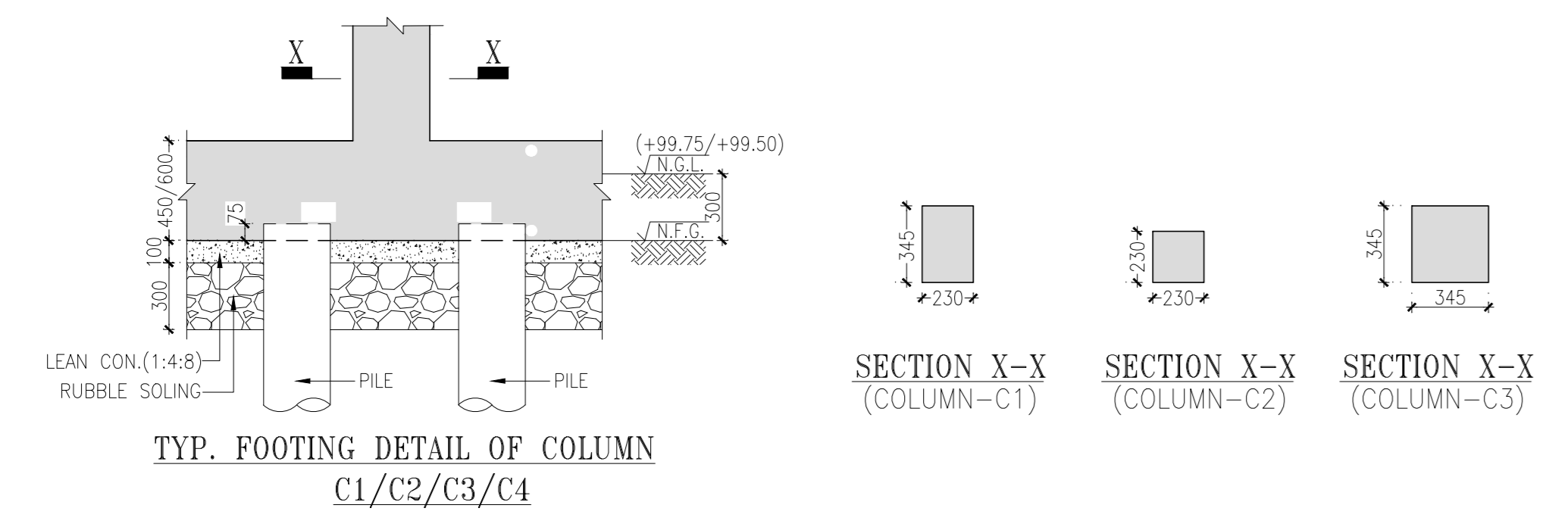


NOTES:	REMARKS
REFERENCE	ALL DIMENSIONS TO BE CHECKED AND CORRELATED WITH ALL RELATED DRAWINGS AND ANY AMBIGUITY SHALL BE IMMEDIATELY BROUGHT TO THE NOTICE OF THE ENGINEERS BEFORE COMMENCEMENT OF THE WORK.
FOUNDATION	ALL DIMENSIONS ARE MM AND LEVELS ARE IN METERS.
PILES	ALL DIMENSIONS ARE TO BE READ AND NOT TO BE MEASURED.
FOUNDATION	PILE WORK TO BE DONE AS PER IS 2911-2010.
PILES	INITIAL AND ROUTINE TEST OF PILES TO BE CARRIED OUT AS PER IS 2911 (Part-04)-1985.
PILES	TESTING ON BOTH SIDES OF WALL WHEN REQUIRED SHALL BE BALANCED IN STAGES AND LOADS.
MASONRY SPEC.	ALL MASONRY WALLS SHALL BE CONSTRUCTED FROM BURNT CLAY BRICKS UP TO 5% LEVEL WITH MIN. COMPRESSIVE STRENGTH OF 7.5 N/mm ² ON GROSS AREA UNLESS OTHERWISE SPECIFIED.
MASONRY SPEC.	BRICK MASONRY SHALL BE BEDDED WITH CEMENT : SAND MORTAR IN PROPORTION OF 1:4 UNLESS OTHERWISE SPECIFIED.
MASONRY SPEC.	CEILING MASONRY SHALL BE BEDDED WITH CEMENT : SAND MORTAR IN PROPORTION OF 1:4 UNLESS OTHERWISE SPECIFIED.
MASONRY SPEC.	PROOF TEST IS RECOMMENDED TO ENSURE THE EFFICIENCY OF MASONRY WALL AGAINST COMPRESSED STABILISED EARTH BLOCK.
CONC. SPEC.	ALL CONCRETE MIX W/S UNLESS OTHERWISE SPECIFIED.
REINFORCEMENT	* INDICATES TMT STEEL (Fe 500) OF YIELD STRENGTH 500 N/mm ²
COVER	CLEAR COVER TO MAIN STEEL IS AS FOLLOWS: PILES : 50 mm PILE CAP : 80 mm GRADE BEAM : 30 mm FOOTINGS : 50 mm DECK & TOP : 50 mm BOTTOM : 50 mm COLUMNS & PERISTALS : 40 mm BEAMS & LINTELS : 30 mm SLABS : 25 mm
LAP/ SPLICES	LAP LENGTH IS FIFTY TIMES BAR DIAMETER
LEGENDS:	■ COLUMN/WALL STARTS FROM THIS LEVEL. ■ COLUMN/WALL STOPS AT THIS LEVEL.

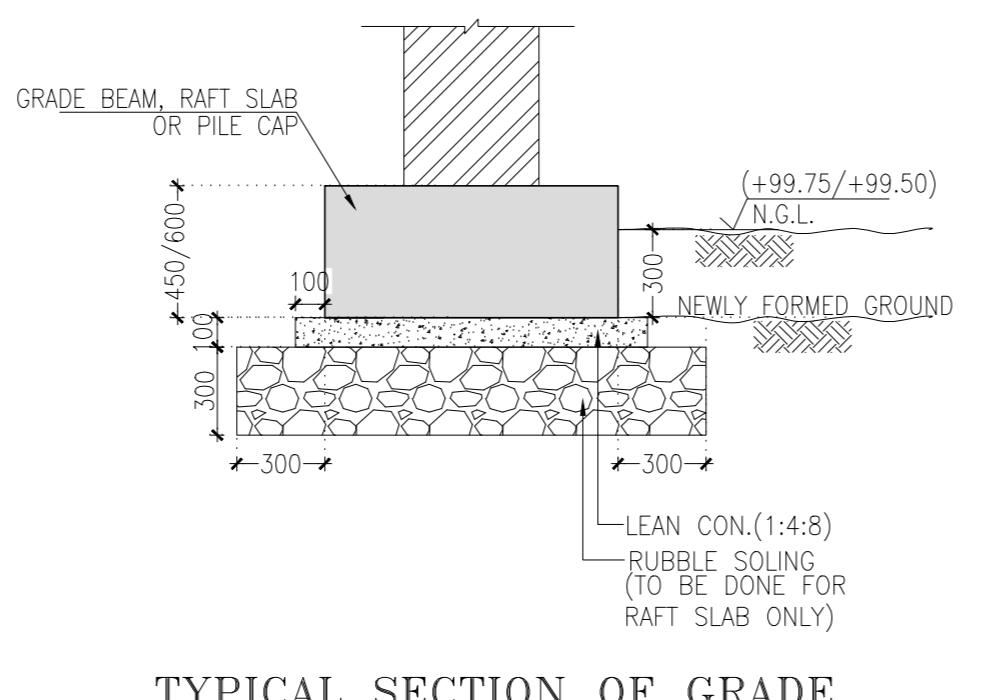


PILE CAP & GRADE BEAM LAYOUT

COLUMN SCHEDULE		GRADE BEAM SCHEDULE	
COLUMN	SIZE	BEAM	SIZE
C1	230X345	GB1	1000X600
C2	230X230	GB2	450X600
C3	345X345	GB3	1200X600
		GB4	1500X600



TYP. FOOTING DETAIL OF COLUMN C1/C2/C3/C4



TYPICAL SECTION OF GRADE BEAM, RAFT SLAB OR PILE CAP

FOR TENDER PURPOSE ONLY

No.	Date	Remarks

Date	Prints Issued to	Date	Prints Issued to

- Consultants**
- **Structural Consultants**
VINOD SHAH Consulting Engineers Pvt. Ltd.
 - **Services Consultants**
DBHMS
 - **Landscape Consultants**
Earthscapes Consultancy Pvt Ltd
 - **Road and Pathways Consultants**
Aahmm Infra Consultants LLP

Project
Nalanda University, Rajgir, Bihar

Title
STRUCTURAL G.A. DRAWINGS OF GRADE BEAM LAYOUT & DETAILS FOR STUDENT HOUSING (TYPE-01)

Dealt : DILIP
Checked : AJ
Scale : 1:50, 1:25
Date : 09/06/2016
Drawing No. : NUC-RSH-S-A.1.2