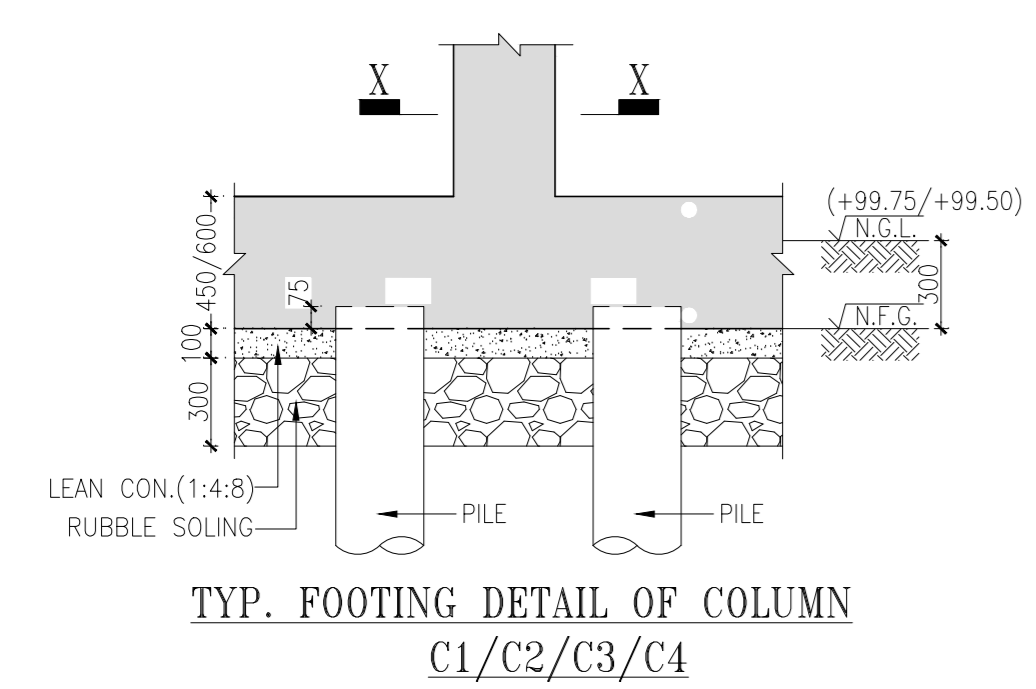


GRADE BEAM LAYOUT

COLUMN	SIZE
C1	230x345
C2	230x230
C3	345x345

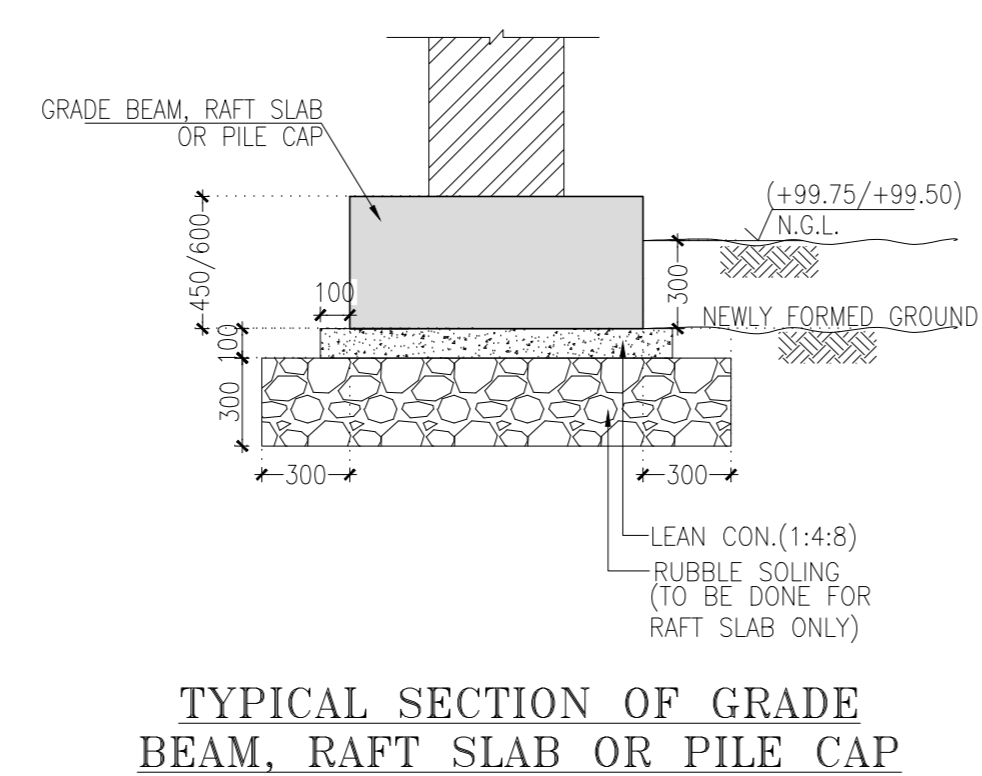
BEAM	SIZE
GB1	1000x600
GB2	450x600
GB3	1200x600
GB4	1413x600
GB5	1500x600
GB6	2500x600



SECTION X-X (COLUMN-C1)

SECTION X-X (COLUMN-C2)

SECTION X-X (COLUMN-C3)



THIS DRAWING IS THE PROPERTY OF VINOD SHAH Consulting Engineers Pvt. Ltd. AND NOT TO BE COPIED OR USED WITHOUT THEIR PERMISSION.

NOTES:	REMARKS
REFERENCE	ALL DIMENSIONS TO BE CHECKED AND CORRELATED WITH ALL RELATED DRAWINGS AND ANY AMBIGUITY SHALL BE IMMEDIATELY BROUGHT TO THE NOTICE OF THE ENGINEER BEFORE COMMENCEMENT OF THE WORK.
FOUNDATION PILES	ALL DIMENSIONS ARE MM AND LEVELS ARE IN METERS. ALL DIMENSIONS ARE TO BE READ AND NOT TO BE MEASURED. PILING WORK TO BE DONE AS PER IS 2911-2010. INITIAL AND ROUTINE TEST OF PILES TO BE CARRIED OUT AS PER IS 2911 (PART-04)-1985. PILING ON BOTH SIDES OF WALL WHEN REQUIRED SHALL BE BALANCED IN STAGES AND LAYOUTS.
MASONRY SPEC.	ALL MASONRY WALLS SHALL BE CONSTRUCTED FROM BURNT CLAY BRICKS UP TO 5% LEVEL WITH MIN. COMPRESSIVE STRENGTH OF 7.5 N/mm ² ON GROSS AREA UNLESS OTHERWISE SPECIFIED. BRICK MASONRY SHALL BE BEDDED WITH CEMENT : SAND MORTAR IN PROPORTION OF 1:4 UNLESS OTHERWISE SPECIFIED. CEBR MASONRY SHALL BE BEDDED WITH CEMENT : SAND MORTAR IN PROPORTION OF 1:4 UNLESS OTHERWISE SPECIFIED. BROW TEST IS RECOMMENDED TO ENSURE THE EFFICIENCY OF MASONRY WALL AGAINST COMPRESSED STABILIZED EARTH BLOCK.
CONC. SPEC.	ALL CONCRETE MIX M25 UNLESS OTHERWISE SPECIFIED.
REINFORCEMENT	* INDICATES TMT STEEL (Fe 500) OF YIELD STRENGTH 500 N/mm ²
COVER	CLEAR COVER TO MAIN STEEL IS AS FOLLOWS: PILES : 50 mm PILE CAP : 80 mm GRADE BEAM : 30 mm FOOTINGS : 50 mm TOP : 50 mm BOTTOM : 40 mm COLUMNS & PEDESTALS : 30 mm SLABS : 25 mm LAP LENGTH IS FIFTY TIMES BAR DIAMETER
LEGENDS:	■ COLUMN/WALL STARTS FROM THIS LEVEL. ■ COLUMN/WALL STOPS AT THIS LEVEL.

FOR TENDER PURPOSE ONLY

No.	Date	Remarks

Revisions

Date	Prints Issued to	Date	Prints Issued to

Distribution of Prints

- Consultants
- **Structural Consultants**
VINOD SHAH Consulting Engineers Pvt. Ltd.
 - **Services Consultants**
DBHMS
 - **Landscape Consultants**
Earthscapes Consultancy Pvt Ltd
 - **Road and Pathways Consultants**
Aahm Infra Consultants LLP

Project
Nalanda University, Rajgir, Bihar

Title
STRUCTURAL G.A. DRAWINGS OF GRADE BEAM LAYOUT & DETAILS FOR STUDENT HOUSING (TYPE-03)

Dealt : HS Drawing No. NUC-RSH-S-A.3.2
Checked : AJ
Scale : 1:50, 1:25
Date : 09/06/2016

VASTU SHILPA CONSULTANTS
Architects | Planners | Urban Designers
Sangam, Thaha Road, Arrah, Bihar - 80054
Phone: 079-27454537 Fax: 079-27452006
www.sangam.org e-mail: vsc@sangam.org