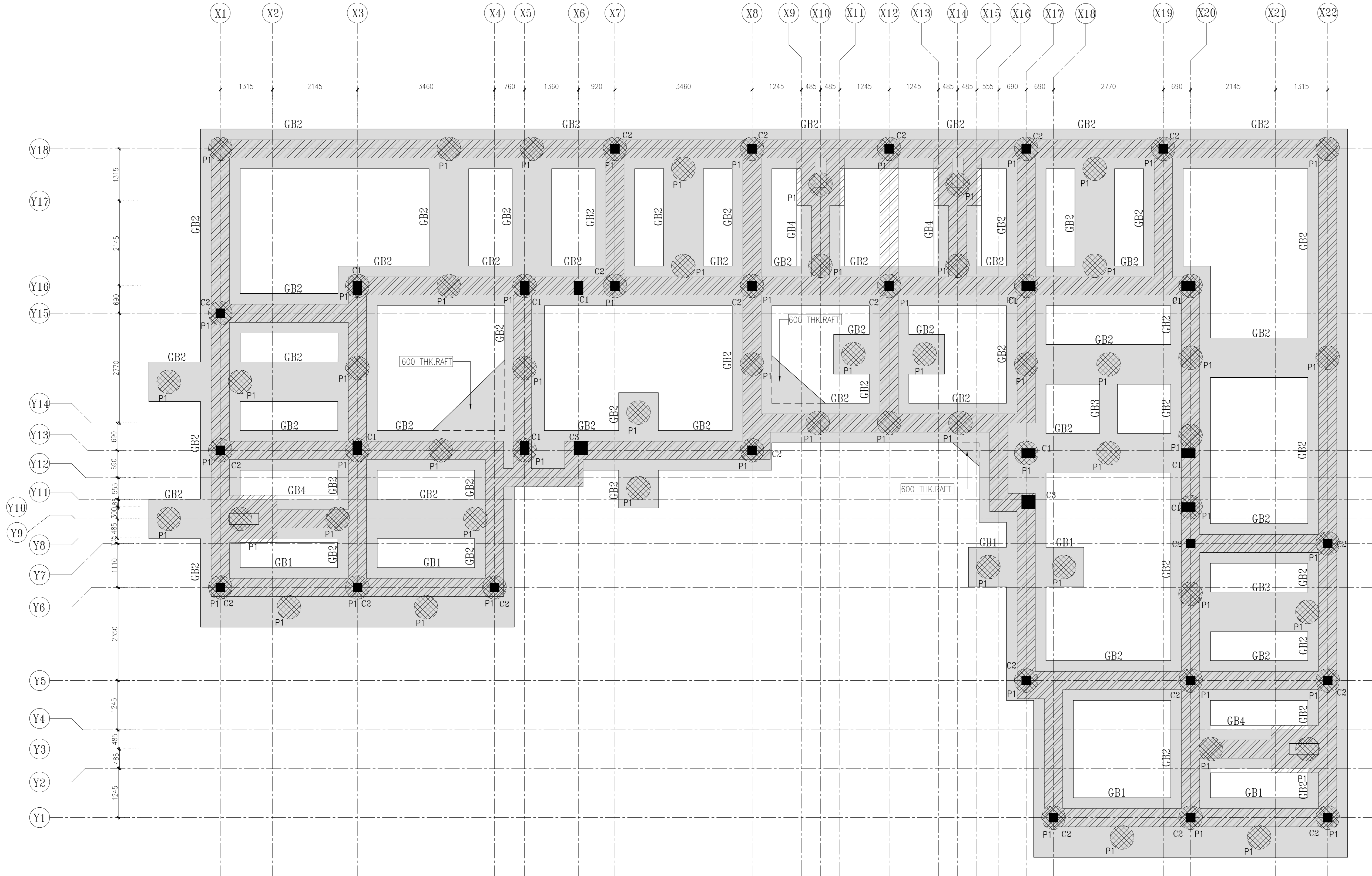


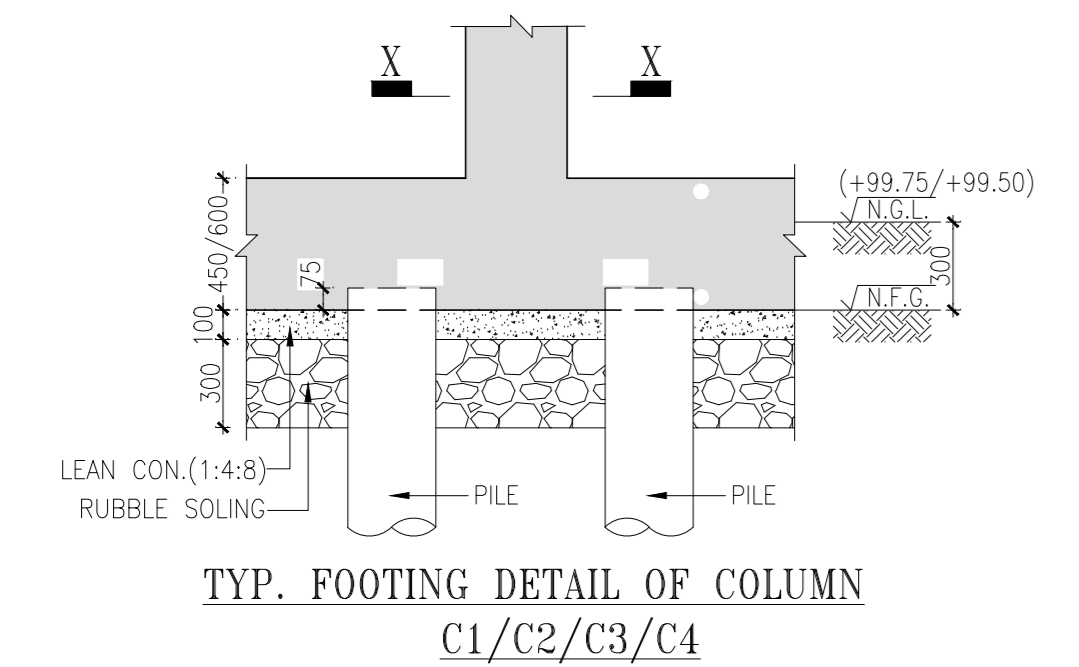
NOTES:	REMARKS
REFERENCE	ALL DIMENSIONS TO BE CHECKED AND CORRELATED WITH ALL RELATED DRAWINGS AND ANY AMBIGUITY SHALL BE IMMEDIATELY BROUGHT TO THE NOTICE OF THE ENGINEER BEFORE COMMENCEMENT OF THE WORK.
FOUNDATION	ALL DIMENSIONS ARE MM AND LEVELS ARE IN METERS.
FOUNDATION PILES	ALL DIMENSIONS ARE TO BE READ AND NOT TO BE MEASURED.
FOUNDATION PILES	PILE WORK TO BE DONE AS PER IS 2911-2010.
FOUNDATION PILES	INITIAL AND ROUTINE TEST OF PILES TO BE CARRIED OUT AS PER IS 2911 (Part-04)-1985.
FOUNDATION PILES	PIILING ON BOTH SIDES OF WALL WHEN REQUIRED SHALL BE BALANCED IN STAGES AND LAYOUTS.
MASONRY SPEC.	ALL MASONRY WALLS SHALL BE CONSTRUCTED FROM BURNT CLAY BRICKS UP TO SILL LEVEL WITH MIN. CRUSHING STRENGTH OF 7.5 N/mm ² ON GROSS AREA UNLESS OTHERWISE SPECIFIED.
MASONRY SPEC.	BRICK MASONRY SHALL BE BEDDED WITH CEMENT : SAND MORTAR IN PROPORTION OF 1:4 UNLESS OTHERWISE SPECIFIED.
MASONRY SPEC.	ALL GEB MASONRY WALLS SHALL BE CONSTRUCTED FROM COMPRESSED STABILIZED EARTH BLOCK WITH MIN. CRUSHING STRENGTH OF 7.5 N/mm ² ON GROSS AREA UNLESS OTHERWISE SPECIFIED.
MASONRY SPEC.	CEBR MASONRY SHALL BE BEDDED WITH CEMENT : SAND MORTAR IN PROPORTION OF 1:4 UNLESS OTHERWISE SPECIFIED.
MASONRY SPEC.	PROOF TEST IS RECOMMENDED TO ENSURE THE EFFICIENCY OF MASONRY WALL AGAINST COMPRESSED STABILIZED EARTH BLOCK.
CONC. SPEC.	ALL CONCRETE MIX M25 UNLESS OTHERWISE SPECIFIED.
REINFORCEMENT	Ø INDICATES TMT STEEL (Fe 500) OF YIELD STRENGTH 500 N/mm ² .
COVER	CLEAR COVER TO MAIN STEEL IS AS FOLLOWS: PILES : 50 mm PILE CAP : 80 mm GRADE BEAM : 30 mm FOOTINGS : 50 mm SOS & TOP : 50 mm BOTTOM : 50 mm COLUMNS & PEDESTALS : 40 mm BEAMS & LINTELS : 30 mm SLABS : 25 mm
LAP/ SPLICES	LAP LENGTH IS FIFTY TIMES BAR DIAMETER.
LEGENDS:	 COLUMN/WALL STARTS FROM THIS LEVEL. COLUMN/WALL STOPS AT THIS LEVEL.



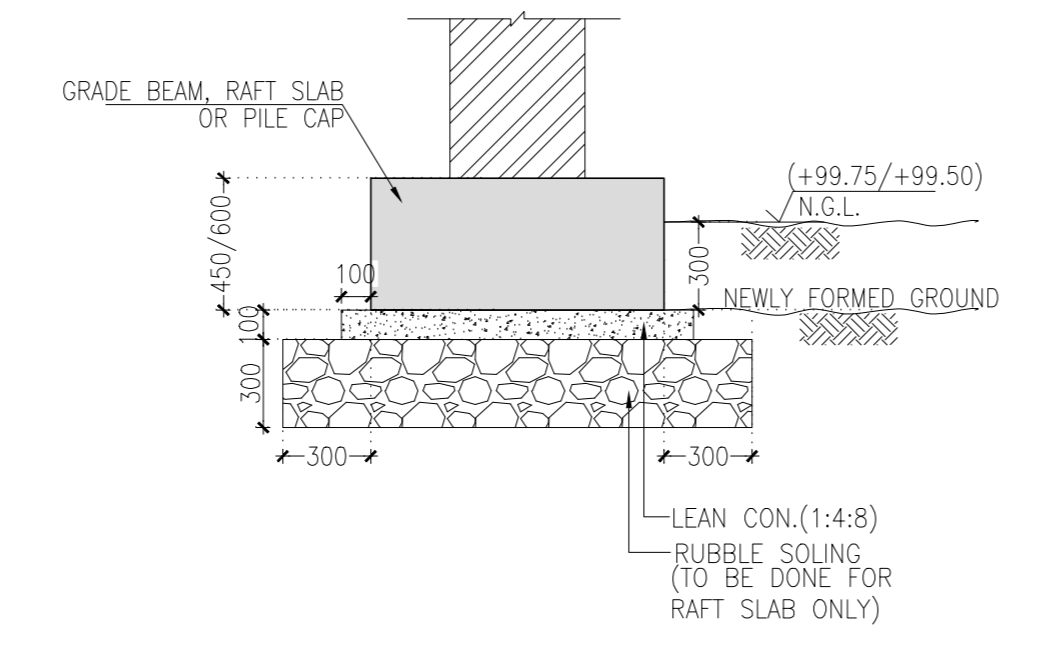
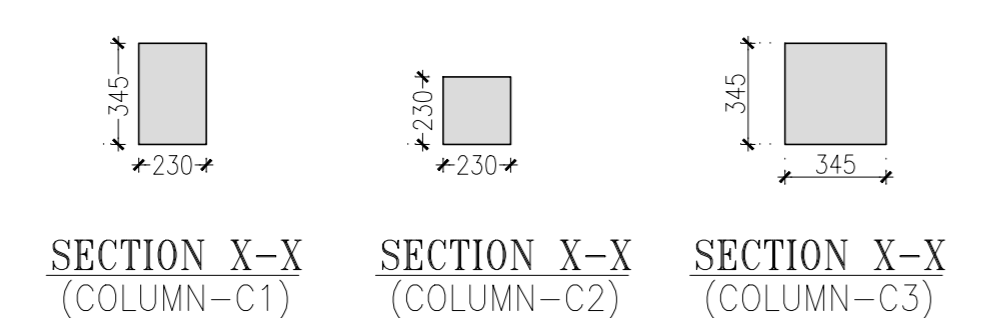
GRADE BEAM LAYOUT

COLUMN	SIZE
C1	230X345
C2	230X230
C3	345X345

BEAM	SIZE
GB1	1500X600
GB2	1000X600
GB3	450X600
GB4	1200X600



TYP. FOOTING DETAIL OF COLUMN C1/C2/C3/C4



TYPICAL SECTION OF GRADE BEAM, RAFT SLAB OR PILE CAP

FOR TENDER PURPOSE ONLY

No.	Date	Remarks

Date	Prints Issued to	Date	Prints Issued to

Distribution of Prints

- Consultants
- Structural Consultants
VINOD SHAH Consulting Engineers Pvt. Ltd.
 - Services Consultants
DBHMS
 - Landscape Consultants
Earthscapes Consultancy Pvt Ltd
 - Road and Pathways Consultants
Aahm Infra Consultants LLP

Project
Nalanda University, Rajgir, Bihar

Title
STRUCTURAL G.A. DRAWINGS OF GRADE BEAM LAYOUT & DETAILS FOR STUDENT HOUSING (TYPE-04)

Dealt : HS	Drawing No.
Checked : AJ	NUC-RSH - S - A.4.2
Date : 09/06/2016	