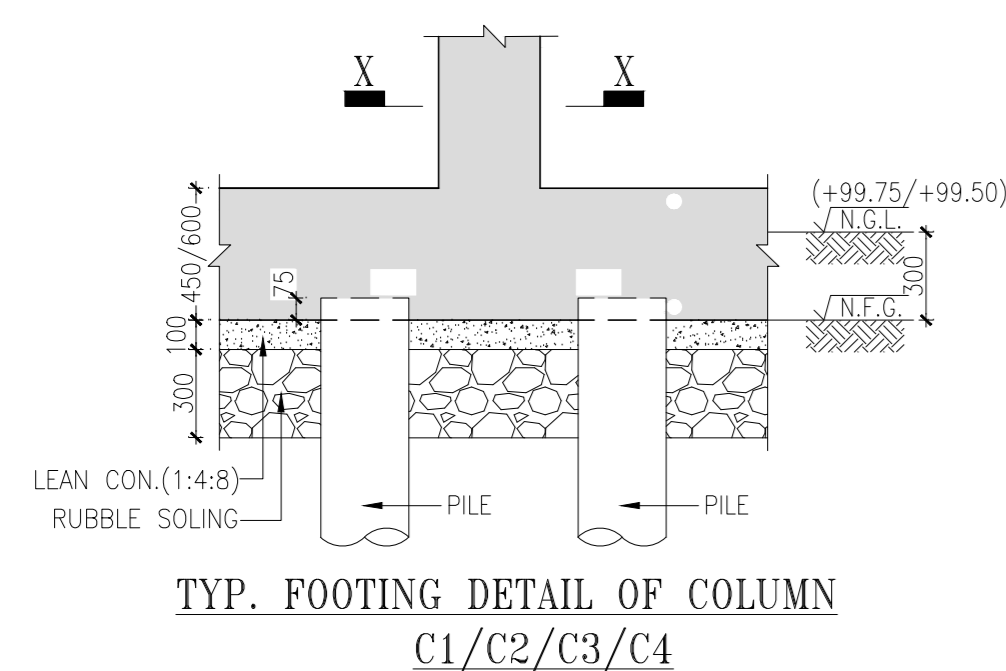


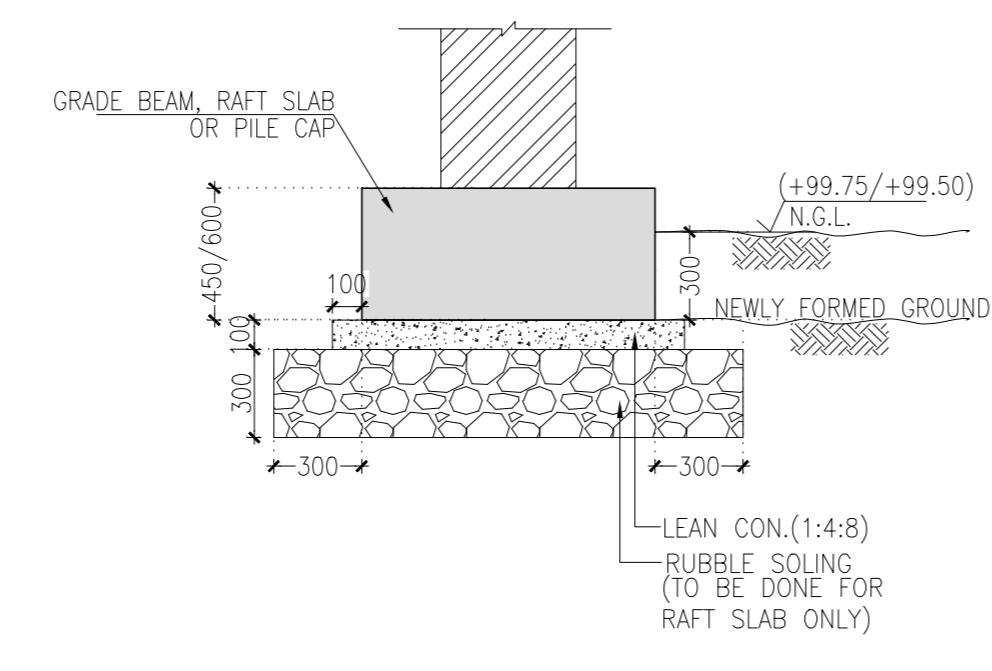
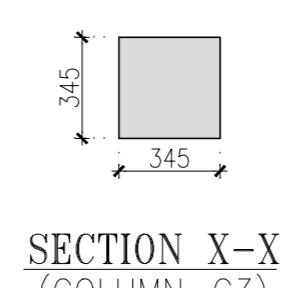
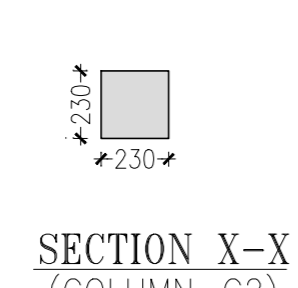
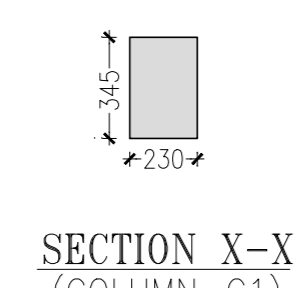
GRADE BEAM LAYOUT

| COLUMN SCHEDULE | |
|-----------------|---------|
| COLUMN | SIZE |
| C1 | 230x345 |
| C2 | 230x230 |
| C3 | 345x345 |

| GRADE BEAM SCHEDULE | |
|---------------------|----------|
| BEAM | SIZE |
| GB1 | 1000x600 |
| GB2 | 450x600 |
| GB3 | 1400x600 |
| GB4 | 1500x600 |



TYP. FOOTING DETAIL OF COLUMN C1/C2/C3/C4



TYPICAL SECTION OF GRADE BEAM, RAFT SLAB OR PILE CAP

THIS DRAWING IS THE PROPERTY OF VINOD SHAH Consulting Engineers Pvt. Ltd. AND NOT TO BE COPIED OR USED WITHOUT THEIR PERMISSION.

NOTES:

DETAIL: REMARKS

REFERENCE: ALL DIMENSIONS TO BE CHECKED AND CORRELATED WITH ALL RELATED DRAWINGS AND ANY AMBIGUITY SHALL BE IMMEDIATELY BROUGHT TO THE NOTICE OF THE ENGINEER BEFORE COMMENCEMENT OF THE WORK.

FOUNDATION: ALL DIMENSIONS ARE MM AND LEVELS ARE IN METERS. ALL DIMENSIONS ARE TO BE READ AND NOT TO BE MEASURED.

PILE: INITIAL AND ROUTINE TEST OF PILES TO BE CARRIED OUT AS PER IS 2911 (Part-04)-1985 IS 2911-2010.

MASONRY SPEC: ALL MASONRY WALLS SHALL BE CONSTRUCTED FROM BURNED CLAY BRICKS UP TO SILL LEVEL WITH MIN. CRUSHING STRENGTH OF 7.5 N/mm² ON GROSS AREA UNLESS OTHERWISE SPECIFIED. BRICK MASONRY SHALL BE BEDDED WITH CEMENT : SAND MORTAR IN PROPORTION OF 1:4 UNLESS OTHERWISE SPECIFIED.

CEILING SPEC: ALL CEILING MASONRY WALLS SHALL BE CONSTRUCTED FROM COMPRESSED STABILIZED EARTH BLOCK WITH MIN. CRUSHING STRENGTH OF 7.5 N/mm² ON GROSS AREA UNLESS OTHERWISE SPECIFIED. CEILING MASONRY SHALL BE BEDDED WITH CEMENT : SAND MORTAR IN PROPORTION OF 1:4 UNLESS OTHERWISE SPECIFIED. BROWN TEST IS RECOMMENDED TO ENSURE THE EFFICIENCY OF MASONRY WALL AGAINST COMPRESSED STABILIZED EARTH BLOCK.

CONC. SPEC: ALL CONCRETE MIX W/CS UNLESS OTHERWISE SPECIFIED.

REINFORCEMENT: * INDICATES TMT STEEL (Fe 500S) OF YIELD STRENGTH 500 N/mm².

COVER: CLEAR COVER TO MAIN STEEL IS AS FOLLOWS:
 PILES : 50 mm
 PILE CAP : 80 mm
 GRADE BEAM : 30 mm
 FOOTINGS : 50 mm
 DECK & TOP BOTTOM : 50 mm
 COLUMNS & PEDESTALS : 40 mm
 BEAMS & LINTELS : 30 mm
 SLABS : 25 mm

BAR/PIECES: LAP LENGTH IS FIFTY TIMES BAR DIAMETER.

LEGENDS:
 [Symbol] COLUMN/WALL STARTS FROM THIS LEVEL.
 [Symbol] COLUMN/WALL STOPS AT THIS LEVEL.

FOR TENDER PURPOSE ONLY

| No. | Date | Remarks |
|-----|------|---------|
| | | |

Revisions

| Date | Prints Issued to | Date | Prints Issued to |
|------|------------------|------|------------------|
| | | | |

Distribution of Prints

Consultants

- Structural Consultants
VINOD SHAH Consulting Engineers Pvt. Ltd.
- Services Consultants
DBHMS
- Landscape Consultants
Earthscapes Consultancy Pvt Ltd
- Road and Pathways Consultants
Aahmm Infra Consultants LLP

Project
Nalanda University, Rajgir, Bihar

Title
STRUCTURAL G.A. DRAWINGS OF GRADE BEAM LAYOUT & DETAILS FOR STUDENT HOUSING (TYPE-07)

Dealt : HS
Checked : AJ
Date : 09/06/2016

Drawing No.
NUC-RSH - S - A.7.2

VASTU SHILPA CONSULTANTS
Architects | Planners | Urban Designers

Sangam, Thaha Road, Arhmadaab, 380054
Phone: 079-27454537 Fax: 079-27452006
www.sangam.org e-mail: vsc@sangam.org