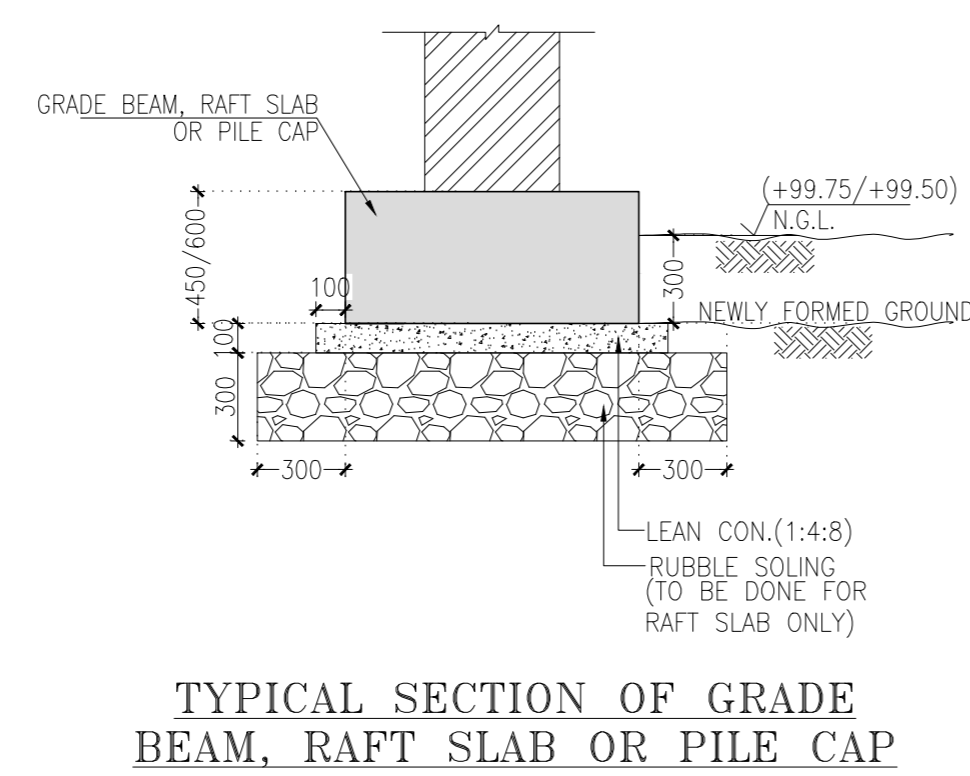
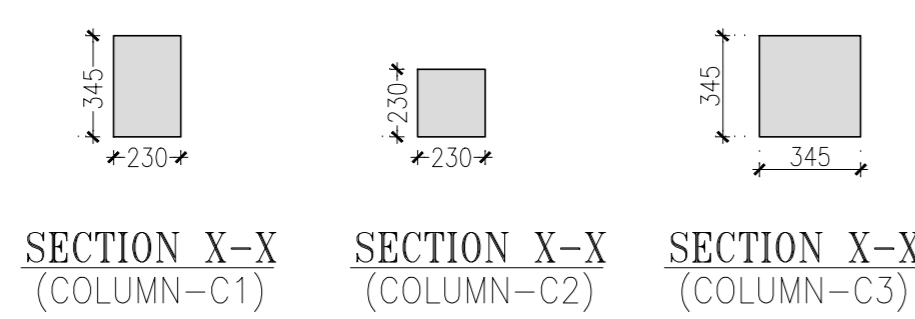
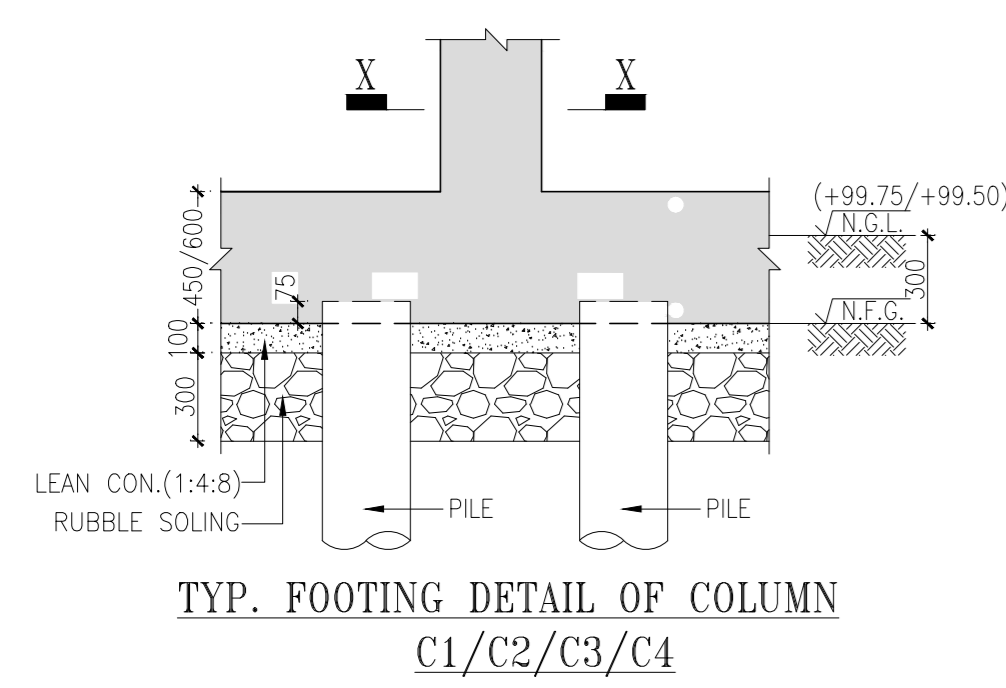


GRADE BEAM LAYOUT

COLUMN SCHEDULE		GRADE BEAM SCHEDULE	
COLUMN	SIZE	BEAM	SIZE
C1	230X345	GB1	600X600
C2	230X230	GB2	450X600
C3	345X345	GB3	1200X600



THIS DRAWING IS THE PROPERTY OF VINOD SHAH Consulting Engineers Pvt. Ltd. AND NOT TO BE COPIED OR USED WITHOUT THEIR PERMISSION.

DETAIL	REMARKS
REFERENCE	ALL DIMENSIONS TO BE CHECKED AND CORRELATED WITH ALL RELATED DRAWINGS AND ANY AMBIGUITY SHALL BE IMMEDIATELY BROUGHT TO THE NOTICE OF THE ENGINEERS BEFORE COMMENCEMENT OF THE WORK.
FOUNDATION PILES	ALL DIMENSIONS ARE MM AND LEVELS ARE IN METERS. ALL DIMENSIONS ARE TO BE READ AND NOT TO BE MEASURED. PILE WORK TO BE DONE AS PER IS 2911-2010 INITIAL AND ROUTINE TEST OF PILES TO BE CARRIED OUT AS PER IS 2911 (Part-04)-1985 FILING ON BOTH SIDES OF WALL WHEN REQUIRED SHALL BE BALANCED IN STAGES AND LAYERS.
MASONRY SPEC.	ALL MASONRY WALLS SHALL BE CONSTRUCTED FROM BURNT CLAY BRICKS UP TO SILL LEVEL WITH MIN. COMPRESSIVE STRENGTH OF 7.5 N/mm ² ON GROSS AREA UNLESS OTHERWISE SPECIFIED. BRICK MASONRY SHALL BE BEDDED WITH CEMENT : SAND MORTAR IN PROPORTION OF 1:4 UNLESS OTHERWISE SPECIFIED.
CEB BLOCK MASONRY SPEC.	ALL CEB BLOCK MASONRY WALLS SHALL BE CONSTRUCTED FROM COMPRESSED STABILIZED EARTH BLOCK WITH MIN. COMPRESSIVE STRENGTH OF 7.5 N/mm ² ON GROSS AREA UNLESS OTHERWISE SPECIFIED. CEB MASONRY SHALL BE BEDDED WITH CEMENT : SAND MORTAR IN PROPORTION OF 1:4 UNLESS OTHERWISE SPECIFIED. BROOM TEST IS RECOMMENDED TO ENSURE THE EFFICIENCY OF MASONRY WALL AGAINST COMPRESSED STABILIZED EARTH BLOCK.
CONC. SPEC.	ALL CONCRETE MIX M25 UNLESS OTHERWISE SPECIFIED.
REINFORCEMENT	INDICATES TMT STEEL (Fe 500) OF YIELD STRENGTH 500 N/mm ²
COVER	CLEAR COVER TO MAIN STEEL IS AS FOLLOWS: PILES : 50 mm PILE CAP : 80 mm GRADE BEAM : 30 mm FOOTINGS : 50 mm SOLES & TOP BOTTOM : 50 mm COLUMNS & PEDESTALS : 40 mm BEAMS & LINTELS : 30 mm SLABS : 25 mm LAP LENGTH IS FIFTY TIMES BAR DIAMETER
LEGENDS:	<ul style="list-style-type: none"> COLUMN/WALL STARTS FROM THIS LEVEL. COLUMN/WALL STOPS AT THIS LEVEL.

FOR TENDER PURPOSE ONLY

No.	Date	Remarks

- Consultants
- Structural Consultants
VINOD SHAH Consulting Engineers Pvt. Ltd.
 - Services Consultants
DBHMS
 - Landscape Consultants
Earthscapes Consultancy Pvt Ltd
 - Road and Pathways Consultants
Aahm Infra Consultants LLP

Project
Nalanda University, Rajgir, Bihar

Title
STRUCTURAL G.A. DRAWINGS OF GRADE BEAM LAYOUT & DETAILS FOR STUDENT HOUSING (TYPE-09)

Dealt : HS Drawing No.
Checked : AJ NUC-RSH - S - A.9.2
Scale : 1:50, 1:25
Date : 09/06/2016

VASTU SHILPA CONSULTANTS
Architects | Planners | Urban Designers
Sangam, Thaha Road, Ahmedabad - 380054
Phone: 079-27454537 Fax: 079-27452006
www.sangam.org e-mail: vsc@sangam.org