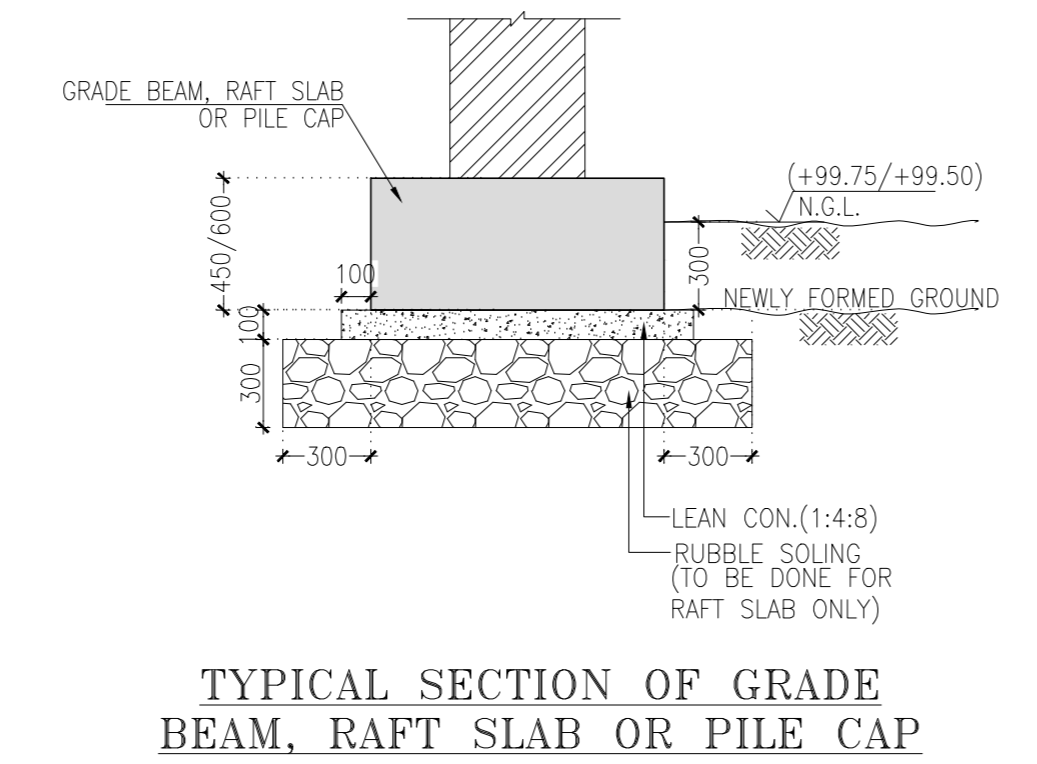
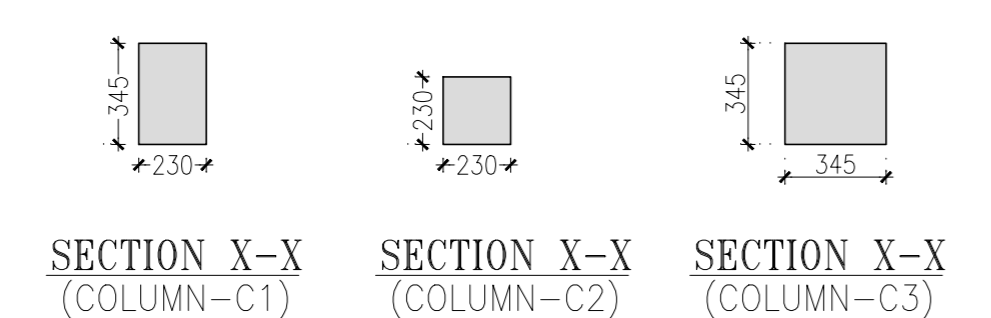
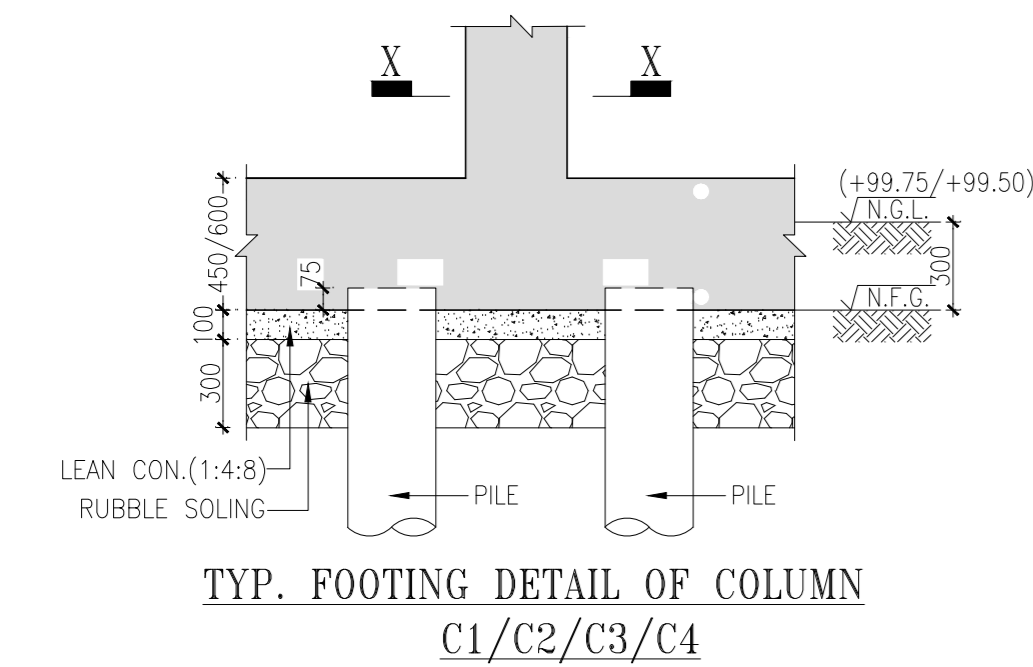


COLUMN SCHEDULE

COLUMN	SIZE
C1	230x345
C2	230x230
C3	345x345

GRADE BEAM SCHEDULE

BEAM	SIZE
GB1	1500x600
GB2	1000x600
GB3	450x600
GB4	1200x600



NOTES:

REFERENCE: ALL DIMENSIONS TO BE CHECKED AND CORRELATED WITH ALL RELATED DRAWINGS AND ANY AMBIGUITY SHALL BE IMMEDIATELY BROUGHT TO THE NOTICE OF THE ENGINEER BEFORE COMMENCEMENT OF THE WORK.

FOUNDATION: ALL DIMENSIONS ARE MM AND LEVELS ARE IN METERS. ALL DIMENSIONS ARE TO BE READ AND NOT TO BE MEASURED.

PILES: PILING WORK TO BE DONE AS PER IS 2911-2010. INITIAL AND ROUTINE TEST OF PILES TO BE CARRIED OUT AS PER IS 2911 (Part-04)-1985. FILING ON BOTH SIDES OF WALL WHEN REQUIRED SHALL BE BALANCED IN STAGES AND LEVELS.

MASONRY SPEC: ALL MASONRY WALLS SHALL BE CONSTRUCTED FROM BURNT CLAY BRICKS UP TO SILL LEVEL WITH MIN. CRUSHING STRENGTH OF 7.5 N/mm² ON GROSS AREA UNLESS OTHERWISE SPECIFIED. BRICK MASONRY SHALL BE BEDDED WITH CEMENT : SAND MORTAR IN PROPORTION OF 1:4 UNLESS OTHERWISE SPECIFIED.

CEB BLOCK MASONRY: ALL CEB MASONRY WALLS SHALL BE CONSTRUCTED FROM COMPRESSED STABILIZED EARTH BLOCK WITH MIN. CRUSHING STRENGTH OF 7.5 N/mm² ON GROSS AREA UNLESS OTHERWISE SPECIFIED. CEB MASONRY SHALL BE BEDDED WITH CEMENT : SAND MORTAR IN PROPORTION OF 1:4 UNLESS OTHERWISE SPECIFIED. PROOF TEST IS RECOMMENDED TO ENSURE THE EFFICIENCY OF MASONRY WALL AGAINST COMPRESSED STABILIZED EARTH BLOCK.

CONC. SPEC: ALL CONCRETE MIX W/CS UNLESS OTHERWISE SPECIFIED.

REINFORCEMENT: # INDICATES TMT STEEL (Fe 500C) OF YIELD STRENGTH 500 N/mm².

COVER: CLEAR COVER TO MAIN STEEL IS AS FOLLOWS:
 PILES : 50 mm
 PILE CAP : 80 mm
 GRADE BEAM : 30 mm
 FOOTINGS : 50 mm
 DECK & TOP BOTTOM : 50 mm
 COLUMNS & PEDESTALS : 40 mm
 BEAMS & LINTELS : 30 mm
 SLABS : 25 mm

LAP/ SPLICES: LAP LENGTH IS FIFTY TIMES BAR DIAMETER.

LEGENDS:
 [Symbol] COLUMN/WALL STARTS FROM THIS LEVEL.
 [Symbol] COLUMN/WALL STOPS AT THIS LEVEL.

FOR TENDER PURPOSE ONLY

No.	Date	Remarks

- Consultants**
- **Structural Consultants**
VINOD SHAH Consulting Engineers Pvt. Ltd.
 - **Services Consultants**
DBHMS
 - **Landscape Consultants**
Earthscapes Consultancy Pvt Ltd
 - **Road and Pathways Consultants**
Aahmm Infra Consultants LLP

Project
Nalanda University, Rajgir, Bihar

Title
STRUCTURAL G.A. DRAWINGS OF GRADE BEAM LAYOUT & DETAILS FOR STUDENT HOUSING (TYPE-02)

Dealt : HS **Drawing No.** NUC-RSH-S-A.2.2
Checked : AJ
Scale : 1:50, 1:25
Date : 09/06/2016

VASTU SHILPA CONSULTANTS
Architects | Planners | Urban Designers

Sangam, Thaha Road, Arrah, Bihar - 800504
 Phone: 079-27454537 Fax: 079-27452006
 www.sangam.org e-mail: vsc@sangam.org