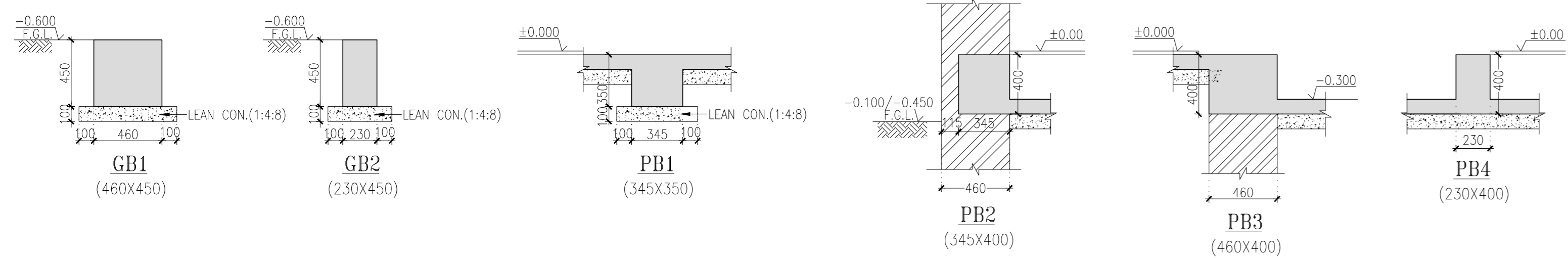
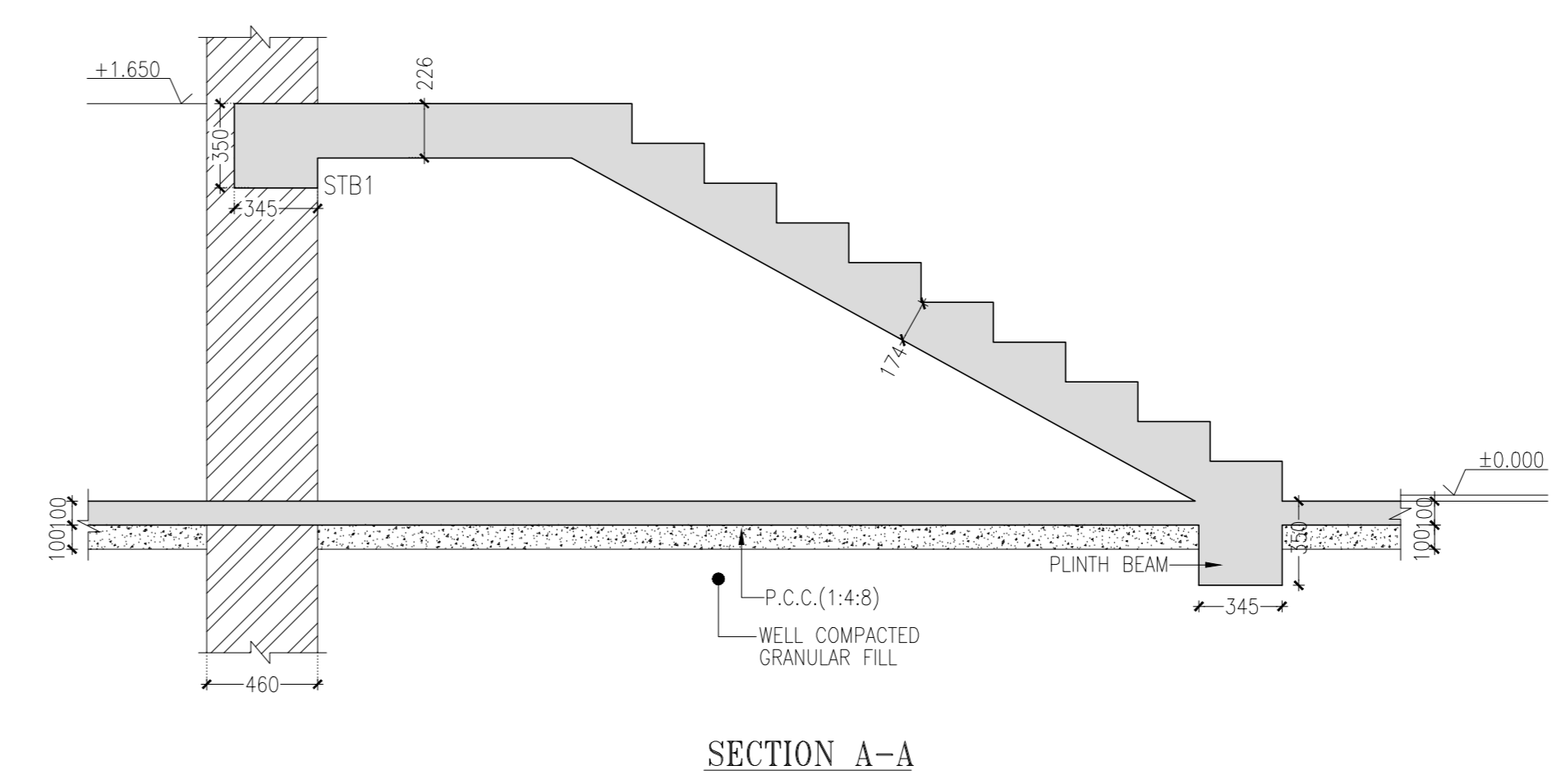
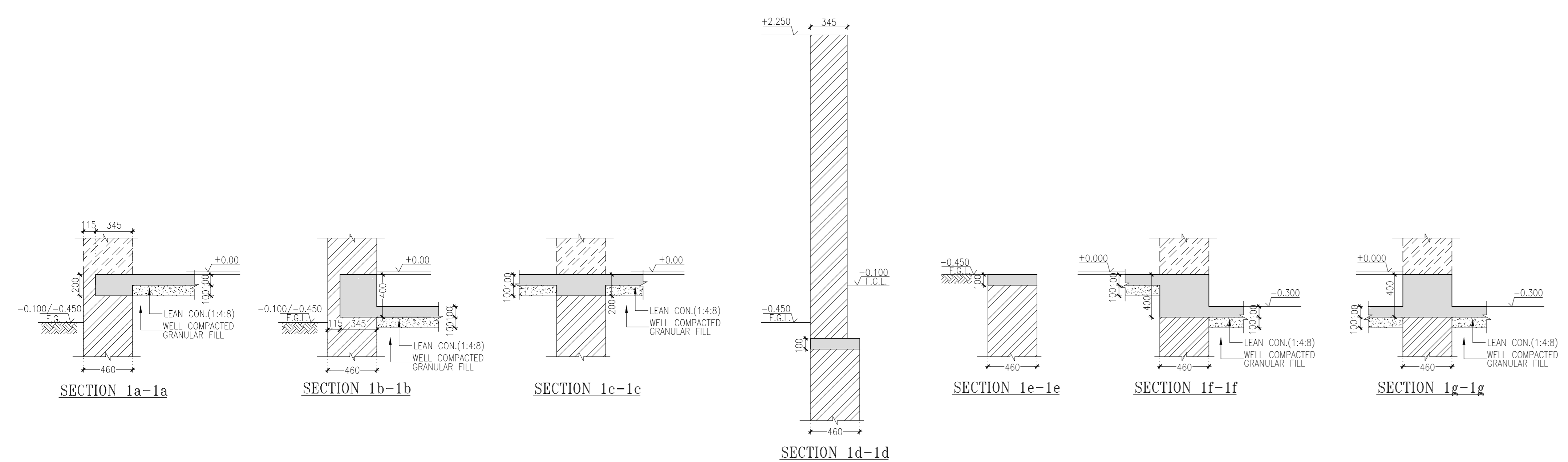


PLINTH PLAN AT ±0.00M LVL



COLUMN	SIZE
C1	230X345
C2	230X230
C3	345X345

BEAM	SIZE
GB1	460X450
GB2	230X450
PB1	345X350
PB2	345X400
PB3	460X400
PB4	230X450



SECTION A-A

THIS DRAWING IS THE PROPERTY OF VINOD SHAH Consulting Engineers Pvt. Ltd. AND NOT TO BE COPIED OR USED WITHOUT THEIR PERMISSION.

NOTES:

DETAIL: REMARKS

REFERENCE: ALL DIMENSIONS TO BE CHECKED AND CORRELATED WITH ALL RELATED DRAWINGS AND ANY AMBIGUITY SHALL BE IMMEDIATELY BROUGHT TO THE NOTICE OF THE ENGINEER BEFORE COMMENCEMENT OF THE WORK.

DIMENSION: ALL DIMENSIONS ARE IN METERS. ALL DIMENSIONS ARE TO BE READ AND NOT TO BE MEASURED.

MASONRY SPEC: ALL MASONRY WALLS SHALL BE CONSTRUCTED FROM BURNT CLAY BRICKS UP TO SLAB LEVEL WITH MIN. COMPRESSIVE STRENGTH OF 7.5 N/mm² ON GROSS AREA UNLESS OTHERWISE SPECIFIED. BRICK MASONRY SHALL BE BEDDED WITH CEMENT : SAND MORTAR IN PROPORTION OF 1:4 UNLESS OTHERWISE SPECIFIED.

CEILING SPEC: ALL CEILING MASONRY WALLS SHALL BE CONSTRUCTED FROM COMPRESSED STABILIZED EARTH BLOCK WITH MIN. COMPRESSIVE STRENGTH OF 7.5 N/mm² ON GROSS AREA UNLESS OTHERWISE SPECIFIED. PRISM TEST IS RECOMMENDED TO ENSURE THE EFFICIENCY OF MASONRY WALL AGAINST COMPRESSED STABILIZED EARTH BLOCK.

CONC. SPEC: ALL CONCRETE MIX W/CS UNLESS OTHERWISE SPECIFIED.

REINFORCEMENT: R INDICATES TMT STEEL (Fe 500) OF YIELD STRENGTH 500 N/mm².

COVER: CLEAR COVER TO MAIN STEEL IS AS FOLLOWS:
 PILES : 50 mm
 PILE CAP : 40 mm
 GRADE BEAM : 30 mm
 FOOTINGS : 50 mm
 TOP : 50 mm
 BOTTOM : 50 mm
 COLUMNS & PEDESTALS : 40 mm
 BEAMS & LATELS : 30 mm
 SLABS : 25 mm

LEGNDS:
 [Symbol] COLUMN/WALL STARTS FROM THIS LEVEL.
 [Symbol] COLUMN/WALL STOPS AT THIS LEVEL.

FOR TENDER PURPOSE ONLY

No.	Date	Remarks

Revisions

Date	Prints Issued to	Date	Prints Issued to

Distribution of Prints

Consultants

- Structural Consultants: VINOD SHAH Consulting Engineers Pvt. Ltd.
- Services Consultants: DBHMS
- Landscape Consultants: Earthscapes Consultancy Pvt Ltd
- Road and Pathways Consultants: Arhmm Infra Consultants LLP

Project: Nalanda University, Rajgir, Bihar

Title: STRUCTURAL G.A. DRAWINGS OF PLINTH PLAN & DETAILS FOR STUDENT HOUSING (TYPE-04)

Drawn: HS
 Checked: AJ
 Date: 09/06/2016

Scale: 1:50, 1:25
 Drawing No.: NUC-RSH-S-A.4.3

VASTU SHILPA CONSULTANTS
 Architects | Planners | Urban Designers

Sangam, Thaha Road, Arrah, Bihar - 805054
 Phone: 079-27454537 Fax: 079-27452006
 www.sangam.org e-mail: vsc@sangam.org