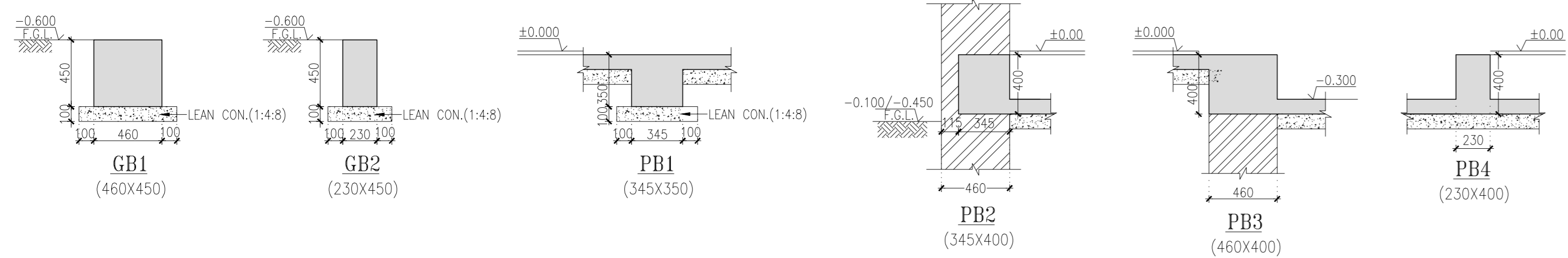
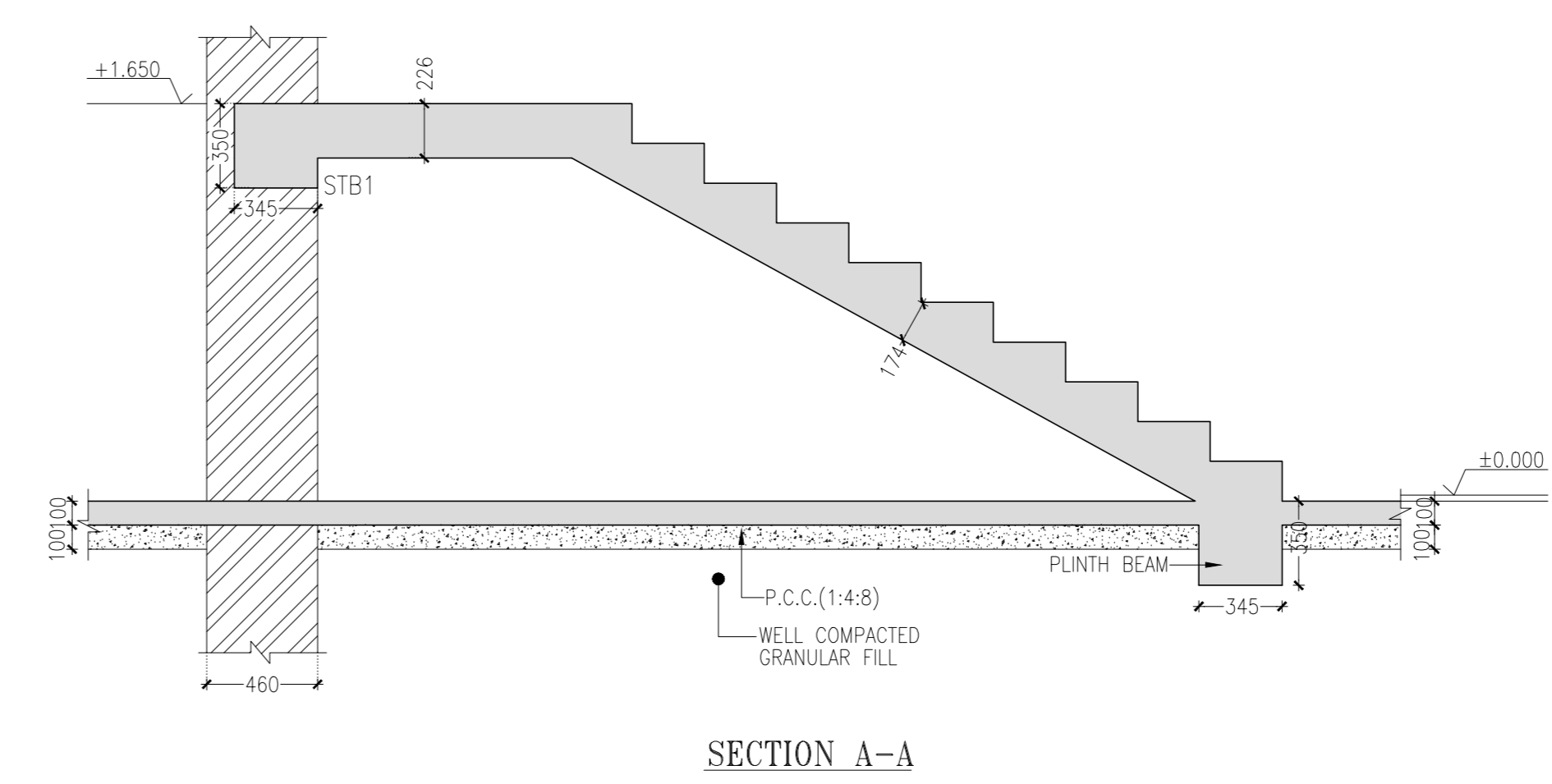
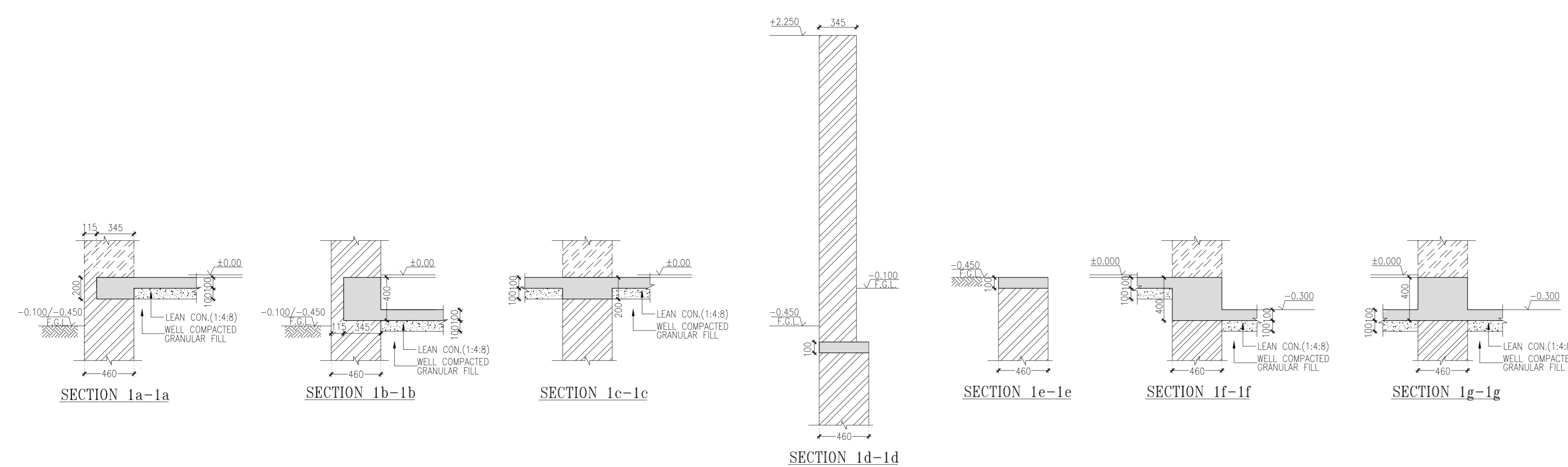


PLINTH PLAN AT ±0.00M LVL



COLUMN	SIZE
C1	230X345
C2	230X230
C3	345X345

BEAM	SIZE
GB1	460X450
GB2	230X450
PB1	345X350
PB2	345X400
PB3	460X400
PB4	230X450



SECTION A-A

THIS DRAWING IS THE PROPERTY OF VINOD SHAH Consulting Engineers Pvt. Ltd. AND NOT TO BE COPIED OR USED WITHOUT THEIR PERMISSION.

NOTES:

REFERENCE: ALL DIMENSIONS TO BE CHECKED AND CORRELATED WITH ALL RELATED DRAWINGS AND ANY AMBIGUITY SHALL BE IMMEDIATELY BROUGHT TO THE NOTICE OF THE ENGINEER BEFORE COMMENCEMENT OF THE WORK.

DIMENSION: ALL DIMENSIONS ARE IN METERS. ALL DIMENSIONS ARE TO BE READ AND NOT TO BE MEASURED.

MASONRY SPEC: ALL MASONRY WALLS SHALL BE CONSTRUCTED FROM BURNT CLAY BRICKS UP TO SLAB LEVEL WITH MIN. COMPRESSIVE STRENGTH OF 7.5 N/mm² ON GROSS AREA UNLESS OTHERWISE SPECIFIED. BRICK MASONRY SHALL BE BEDDED WITH CEMENT - SAND MORTAR IN PROPORTION OF 1:4 UNLESS OTHERWISE SPECIFIED. OTHER MASONRY SHALL BE BEDDED WITH CEMENT - SAND MORTAR IN PROPORTION OF 1:4 UNLESS OTHERWISE SPECIFIED. PRISM TEST IS RECOMMENDED TO ENSURE THE EFFICIENCY OF MASONRY WALL AGAINST COMPRESSED STABILIZED EARTH BLOCK.

CONC. SPEC: ALL CONCRETE MIX W/CS UNLESS OTHERWISE SPECIFIED.

REINFORCEMENT: R INDICATES TMT STEEL (Fe 500) OF YIELD STRENGTH 500 N/mm².

COVER: CLEAR COVER TO MAIN STEEL IS AS FOLLOWS:
 PILES : 50 mm
 PILE CAP : 40 mm
 GRADE BEAM : 30 mm
 FOOTINGS : 50 mm
 TOP : 50 mm
 BOTTOM : 50 mm
 COLUMNS & PEDESTALS : 40 mm
 BEAMS & LINTELS : 30 mm
 SLABS : 25 mm

LEGNDS:
 [Symbol] COLUMN/WALL STARTS FROM THIS LEVEL.
 [Symbol] COLUMN/WALL STOPS AT THIS LEVEL.

FOR TENDER PURPOSE ONLY

No.	Date	Remarks

- Consultants
- Structural Consultants
VINOD SHAH Consulting Engineers Pvt. Ltd.
 - Services Consultants
DBHMS
 - Landscape Consultants
Earthscapes Consultancy Pvt Ltd
 - Road and Pathways Consultants
Aahm Infra Consultants LLP

Project
Nalanda University, Rajgir, Bihar

Title
STRUCTURAL G.A. DRAWINGS OF PLINTH PLAN & DETAILS FOR STUDENT HOUSING (TYPE-07)

Drawn by: HS
Checked by: AJ
Date: 09/06/2016

Drawing No.: NUC-RSH-S-A-7.3

VASTU SHILPA CONSULTANTS
Architects | Planners | Urban Designers

Sangam, Thaha Road, Arrah, Bihar - 800504
Phone: 079-27454537 Fax: 079-27452006
www.sangam.org e-mail: vsc@sangam.org