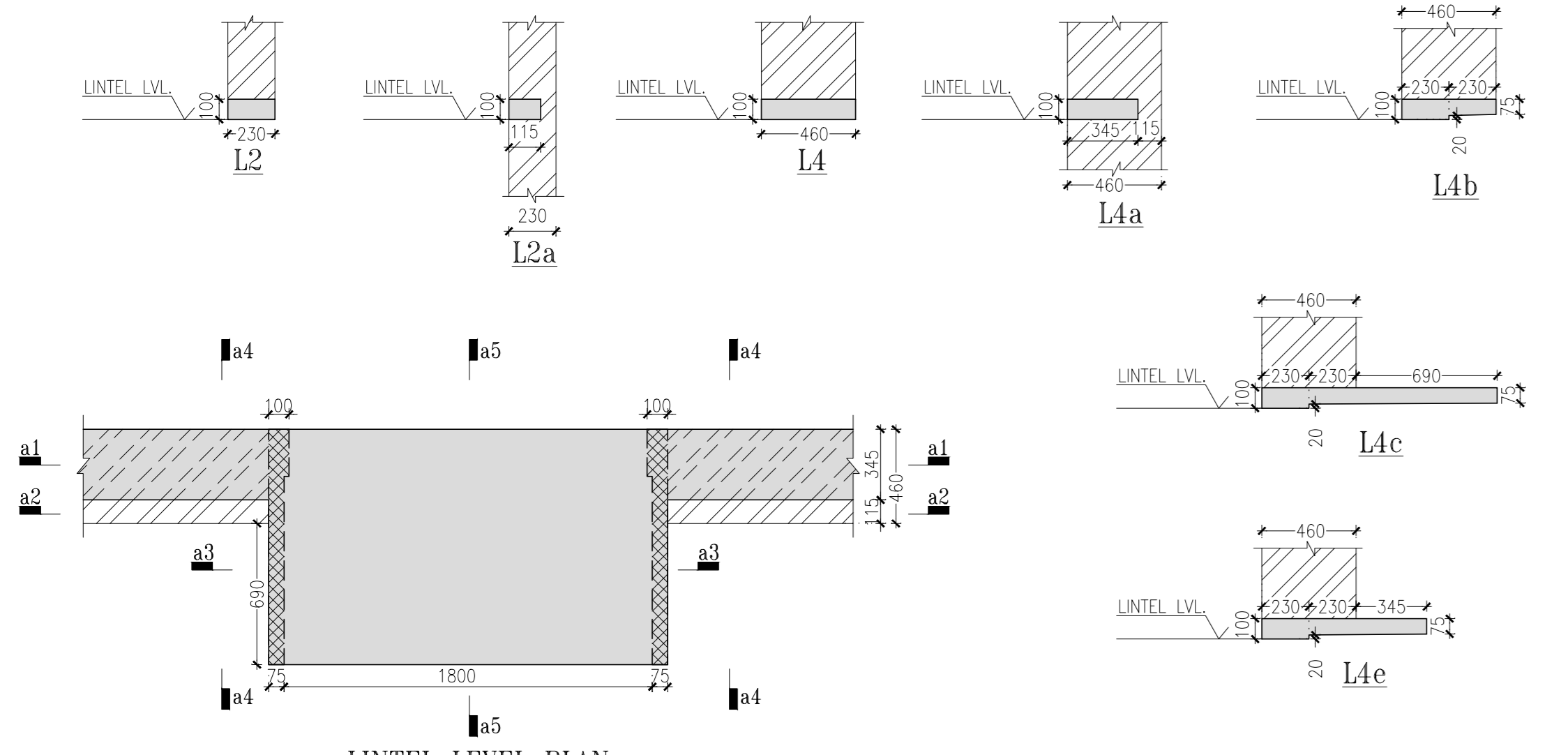
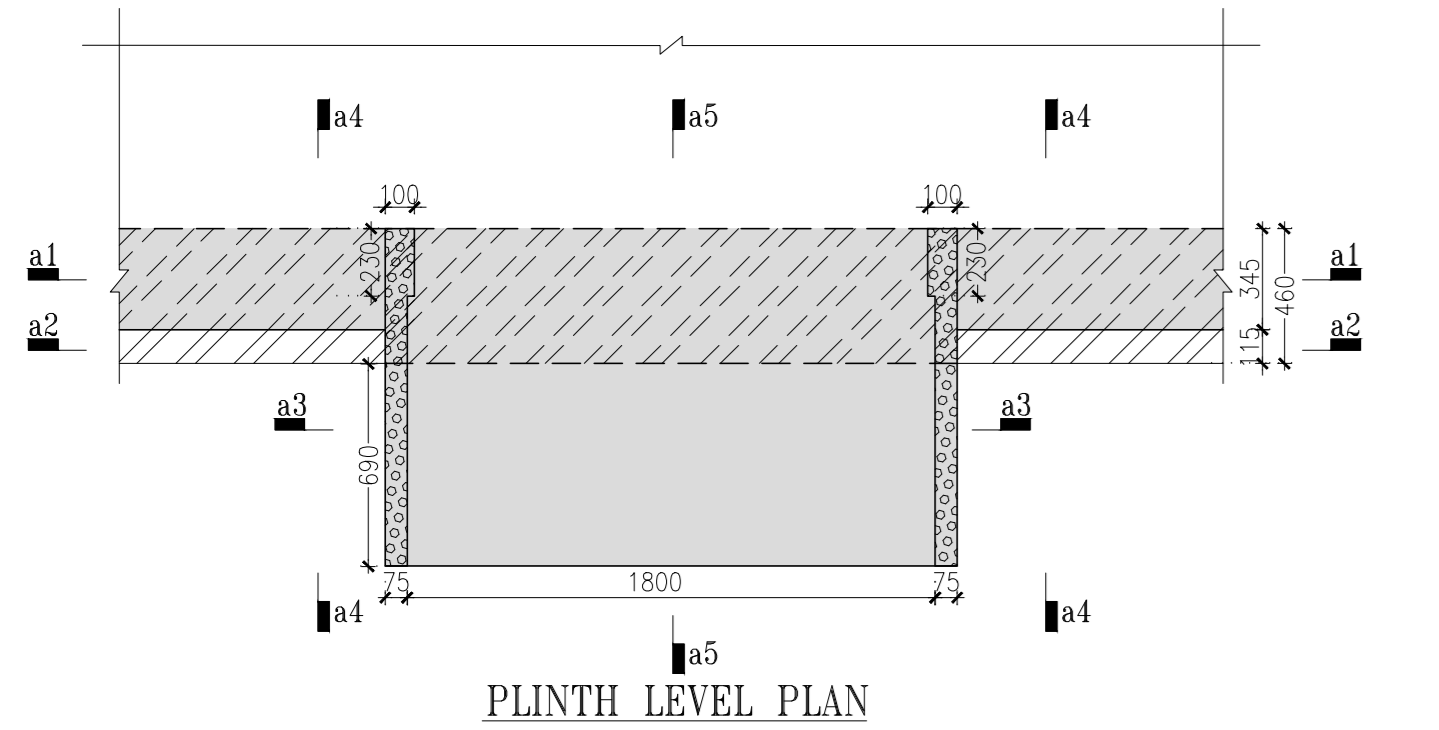


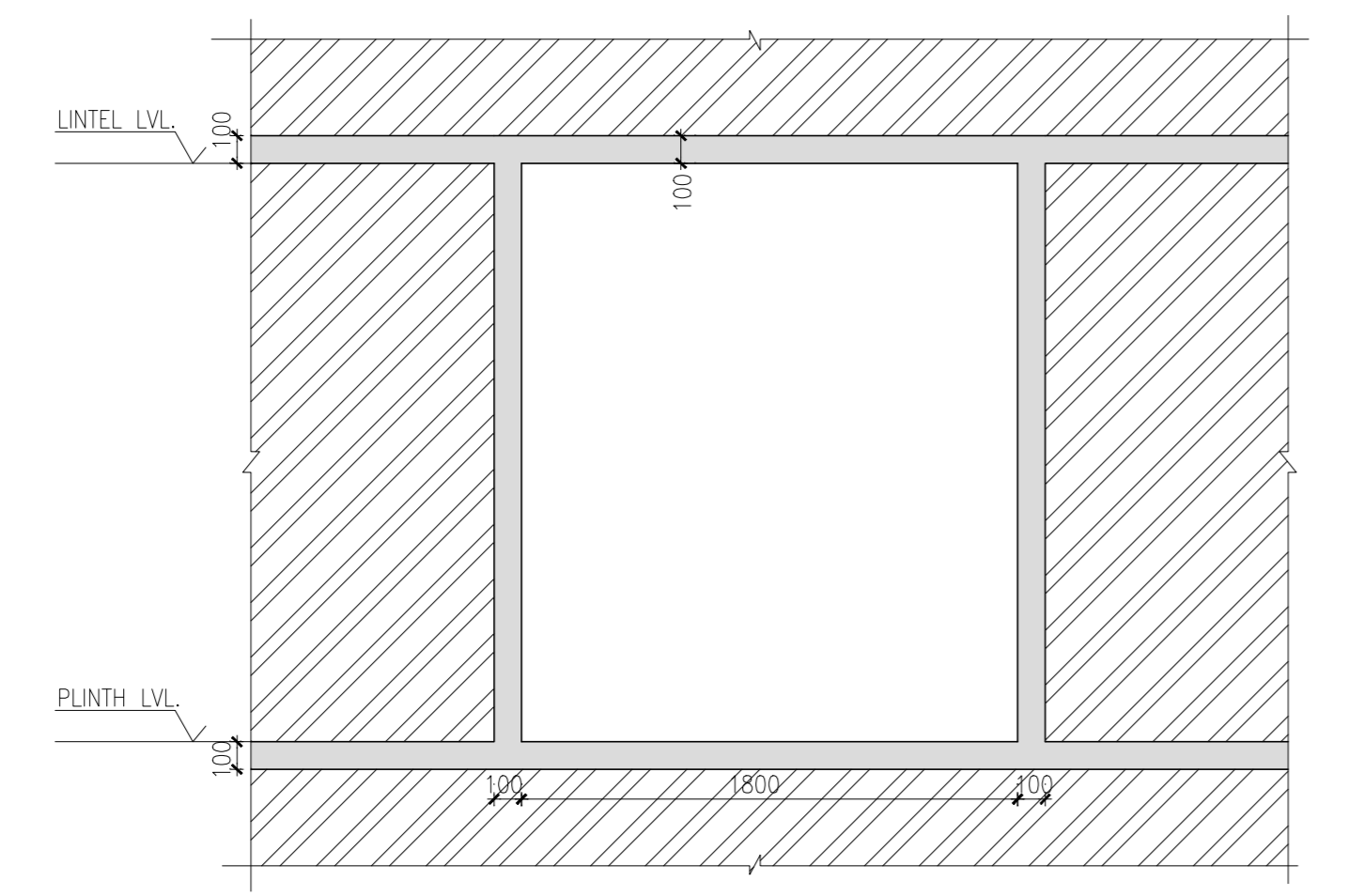
GROUND FLOOR LINTEL PLAN



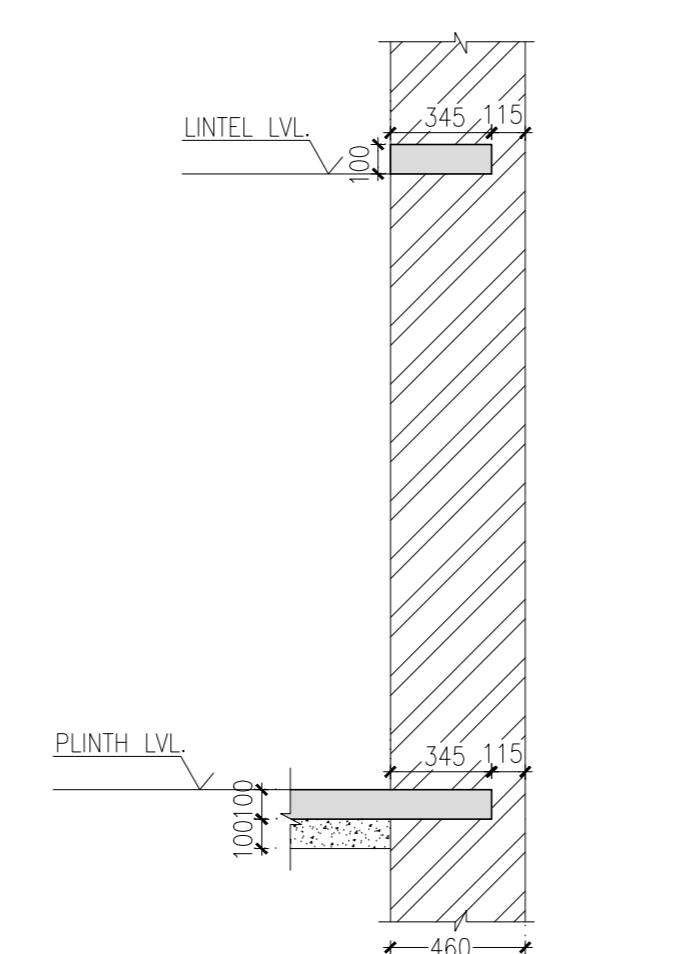
LINTEL LEVEL PLAN



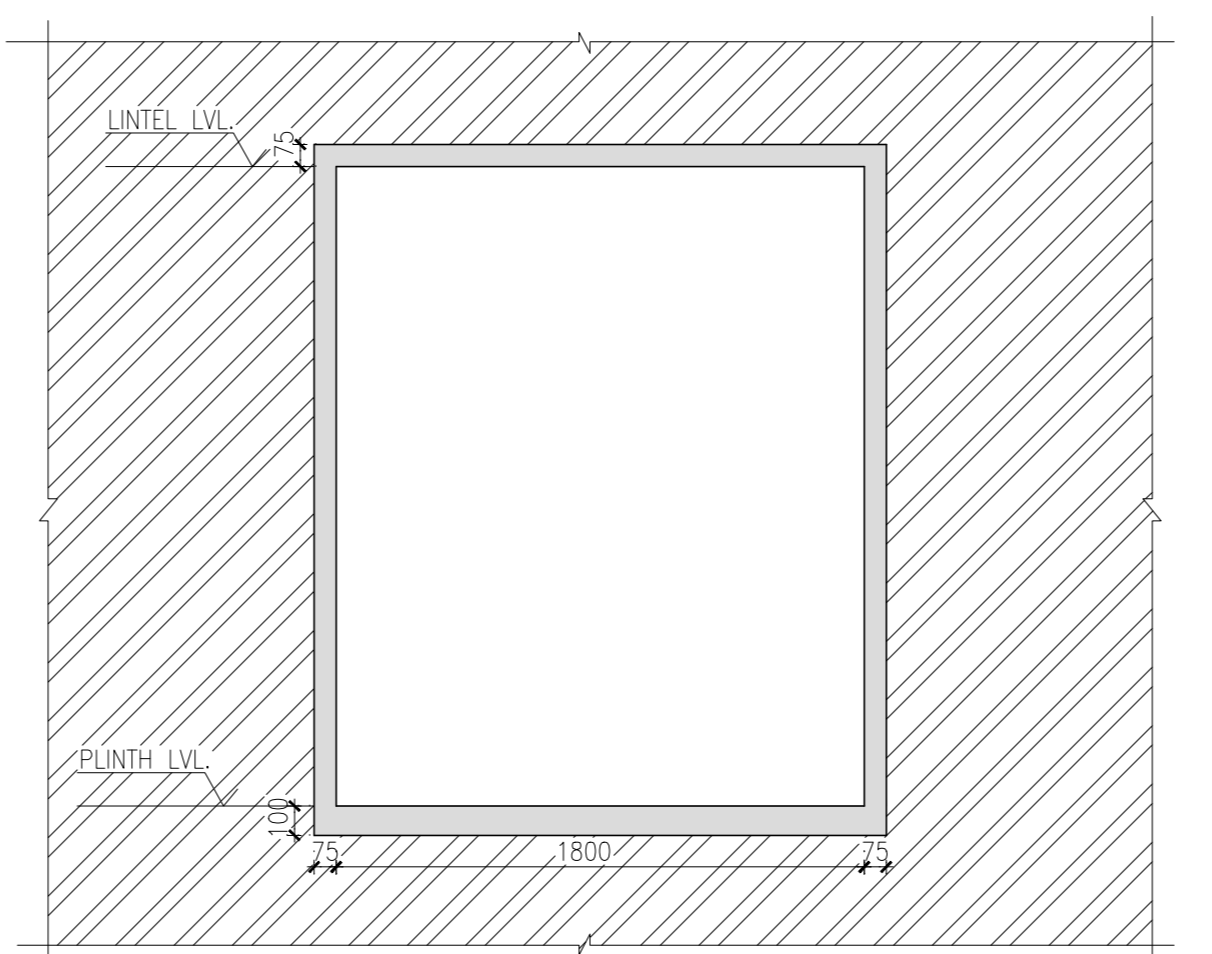
DETAIL-A
(TYP. DETAIL OF JAMB & LINTEL BAND (L4C)
FOR WINDOW OPENING)



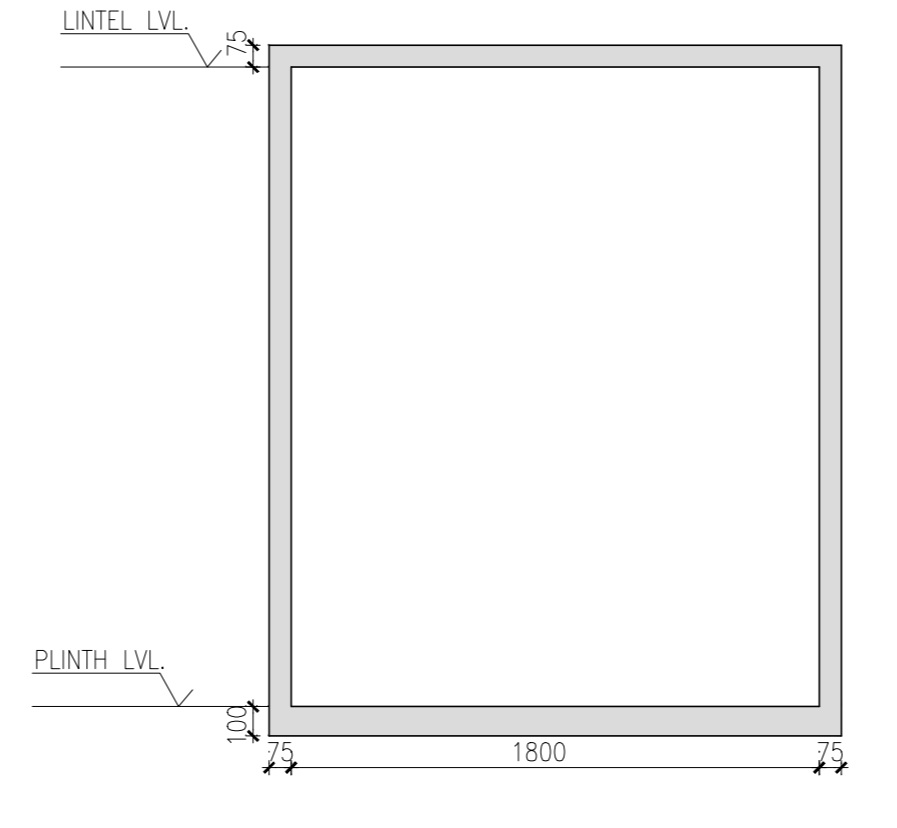
SECTION a1-a1



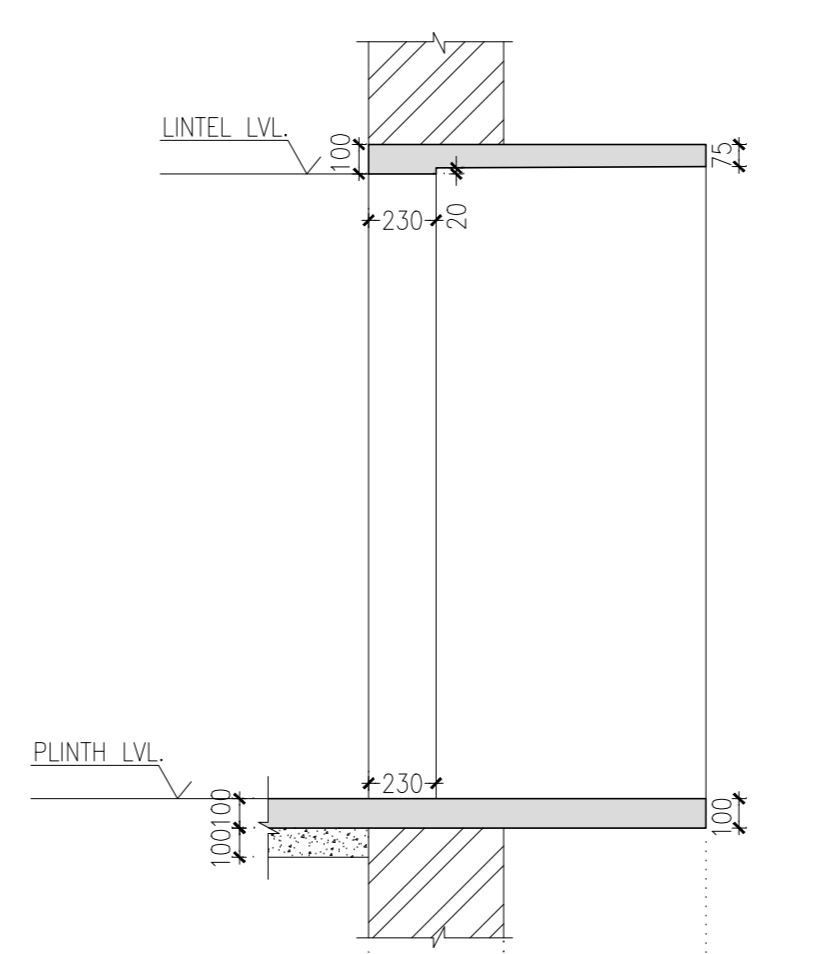
SECTION a4-a4



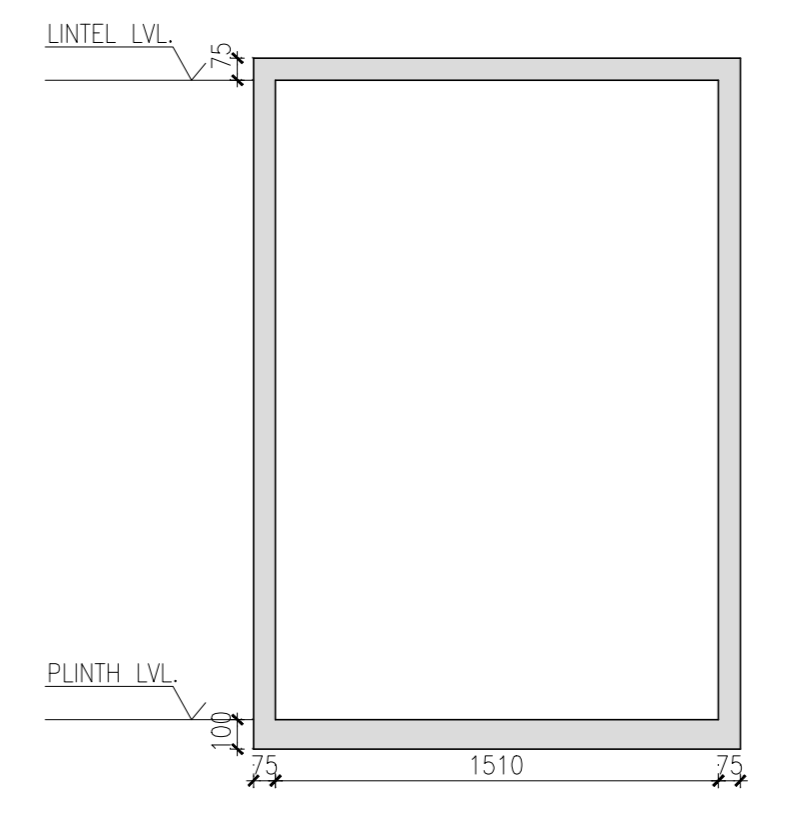
SECTION a2-a2



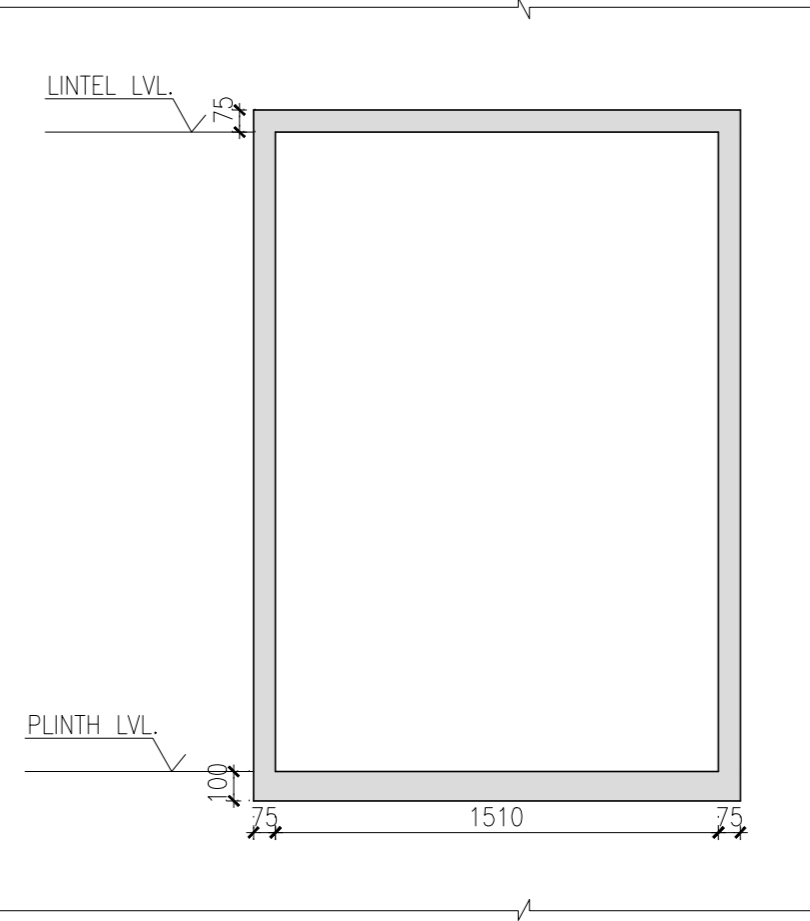
SECTION a3-a3



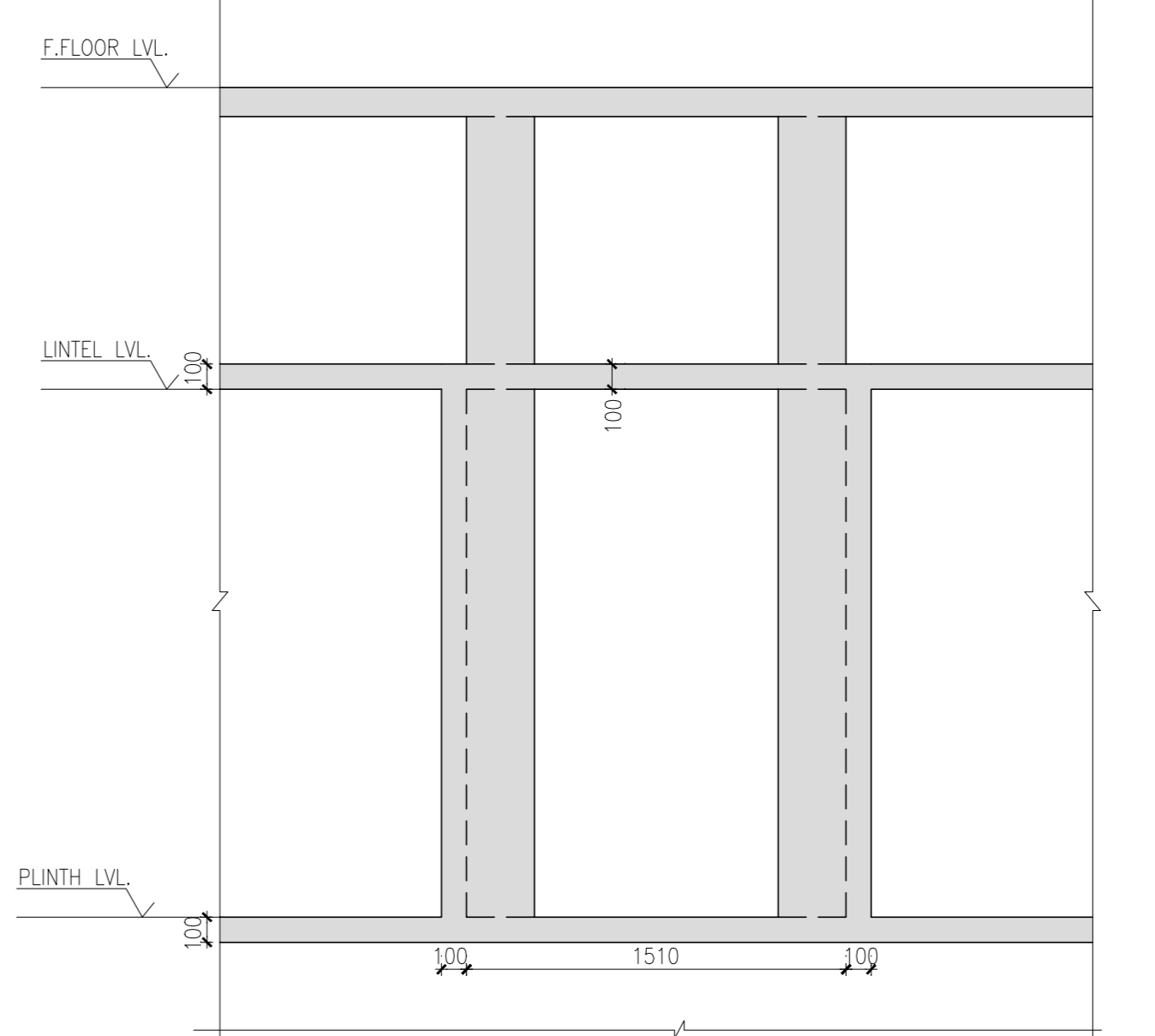
SECTION a5-a5



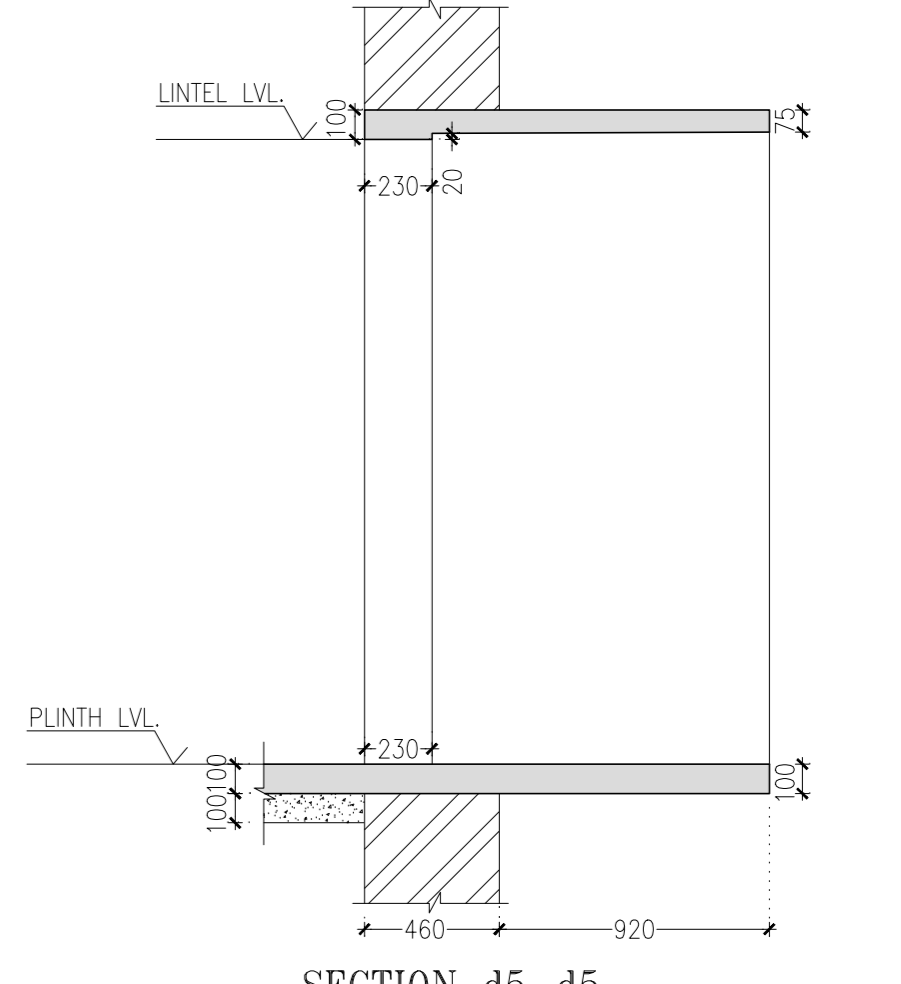
SECTION d3-d3



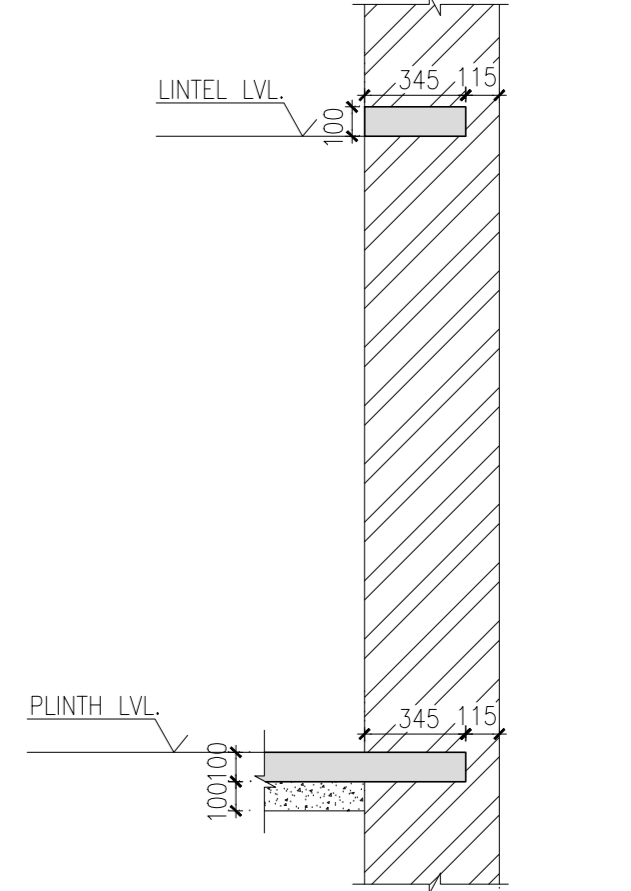
SECTION d2-d2



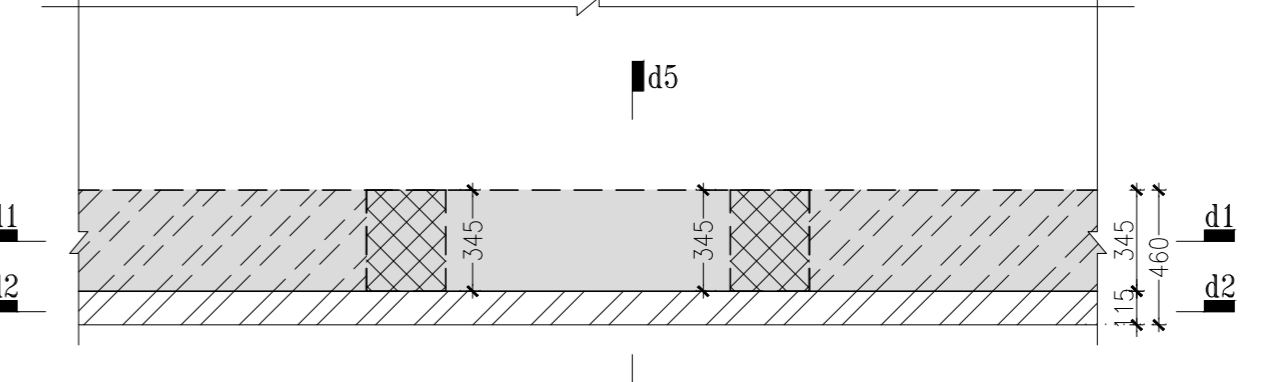
SECTION d1-d1



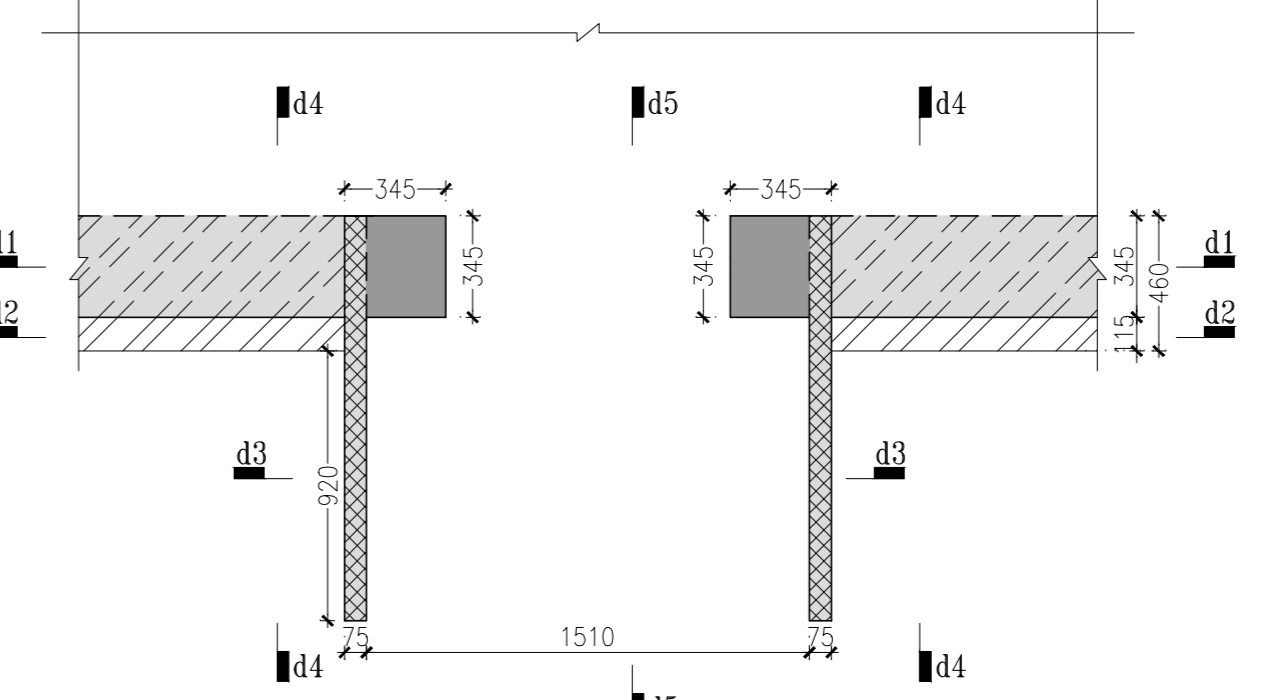
SECTION d5-d5



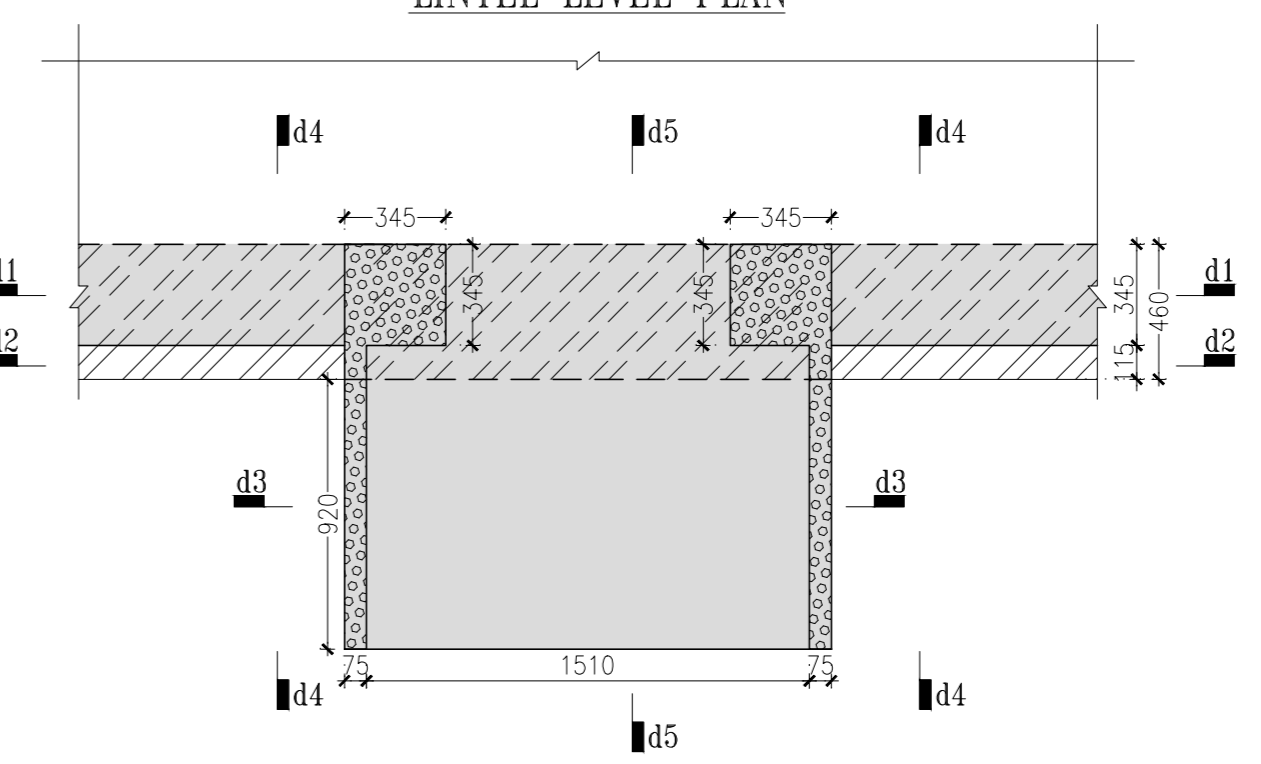
SECTION d4-d4



FLOOR LEVEL PLAN



LINTEL LEVEL PLAN



PLINTH LEVEL PLAN

DETAIL-D
(TYP. DETAIL OF JAMB, LINTEL BAND (L4d)
FOR OPENING)

THIS DRAWING IS THE PROPERTY OF VINOD SHAH Consulting Engineers Pvt. Ltd. AND NOT TO BE COPIED OR USED WITHOUT THEIR PERMISSION.

NOTES:

DETAIL REMARKS

REFERENCE: ALL DIMENSIONS TO BE CHECKED AND CORRELATED WITH ALL RELATED DRAWINGS AND ANY AMBIGUITY SHALL BE IMMEDIATELY BROUGHT TO THE NOTICE OF THE ENGINEER BEFORE COMMENCEMENT OF THE WORK.

DIMENSION: ALL DIMENSIONS ARE MM AND LEVELS ARE IN METER.

MASONRY SPEC: ALL MASONRY WALLS SHALL BE CONSTRUCTED FROM BURNT CLAY BRICKS UP TO 300 mm LEVEL WITH MIN. COMPRESSIVE STRENGTH OF 7.5 N/mm² ON GROSS AREA UNLESS OTHERWISE SPECIFIED.

CONC. SPEC: ALL CONCRETE MIX W/CS UNLESS OTHERWISE SPECIFIED.

REINFORCEMENT: ALL REINFORCEMENT SHALL BE PROVIDED WITH MIN. COVER AS PER IS:456 (PART 1) - 2000. CLEAR COVER TO MAIN STEEL IS AS FOLLOWS: PILES: 50 mm; PALE CAP: 40 mm; GRADE BEAM: 30 mm; FOOTINGS: 50 mm; DECK & TOP BOTTOM: 50 mm; COLUMNS & PEDESTALS: 40 mm; BEAMS & LINTELS: 30 mm; SLABS: 25 mm.

LEGENDS: [Symbol] COLUMN/WALL STARTS FROM THIS LEVEL. [Symbol] COLUMN/WALL STOPS AT THIS LEVEL.

FOR TENDER PURPOSE ONLY

No.	Date	Remarks

Revisions

Date	Prints Issued to	Date	Prints Issued to

Distribution of Prints

Consultants

- Structural Consultants: VINOD SHAH Consulting Engineers Pvt. Ltd.
- Services Consultants: DBHMS
- Landscape Consultants: Earthscapes Consultancy Pvt Ltd
- Road and Pathways Consultants: Arhmm Infra Consultants LLP

Project: Nalanda University, Rajgir, Bihar

Title: STRUCTURAL G.A. DRAWINGS OF GROUND FLOOR LINTEL PLAN & DETAILS FOR STUDENT HOUSING (TYPE-08)

Drawn: HS, Drawing No. NUC-MSH-S-A-8.4
 Checked: AJ, Scale: 1:50, 1:25
 Date: 09/06/2016

VASTU SHILPA CONSULTANTS
 Architects | Planners | Urban Designers
 Sangam, Thaha Road, Arrah, Bihar - 803004
 Phone: 091-27454537 Fax: 091-27452006
 www.sangam.org e-mail: vsc@sangam.org