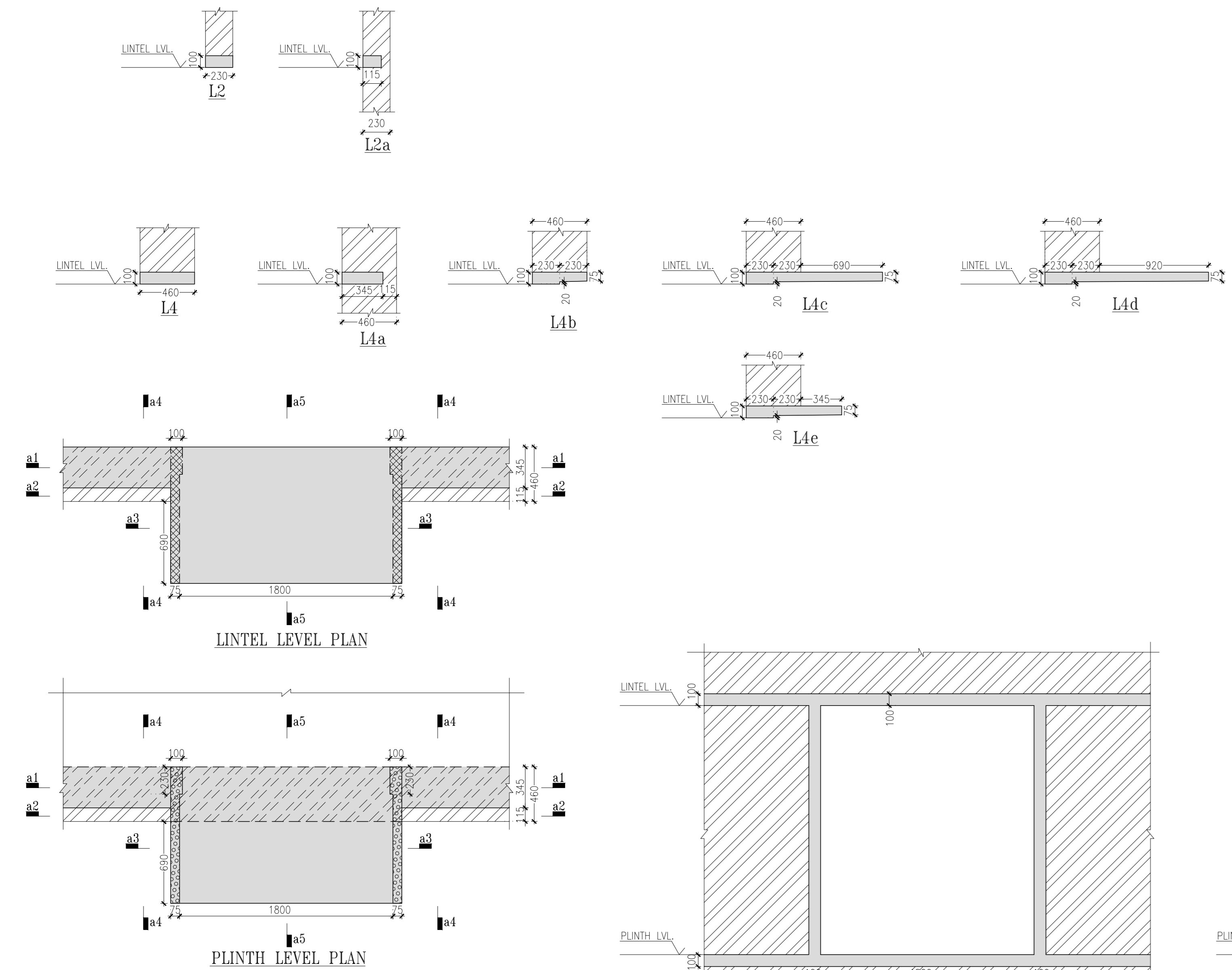


GROUND FLOOR LINTEL PLAN



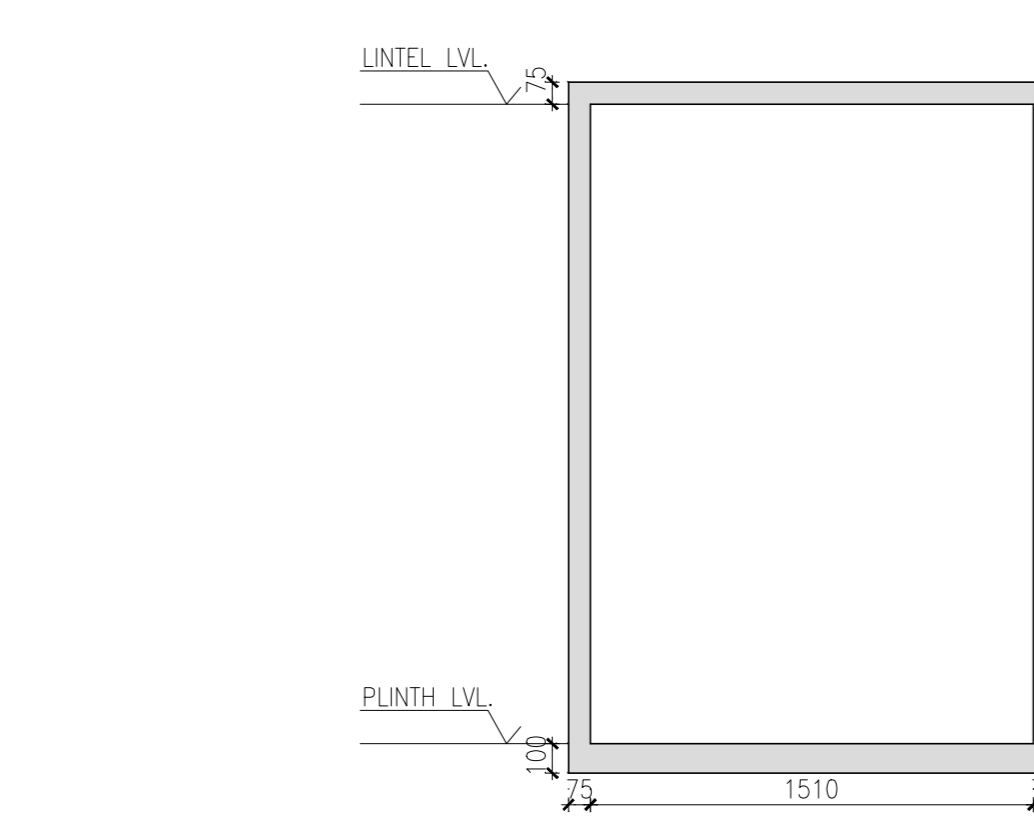
DETAIL-A  
(TYP. DETAIL OF JAMB. & LINTEL BAND (L4C)  
FOR WINDOW OPENING)

SECTION a1-a1

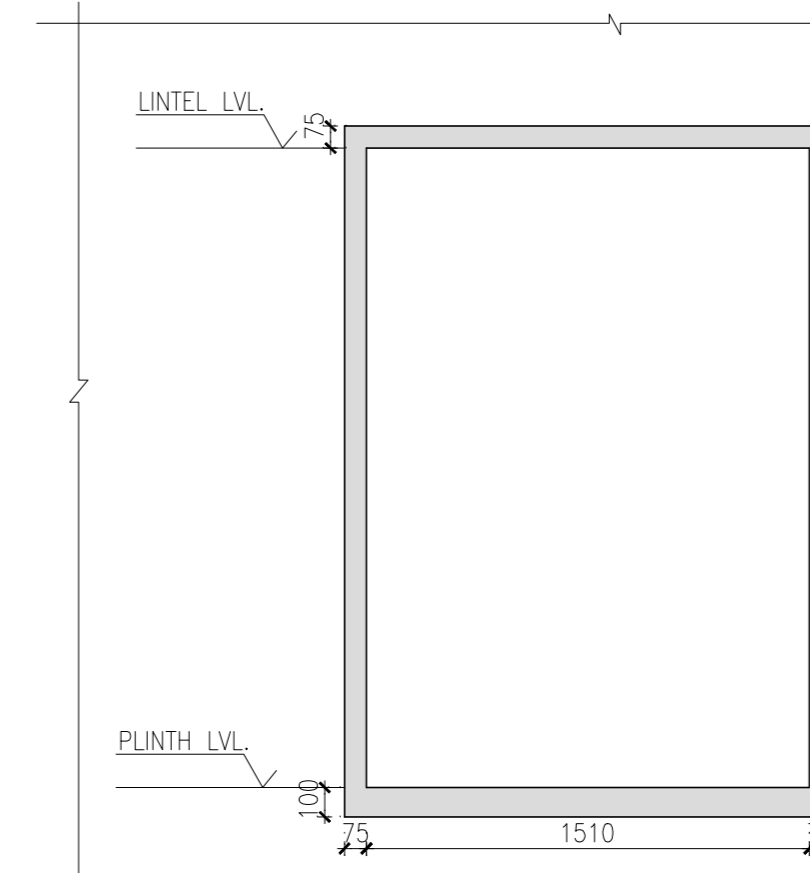
SECTION a4-a4

SECTION a2-a2

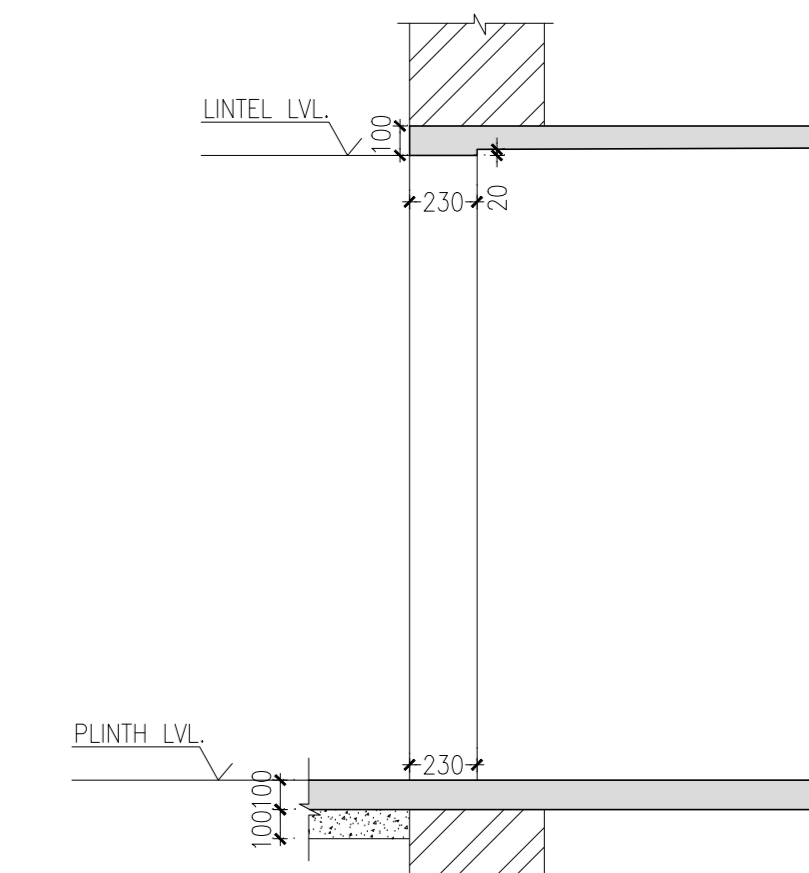
SECTION a5-a5



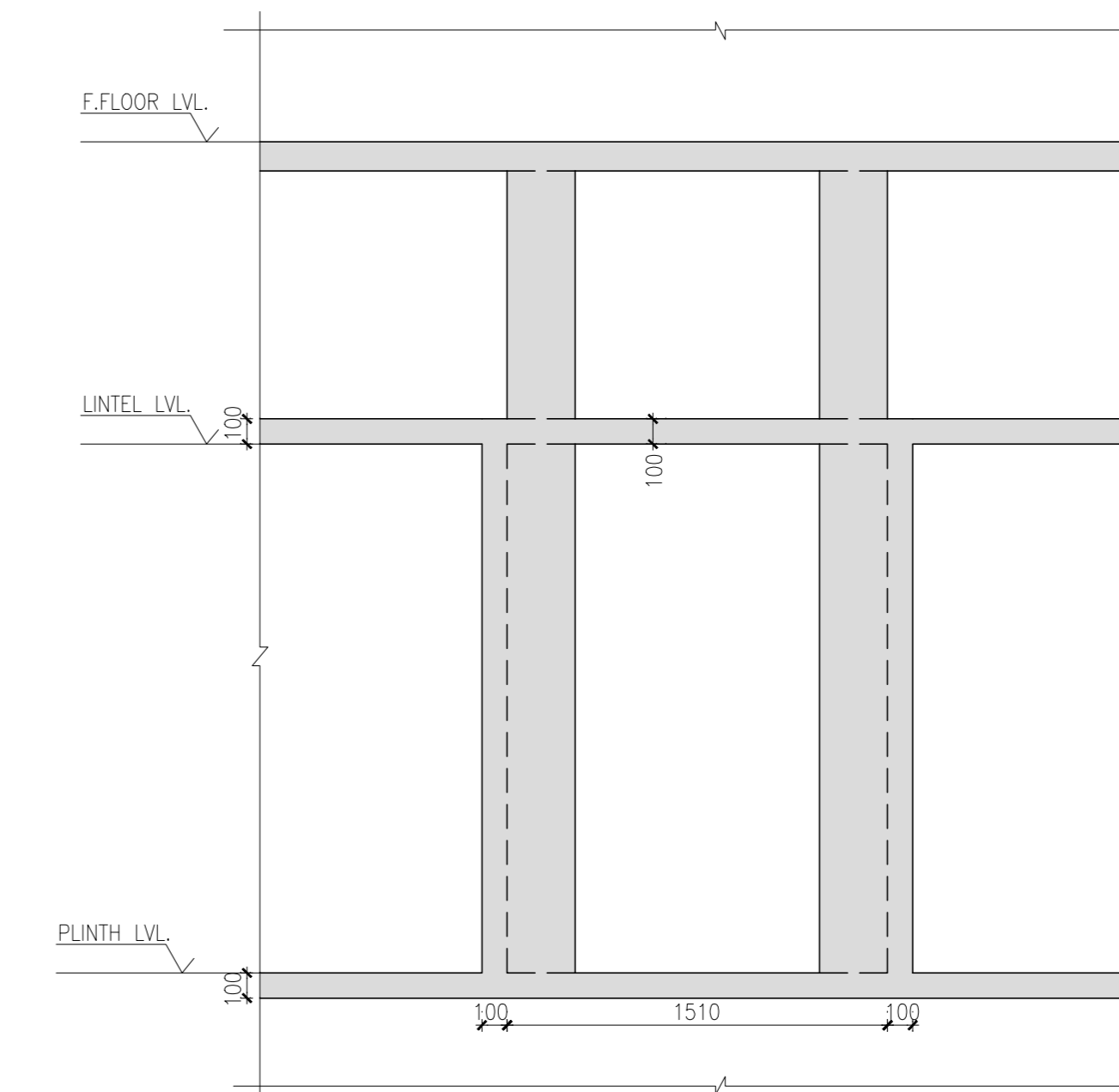
SECTION d3-d3



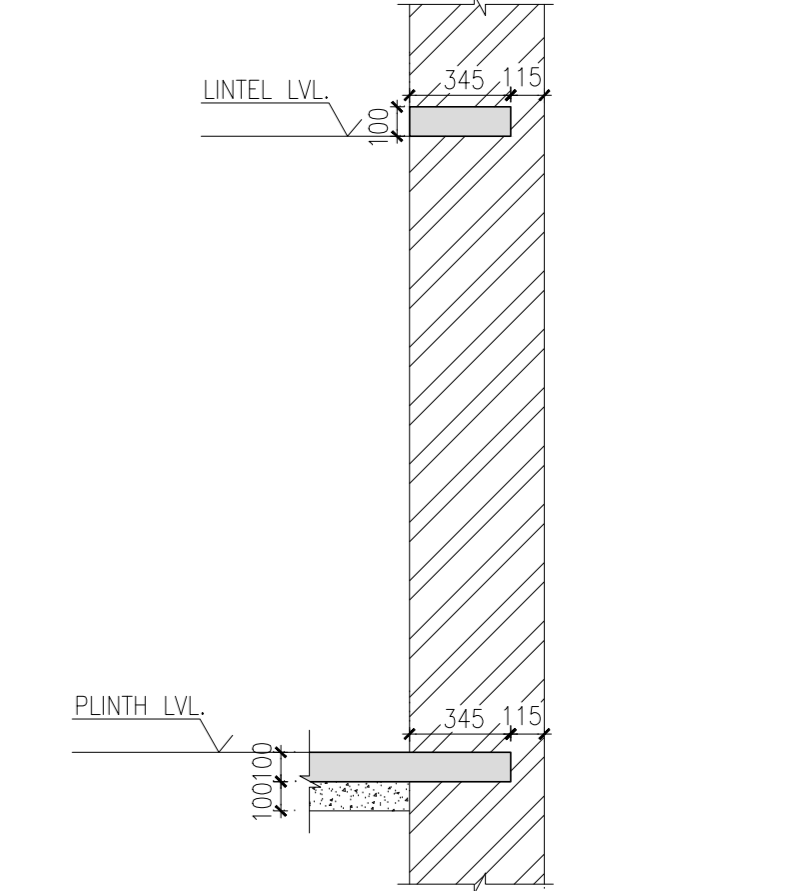
SECTION d2-d2



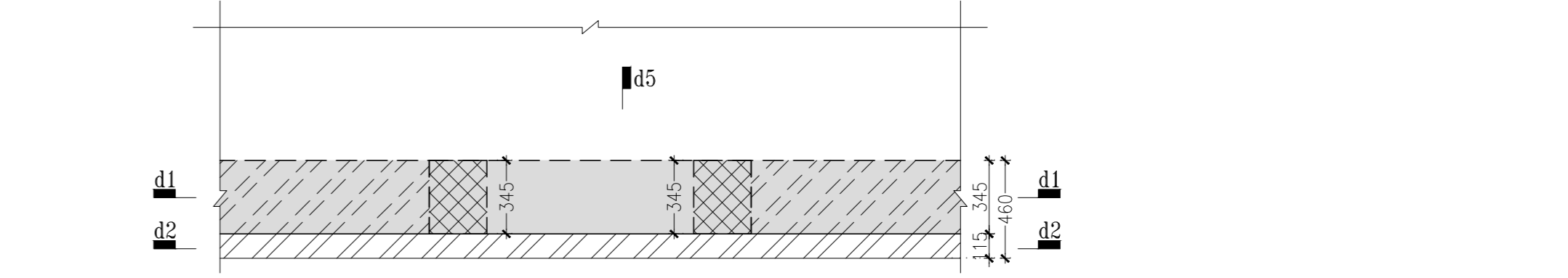
SECTION d5-d5



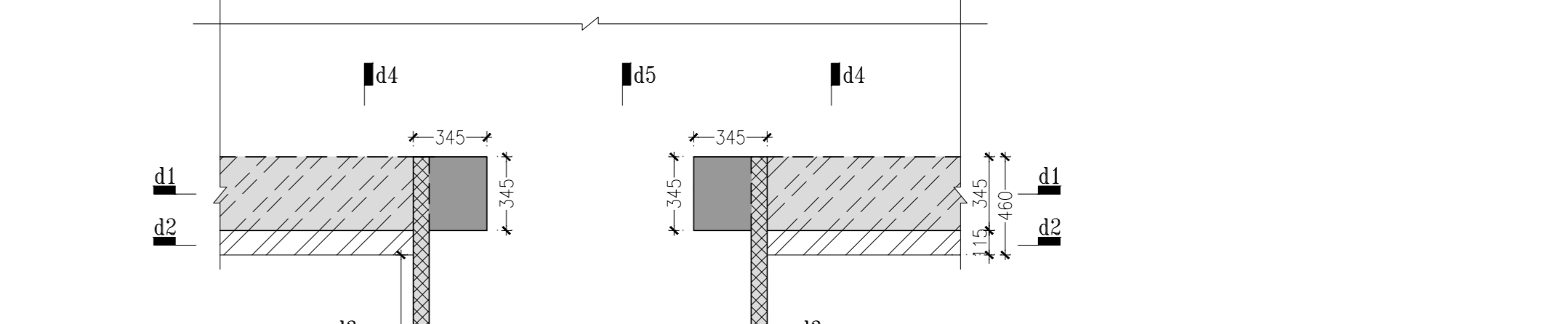
SECTION d1-d1



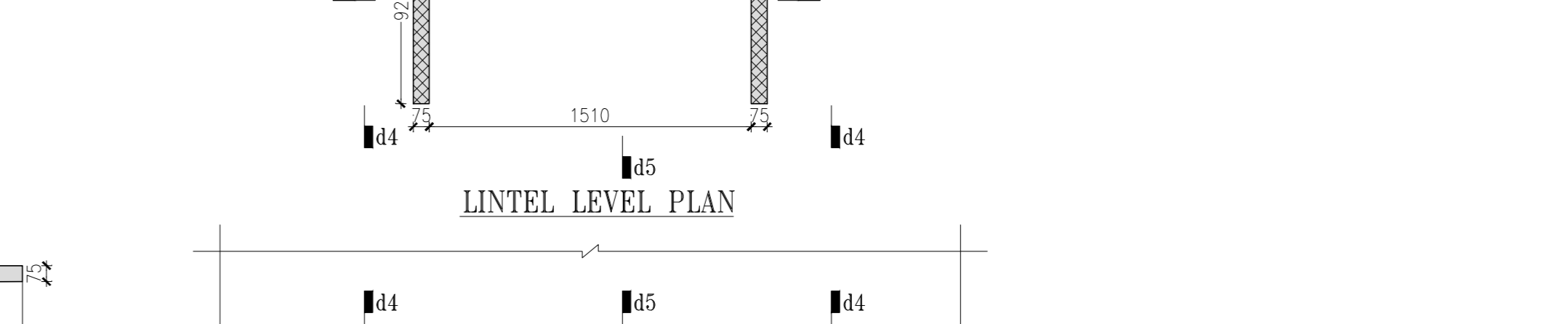
SECTION d4-d4



FLOOR LEVEL PLAN



LINTEL LEVEL PLAN



PLINTH LEVEL PLAN

DETAIL-D  
(TYP. DETAIL OF JAMB, LINTEL BAND (L4d)  
FOR OPENING)

THIS DRAWING IS THE PROPERTY OF VINOD SHAH Consulting Engineers Pvt. Ltd. AND NOT TO BE COPIED OR USED WITHOUT THEIR PERMISSION.

NOTES:

DETAIL	REMARKS
REFERENCE	ALL DIMENSIONS TO BE CHECKED AND CORRELATED WITH ALL RELATED DRAWINGS AND ANY AMBIGUITY SHALL BE IMMEDIATELY BROUGHT TO THE NOTICE OF THE ENGINEER BEFORE COMMENCEMENT OF THE WORK.
DIMENSION	ALL DIMENSIONS ARE MM AND LEVELS ARE IN METERS.
MASONRY SPEC.	ALL DIMENSIONS ARE TO BE READ AND NOT TO BE MEASURED.
MASONRY SPEC.	ALL MASONRY WALLS SHALL BE CONSTRUCTED FROM BURNT CLAY BRICKS UP TO SILL LEVEL WITH MIN. CRUSHING STRENGTH OF 7.5 N/mm <sup>2</sup> ON GROSS AREA UNLESS OTHERWISE SPECIFIED.
CONC. SPEC.	BRICK MASONRY SHALL BE BEDDED WITH CEMENT - SAND MORTAR IN PROPORTION OF 1:4 UNLESS OTHERWISE SPECIFIED.
CONC. SPEC.	ALL OTHER MASONRY WALLS SHALL BE CONSTRUCTED FROM COMPRESSED STABILIZED EARTH BLOCK WITH MIN. CRUSHING STRENGTH OF 7.5 N/mm <sup>2</sup> ON GROSS AREA UNLESS OTHERWISE SPECIFIED.
CONC. SPEC.	OTHER MASONRY SHALL BE BEDDED WITH CEMENT - SAND MORTAR IN PROPORTION OF 1:4 UNLESS OTHERWISE SPECIFIED.
CONC. SPEC.	PRISM TEST IS RECOMMENDED TO ENSURE THE EFFICIENCY OF MASONRY WALL AGAINST COMPRESSED STABILIZED EARTH BLOCK.
REINFORCE	ALL CONCRETE MIX USES UNLESS OTHERWISE SPECIFIED.
REINFORCE	REINFORCEMENT INDICATES TMT STEEL (Fe 500) OF YIELD STRENGTH 500 N/mm <sup>2</sup> .
COVER	CLEAR COVER TO MAIN STEEL IS AS FOLLOWS: PILLS : 50 mm PILE CAP : 40 mm GRADE BEAM : 30 mm FOOTINGS : 50 mm DECK & TOP : 50 mm BOTTOM : 50 mm COLUMNS & PEDESTALS : 40 mm BEAMS & LINTELS : 30 mm SLABS : 25 mm
LAP/ SPLICES	LAP LENGTH IS FIFTY TIMES BAR DIAMETER.
LEGENDS:	<ul style="list-style-type: none"> <li>Column/Wall Starts from this level.</li> <li>Column/Wall Stops at this level.</li> </ul>

FOR TENDER PURPOSE ONLY

No.	Date	Remarks

Revisions

Date	Prints Issued to	Date	Prints Issued to

Distribution of Prints

Consultants

- Structural Consultants: VINOD SHAH Consulting Engineers Pvt. Ltd.
- Services Consultants: DBHMS
- Landscape Consultants: Earthscapes Consultancy Pvt Ltd
- Road and Pathways Consultants: Arhmm Infra Consultants LLP

Project: Nalanda University, Rajgir, Bihar

Title: STRUCTURAL G.A. DRAWINGS OF GROUND FLOOR LINTEL PLAN & DETAILS FOR STUDENT HOUSING (TYPE-12)

Dealt : HS  
Checked : AJ  
Scale : 1:50, 1:25  
Date : 09/06/2016

VASTU SHILPA CONSULTANTS  
Architects | Planners | Urban Designers

Sangam, Thalte Road, Arrahabad - 380504  
Phone: 079-27454537 Fax: 079-27452006  
www.sangam.org e-mail: vsc@sangam.org