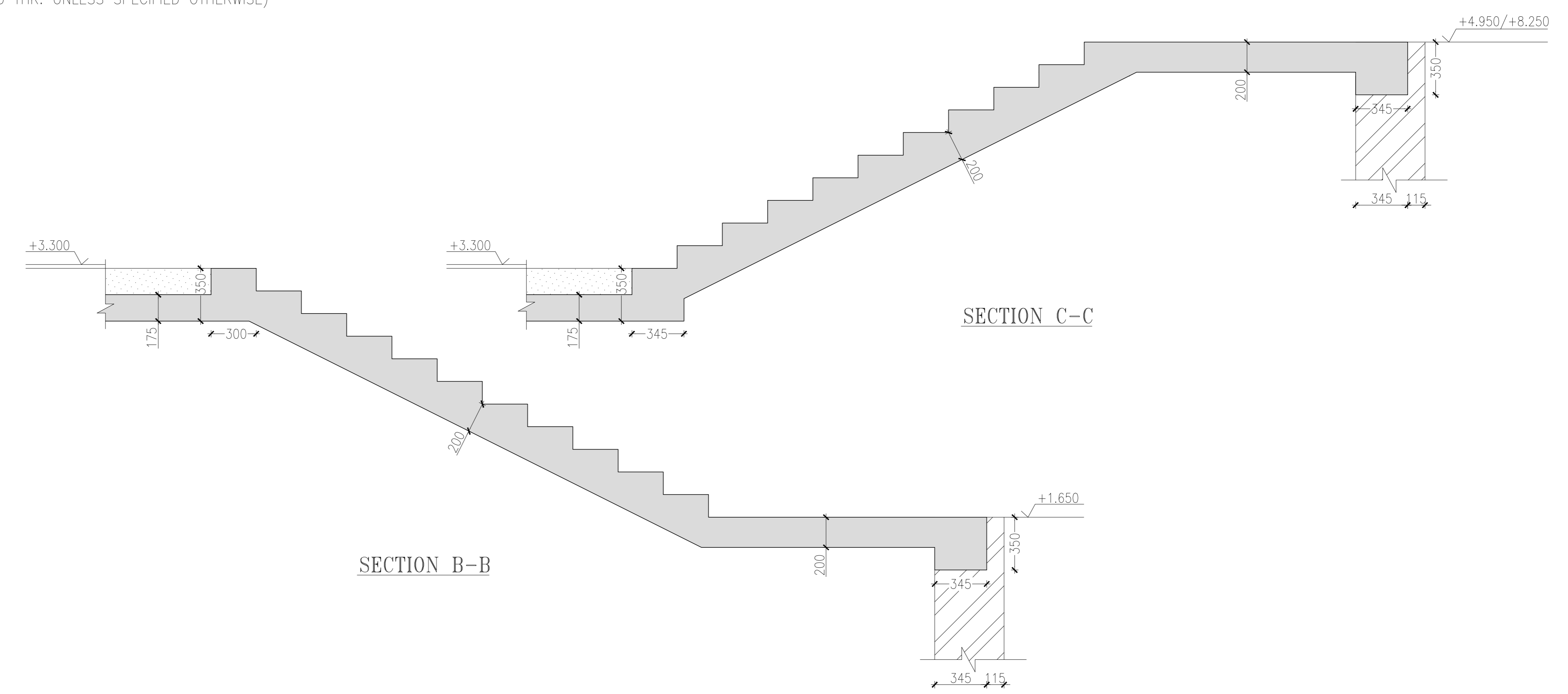
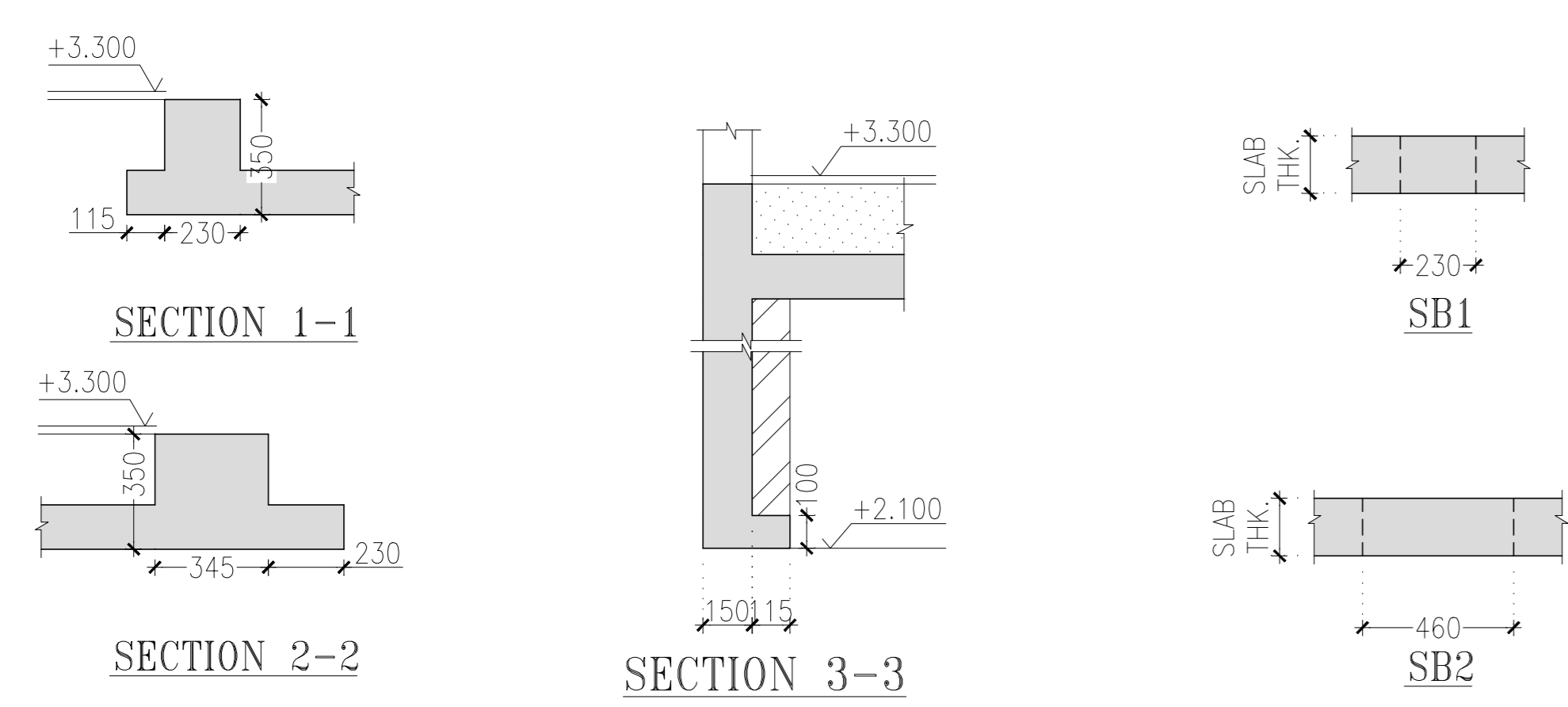


FIRST FLOOR PLAN AT +3.300M LVL(F.F.L.)
(ALL SLABS 135 THK. UNLESS SPECIFIED OTHERWISE)



DETAIL	REMARKS
REFERENCE	ALL DIMENSIONS TO BE CHECKED AND CORRELATED WITH ALL RELATED DRAWINGS AND ANY AMBIGUITY SHALL BE IMMEDIATELY BROUGHT TO THE NOTICE OF THE ENGINEERS BEFORE COMMENCEMENT OF THE WORK.
DIMENSION	ALL DIMENSIONS ARE MM AND LEVELS ARE IN METER. ALL DIMENSIONS ARE TO BE READ AND NOT TO BE MEASURED.
FOUNDATION/PILES	PIILING WORK TO BE DONE AS PER IS 2911-2010 FILLING ON BOTH SIDES OF WALL WHEN REQUIRED SHALL BE BALANCED IN STAGES AND LAYERS.
MASONRY SPEC.	ALL MASONRY WALLS SHALL BE CONSTRUCTED FROM BURNT CLAY BRICKS UP TO SILL LEVEL WITH MIN. CRUSHING STRENGTH OF 7.5 N/mm ² ON GROSS AREA UNLESS OTHERWISE SPECIFIED. BRICK MASONRY SHALL BE BEDDED WITH CEMENT : SAND MORTAR IN PROPORTION OF 1:4 UNLESS OTHERWISE SPECIFIED.
CSE BLOCK MASONRY SPEC.	ALL CSEB MASONRY WALLS SHALL BE CONSTRUCTED FROM COMPRESSED STABILIZED EARTH BLOCK WITH MIN. CRUSHING STRENGTH OF 7.5 N/mm ² ON GROSS AREA UNLESS OTHERWISE SPECIFIED. CSEB MASONRY SHALL BE BEDDED WITH CEMENT : SAND MORTAR IN PROPORTION OF 1:4 UNLESS OTHERWISE SPECIFIED. PRISM TEST IS RECOMMENDED TO ENSURE THE EFFICIENCY OF MASONRY WALL AGAINST COMPRESSED STABILIZED EARTH BLOCK
CONC. SPEC.	ALL CONCRETE MIX M25 UNLESS OTHERWISE SPECIFIED.
REINFORCEMENT	INDICATES TMT STEEL (Fe 500D) OF YIELD STRENGTH 500 N/mm ²
COVER	CLEAR COVER TO MAIN STEEL IS AS FOLLOWS PILES : :50 mm PILE CAP : :60 mm GRADE BEAM : :30 mm FOOTINGS : :50 mm SIDES & TOP : :50 mm BOTTOM : :50 mm COLUMNS & PEDESTALS : :40 mm BEAMS & LINTELS : :30 mm SLABS : :25 mm LAP LENGTH IS FIFTY TIMES BAR DIAMETER
SPECIAL NOTE :	THE BUILDING IS DESIGNED FOR G+3 STOREYS ONLY AND NO FUTURE PROVISION IS CONSIDERED
LEGENDS:	COLUMN/WALL STARTS FROM THIS LEVEL COLUMN/WALL STOPS AT THIS LEVEL

FOR TENDER PURPOSE ONLY

No.	Date.	Remarks.

Date	Prints	Issued to	Date	Prints	Issued to

- Consultants**
- **Structural Consultants**
VINOD SHAH Consulting Engineers Pvt. Ltd.
 - **Services Consultants**
DBHMS
 - **Landscape Consultants**
Earthscapes Consultancy Pvt Ltd
 - **Road and Pathways Consultants**
Arhmm Infra Consultants LLP

Project
Nalanda University, Rajgir, Bihar

Title
STRUCTURAL G.A. DRAWINGS OF FIRST FLOOR PLAN AND DETAILS FOR FACULTY HOUSING (APPT. TYPE 3)

Dealt : HS
Checked : AJ
Scale : 1:50, 1:25
Date : 07/09/2016

VASTU SHILPA CONSULTANTS
Architects | Planners | Urban Designers