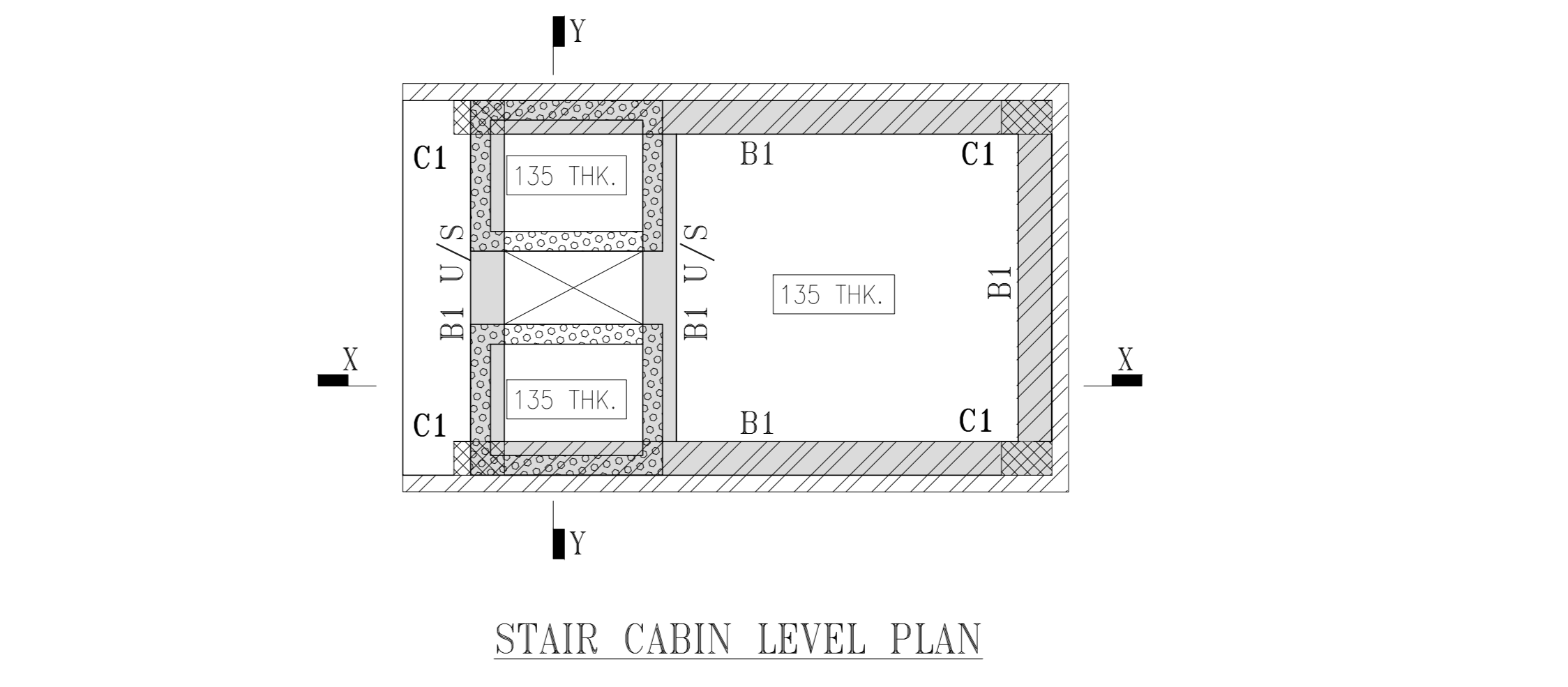
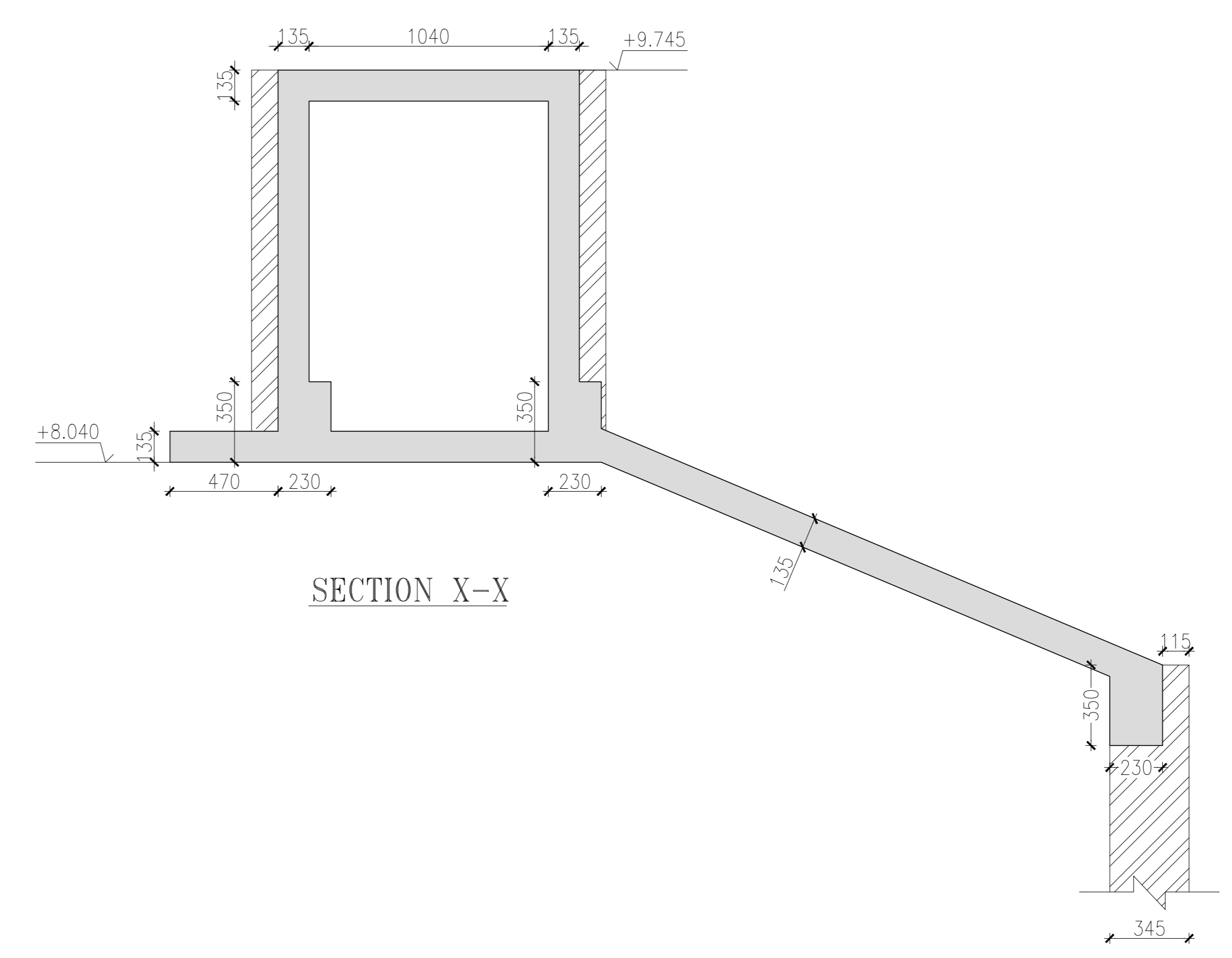


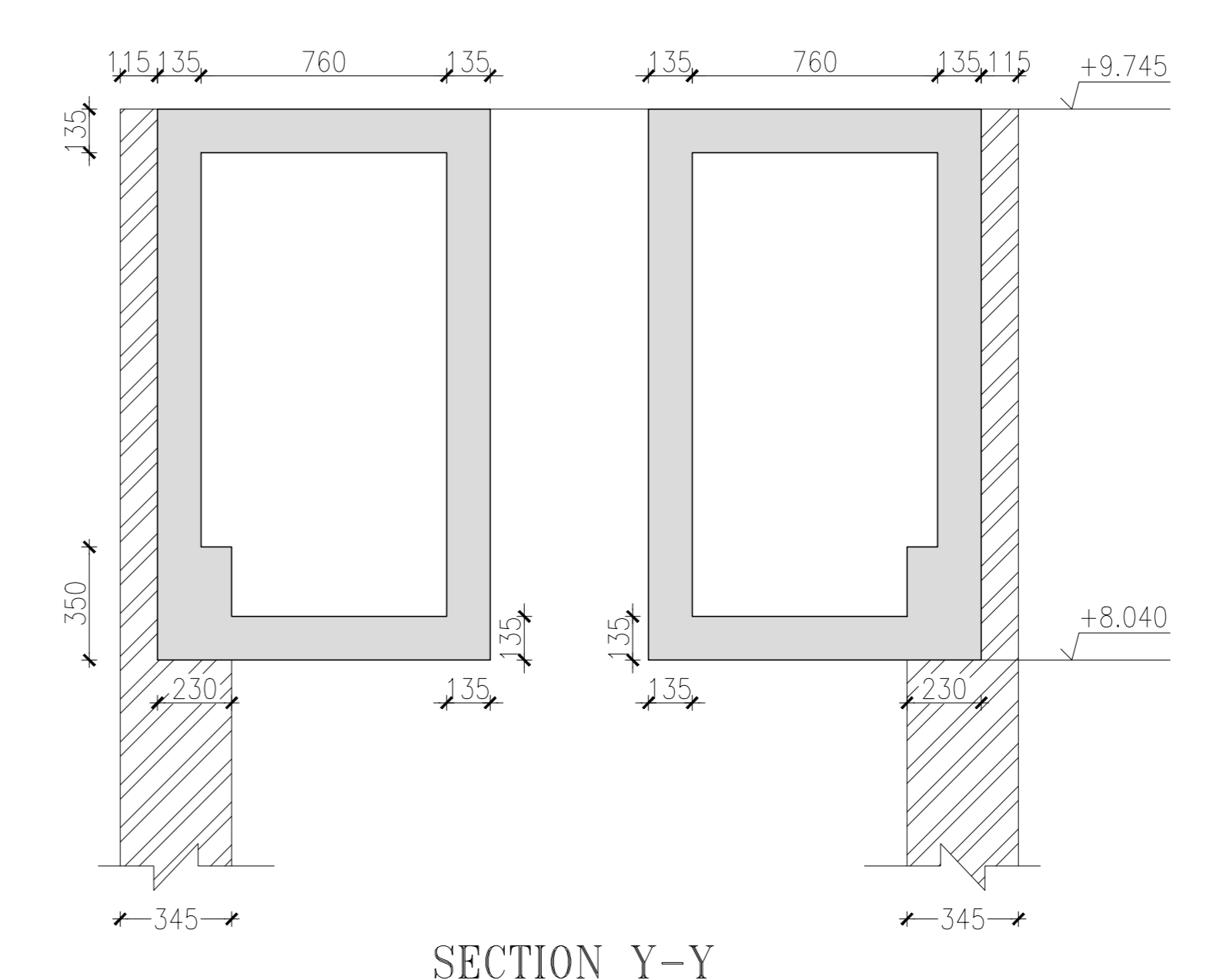
FIRST FLOOR LINTEL PLAN AT +5.550M LVL.



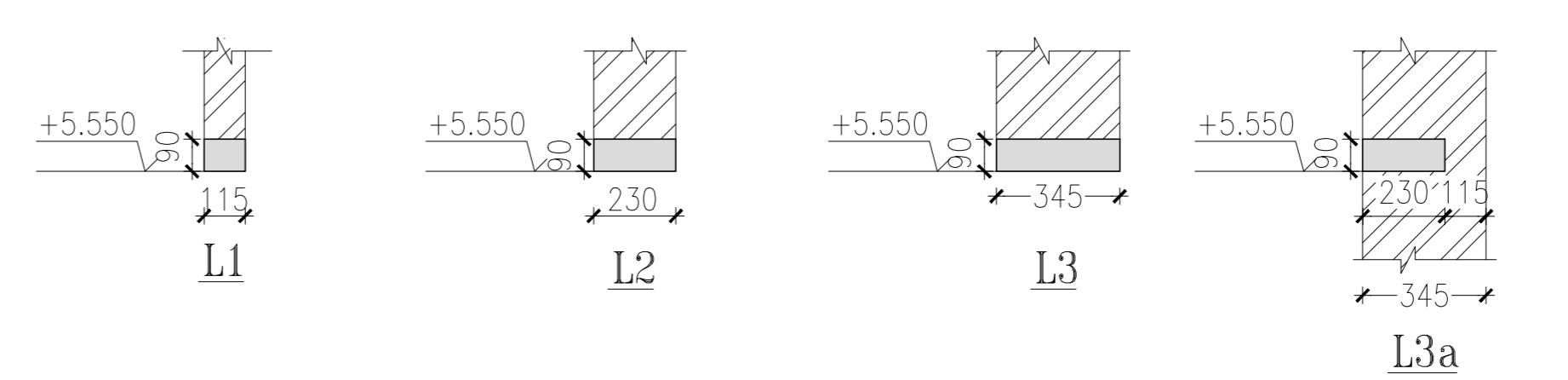
STAIR CABIN LEVEL PLAN



SECTION X-X



SECTION Y-Y



BEAM SCHEDULE	
BEAM NO.	BEAM SIZE
LB1	345X350
LB2	230X350
B1	230X350

NOTES:

DETAIL	REMARKS
REFERENCE	ALL DIMENSIONS TO BE CHECKED AND CORRELATED WITH ALL RELATED DRAWINGS AND ANY AMBIGUITY SHALL BE IMMEDIATELY BROUGHT TO THE NOTICE OF THE ENGINEERS BEFORE COMMENCEMENT OF THE WORK.
DIMENSION	ALL DIMENSIONS ARE TO BE READ AND NOT TO BE MEASURED.
CSEB MASONRY SPEC.	ALL CSEB MASONRY WALLS SHALL BE CONSTRUCTED FROM COMPRESSED EARTH BLOCK WITH MIN. CRUSHING STRENGTH OF 7.5 N/mm ² ON GROSS AREA UNLESS OTHERWISE SPECIFIED. BRICK MASONRY SHALL BE BEDDED WITH CEMENT : SAND MORTAR IN PROPORTION OF 1:4 UNLESS OTHERWISE SPECIFIED.
CONC. SPEC.	ALL CONCRETE MIX M25 UNLESS OTHERWISE SPECIFIED.
REINFORCEMENT	INDICATE TMT STEEL YIELD STRENGTH 500 N/mm ²
COVER	CLEAR COVER TO MAIN STEEL IS AS FOLLOWS: FOOTINGS : SIDES & TOP : 50 mm BOTTOM : 50 mm COLUMNS & PEDESTALS : 40 mm BEAMS & LINTELS : 30 mm SLABS : 25 mm
LAPS/SPLICES	LAP LENGTH IS FIFTY TIMES BAR DIAMETER
SPECIAL NOTE :	THIS BUILDING IS DESIGNED FOR G+1 STOREY ONLY & NO FUTURE PROVISION IS CONSIDERED.

FOR TENDER PURPOSE ONLY

No.	Date.	Remarks.

Revisions

Date	Prints	Issued to	Date	Prints	Issued to

Distribution of Prints

Consultants

- **Structural Consultants**
VINOD SHAH Consulting Engineers Pvt. Ltd.
- **Services Consultants**
DBHMS
- **Landscape Consultants**
Earthscapes Consultancy Pvt Ltd
- **Road and Pathways Consultants**
Arhmm Infra Consultants LLP

Project

Nalanda University, Rajgir, Bihar

Title

STRUCTURAL G.A. DRAWINGS OF FIRST FLOOR LINTEL & TERRACE PLAN FOR FACULTY HOUSING (ROW HOUSE TYPE) (2-Units)

Dealt : HS	Drawing No.
Checked : AJ	NUC- FRH-S-A.6.1
Scale : 1:50, 1:25	
Date : 07/09/2016	

VASTU SHILPA CONSULTANTS
Architects | Planners | Urban Designers

Sangath, Thaltej Road, Ahmedabad - 380054
Phone: 079 - 27454537 Fax: 079 - 27452006
www.sangath.org e-mail: vsc@sangath.org