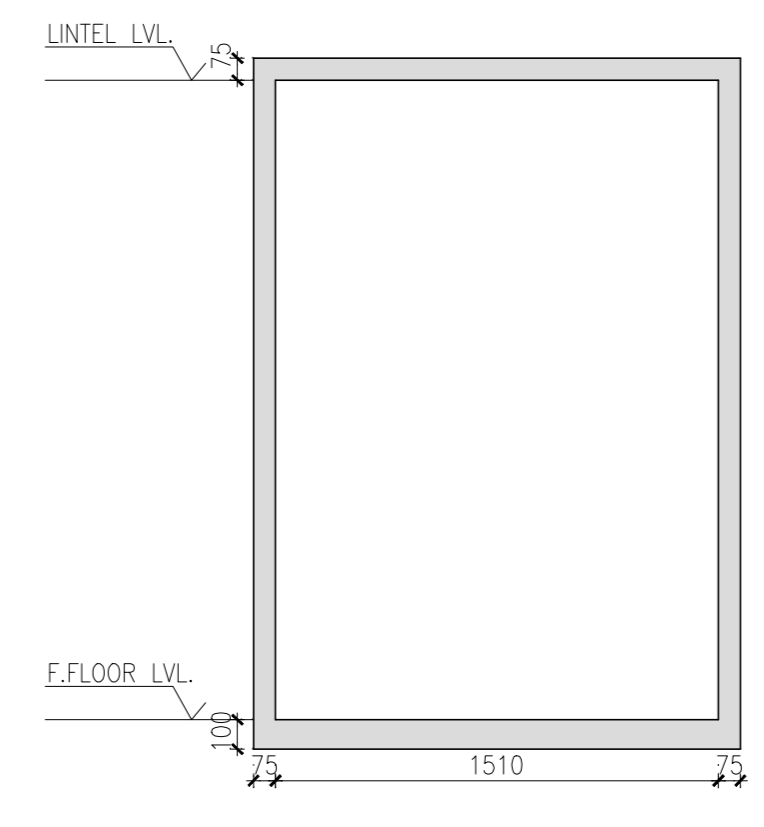
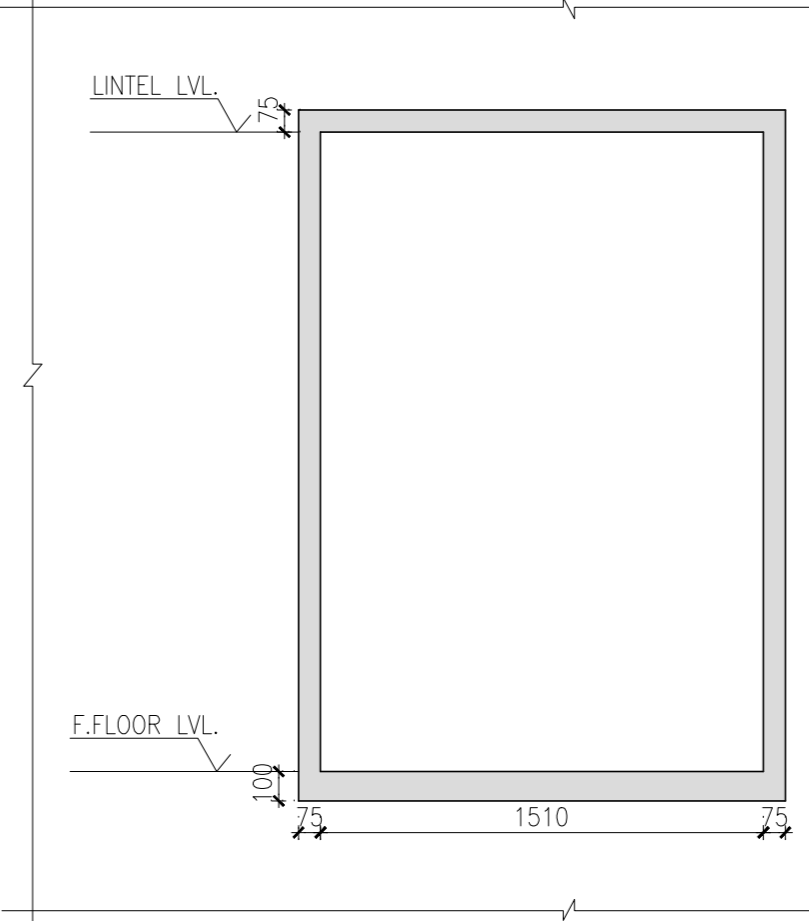


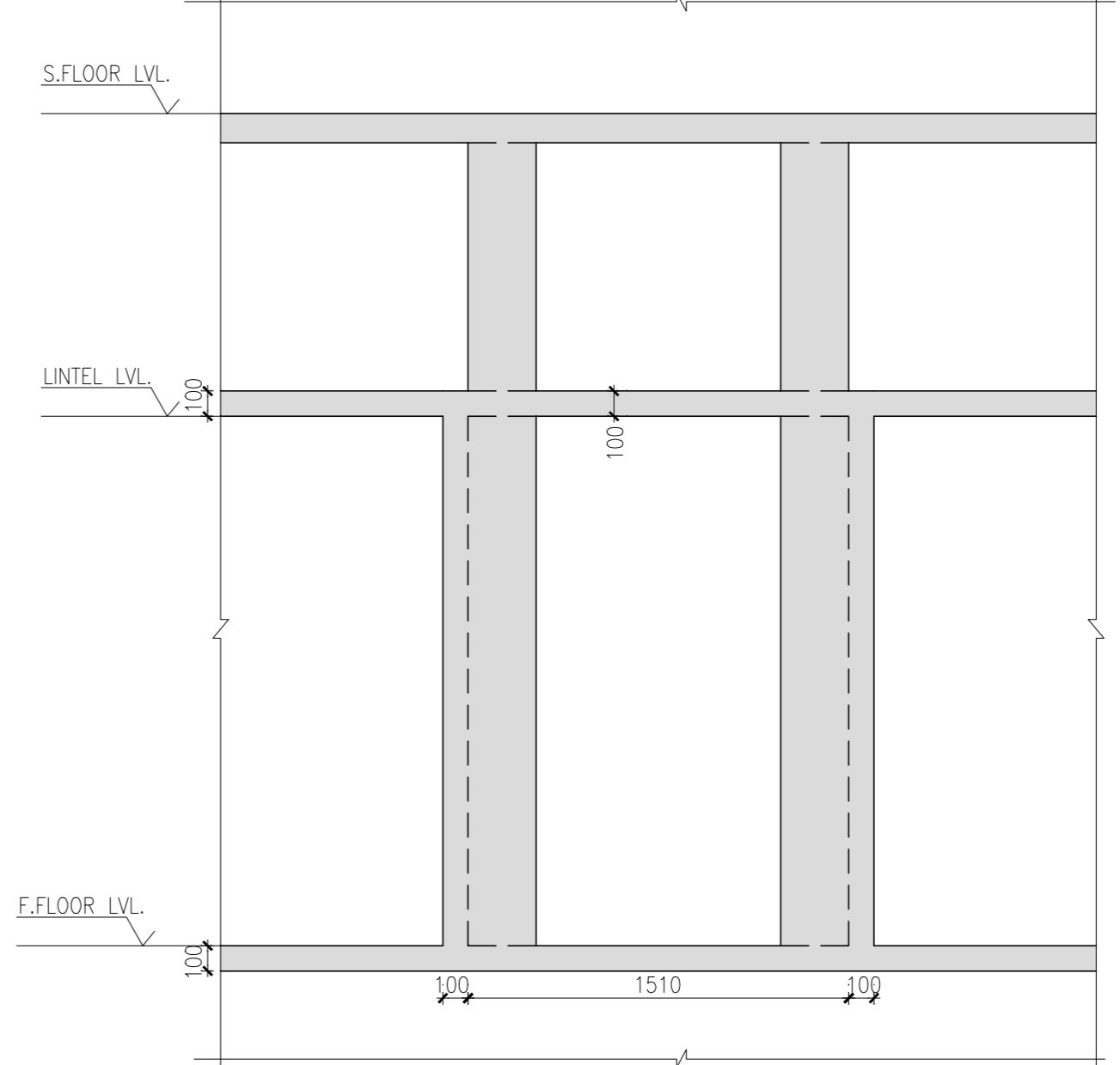
FIRST FLOOR LINTEL PLAN



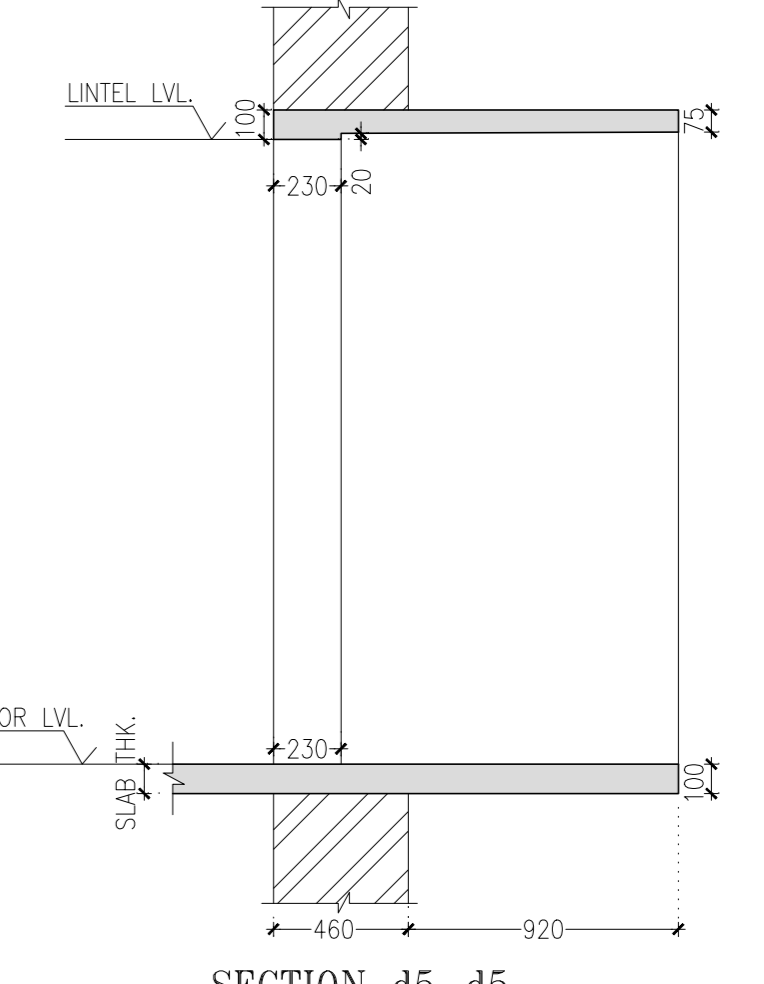
SECTION d3-d3



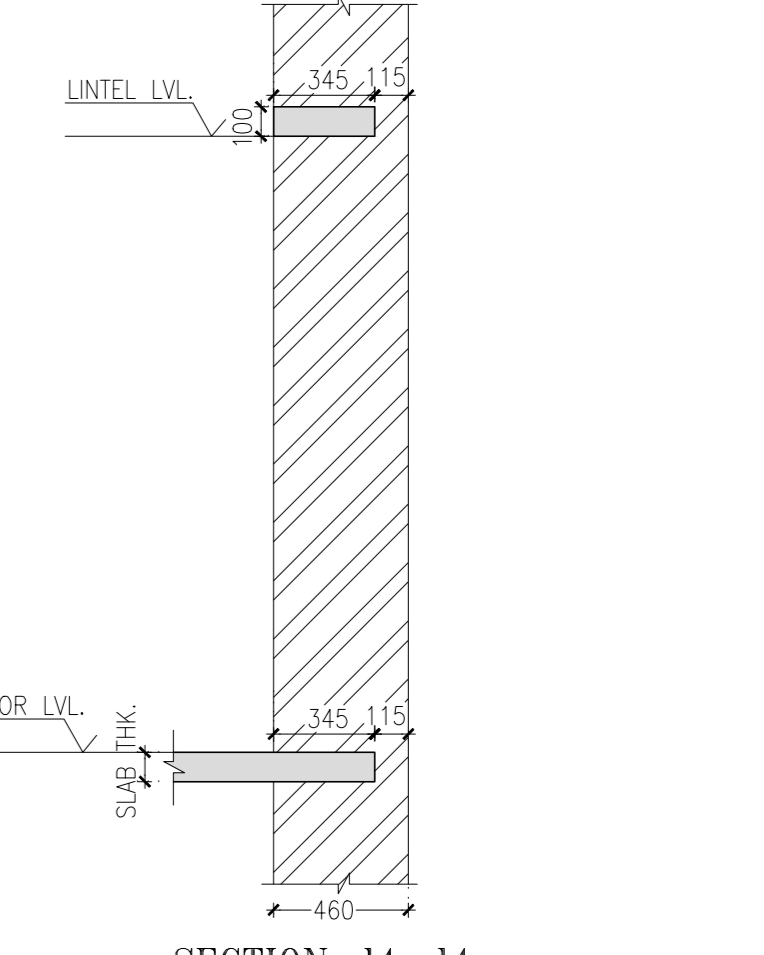
SECTION d2-d2



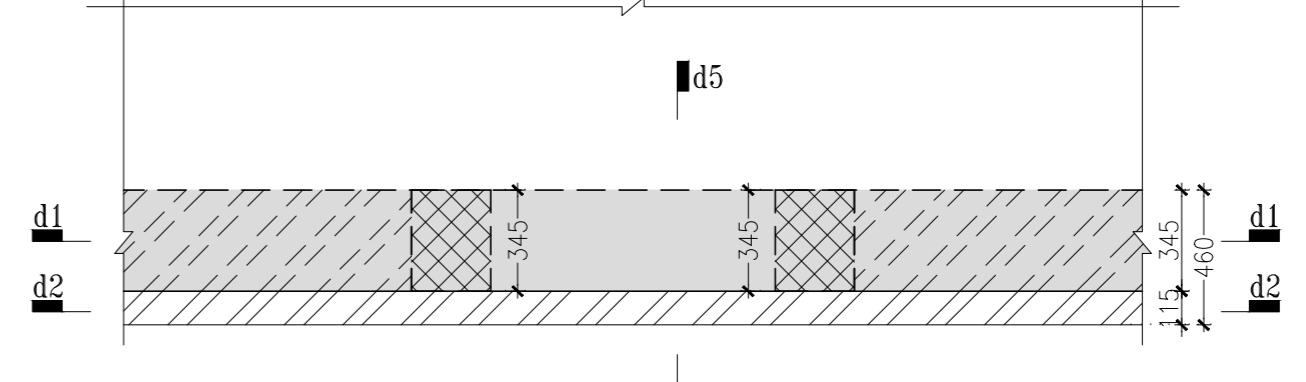
SECTION d1-d1



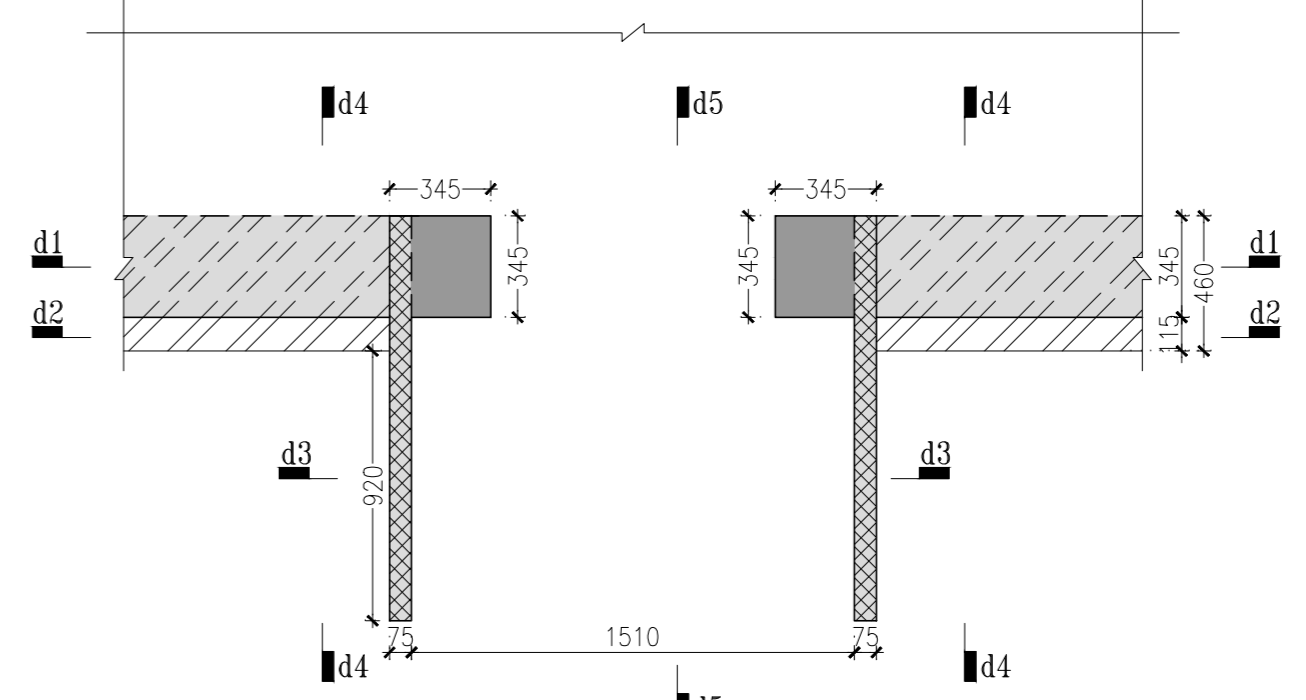
SECTION d5-d5



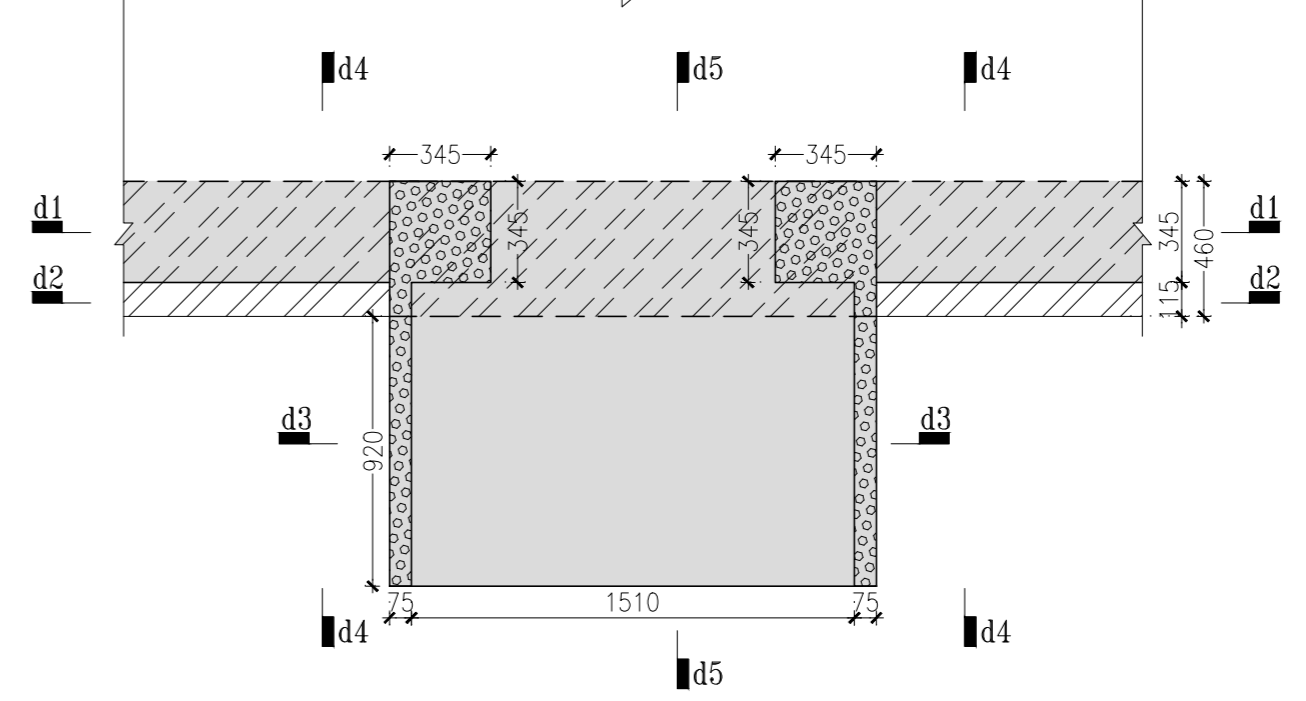
SECTION d4-d4



FLOOR LEVEL PLAN

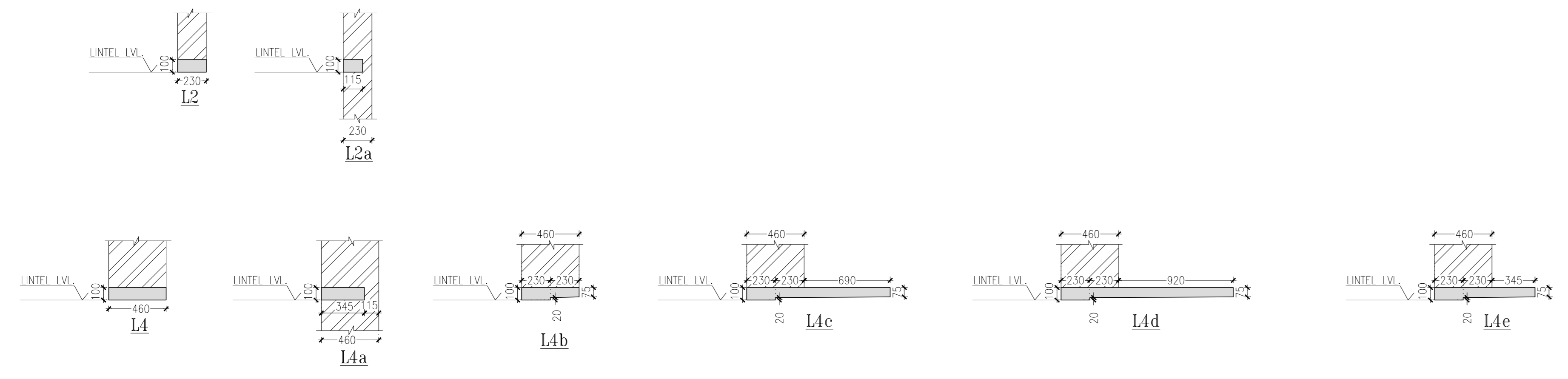


LINTEL LEVEL PLAN



FLOOR LEVEL PLAN

DETAIL-D
(TYP. DETAIL OF JAMB, LINTEL BAND (L4d)
FOR OPENING)



THIS DRAWING IS THE PROPERTY OF VINOD SHAH Consulting Engineers Pvt. Ltd. AND NOT TO BE COPIED OR USED WITHOUT THEIR PERMISSION.

NOTES:

DETAIL REMARKS

REFERENCE ALL DIMENSIONS TO BE CHECKED AND CORRELATED WITH ALL RELATED DRAWINGS AND ANY AMBIGUITY SHALL BE IMMEDIATELY BROUGHT TO THE NOTICE OF THE ENGINEER BEFORE COMMENCEMENT OF THE WORK.

DIMENSION ALL DIMENSIONS ARE IN MM AND LEVELS ARE IN METER. ALL DIMENSIONS ARE TO BE READ AND NOT TO BE MEASURED.

MASONRY SPEC. ALL MASONRY WALLS SHALL BE CONSTRUCTED FROM BURNT CLAY BRICKS UP TO 300 mm LEVEL WITH MIN. COMPRESSIVE STRENGTH OF 7.5 N/mm² ON GROSS AREA UNLESS OTHERWISE SPECIFIED. BRICK MASONRY SHALL BE BEDDED WITH CEMENT - SAND MORTAR IN PROPORTION OF 1:4 UNLESS OTHERWISE SPECIFIED.

CONC. SPEC. ALL CONCRETE MIX W/CS UNLESS OTHERWISE SPECIFIED.

REINFORCE. ALL REINFORCEMENT SHALL BE PROVIDED FROM COMPRESSED STABILIZED EARTH BLOCK WITH MIN. COMPRESSIVE STRENGTH OF 7.5 N/mm² ON GROSS AREA UNLESS OTHERWISE SPECIFIED.

COVER REINFORCE. COVER TO MAIN STEEL IS AS FOLLOWS: PILES : 50 mm PALE CAP : 40 mm GRADE BEAM : 30 mm FOOTINGS : 50 mm DECS & TOP : 40 mm BOTTOM : 50 mm COLUMNS & PEDESTALS : 40 mm BEAMS & LINTELS : 30 mm SLABS : 25 mm

LEGENDS: [Symbol] COLUMN/WALL STARTS FROM THIS LEVEL [Symbol] COLUMN/WALL STOPS AT THIS LEVEL

FOR TENDER PURPOSE ONLY

No.	Date	Remarks

Revisions

Date	Prints Issued to	Date	Prints Issued to

Distribution of Prints

Consultants

- Structural Consultants: VINOD SHAH Consulting Engineers Pvt. Ltd.
- Services Consultants: DBHMS
- Landscape Consultants: Earthscapes Consultancy Pvt Ltd
- Road and Pathways Consultants: Arhmm Infra Consultants LLP

Project: Nalanda University, Rajgir, Bihar

Title: STRUCTURAL G.A. DRAWINGS OF FIRST FLOOR LINTEL PLAN & DETAILS FOR STUDENT HOUSING (TYPE-09)

Drawn: HS Drawing No. NUC-RSH-S-A.9.6
Checked: AJ
Scale: 1:50, 1:25
Date: 09/06/2016

VASTU SHILPA CONSULTANTS
Architects | Planners | Urban Designers

Sangam, Thaha Road, Arrah, Bihar - 80054
Phone: 079-27454537 Fax: 079-27452006
www.sangam.org e-mail: vsc@sangam.org