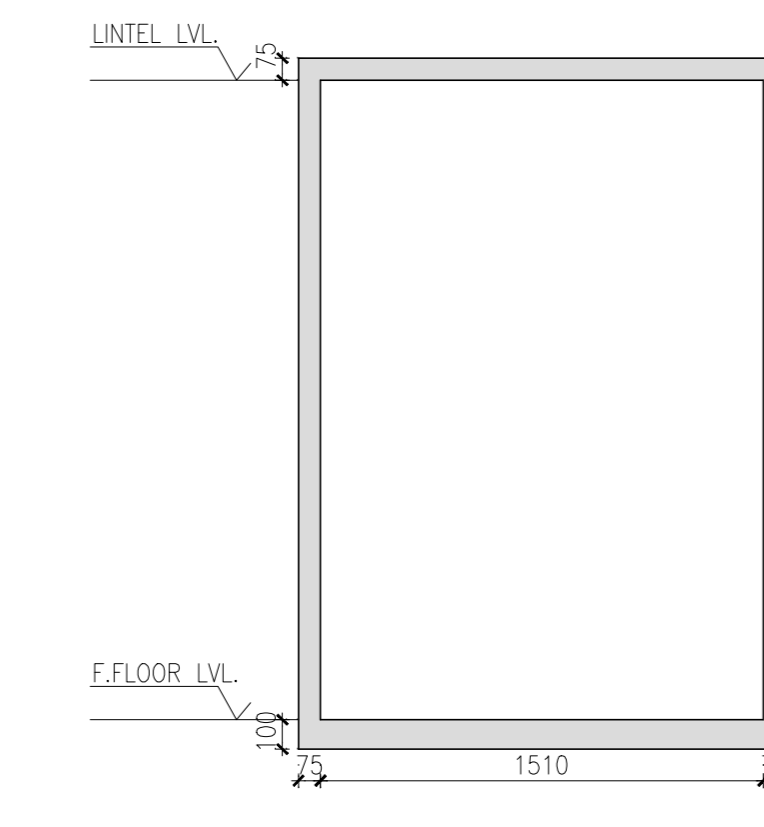
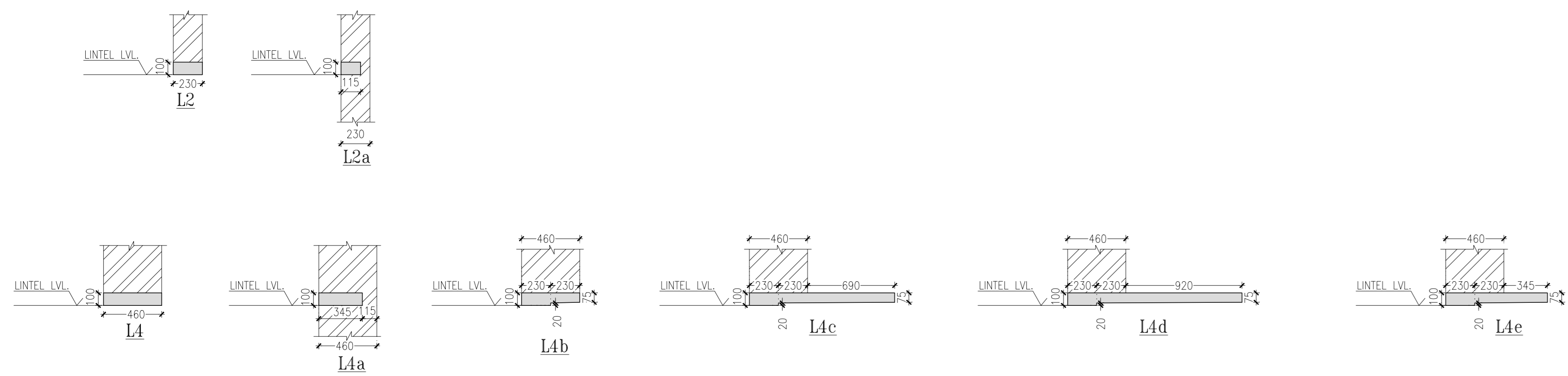
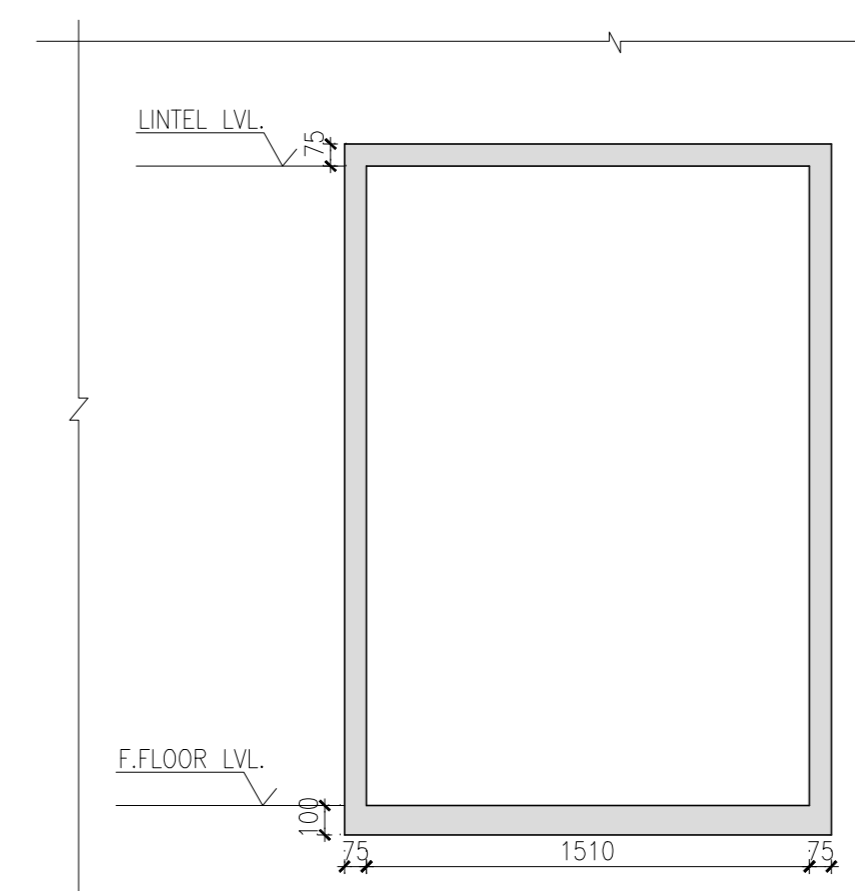


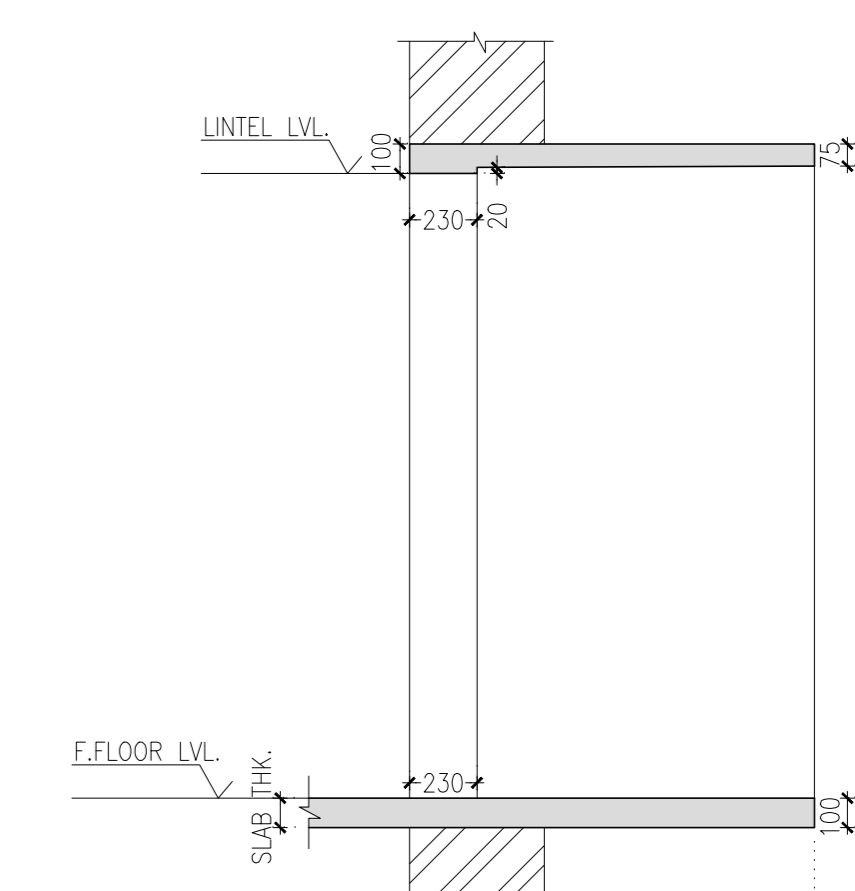
FIRST FLOOR LINTEL PLAN



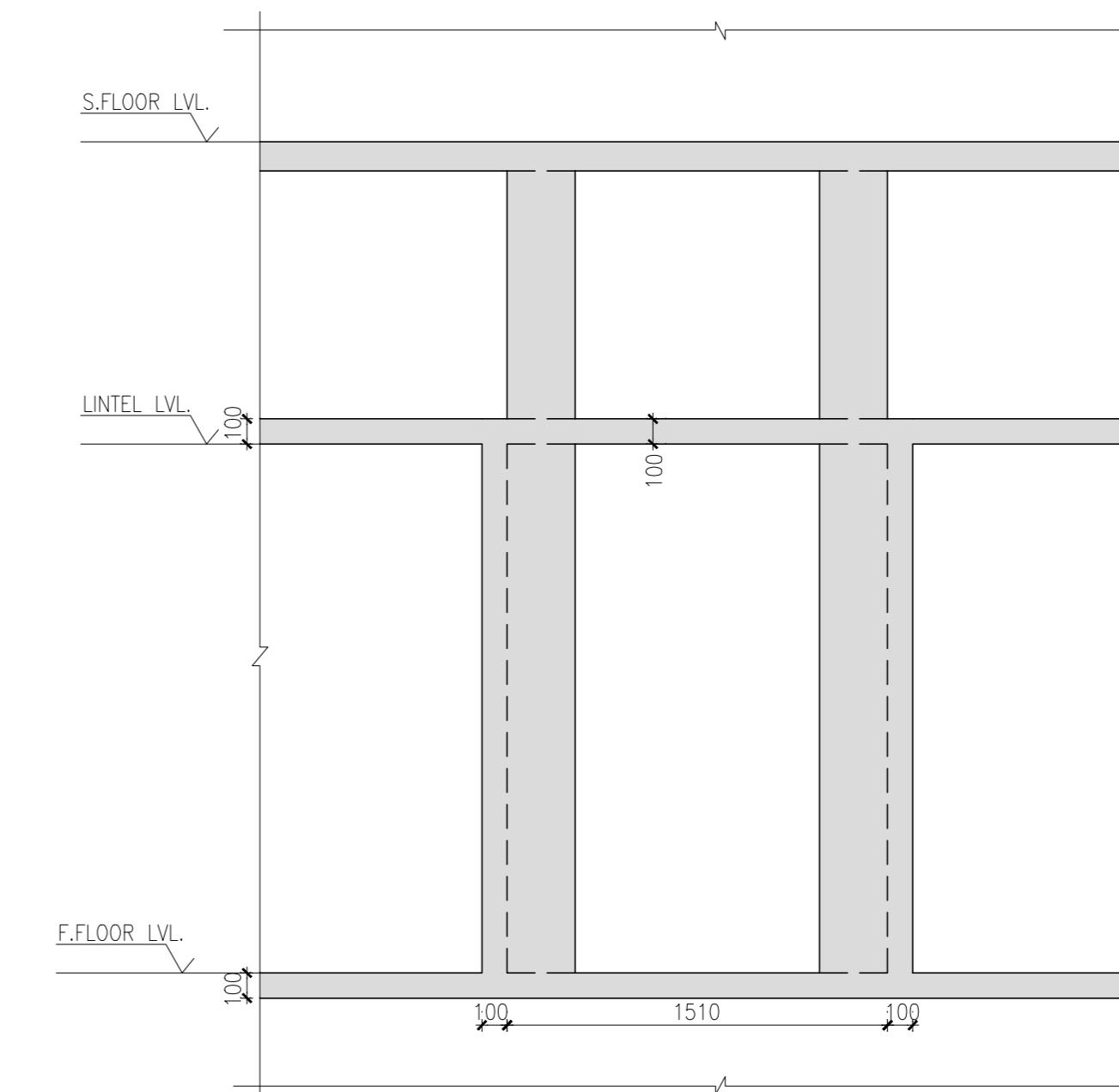
SECTION d3-d3



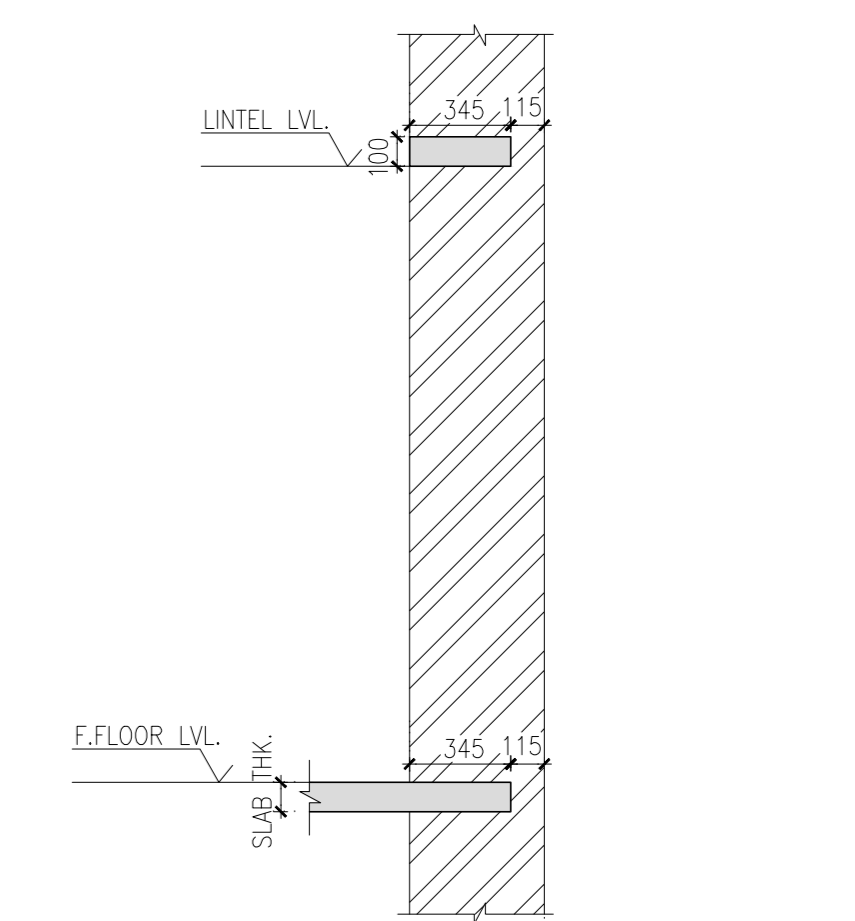
SECTION d2-d2



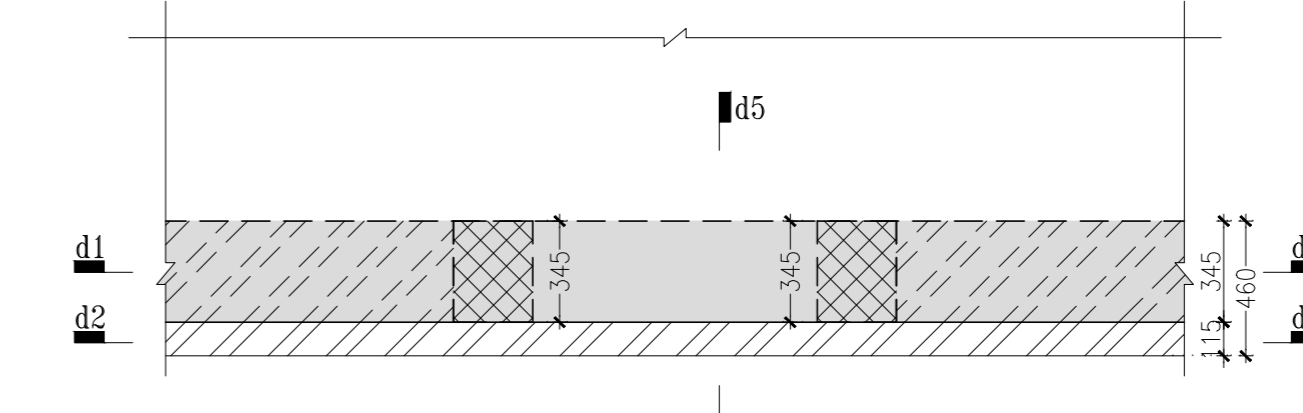
SECTION d5-d5



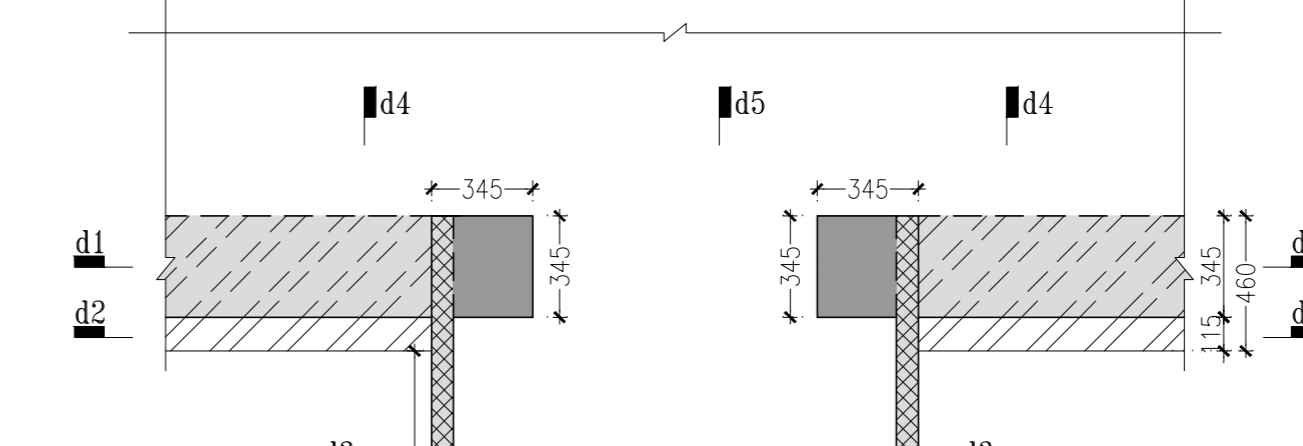
SECTION d1-d1



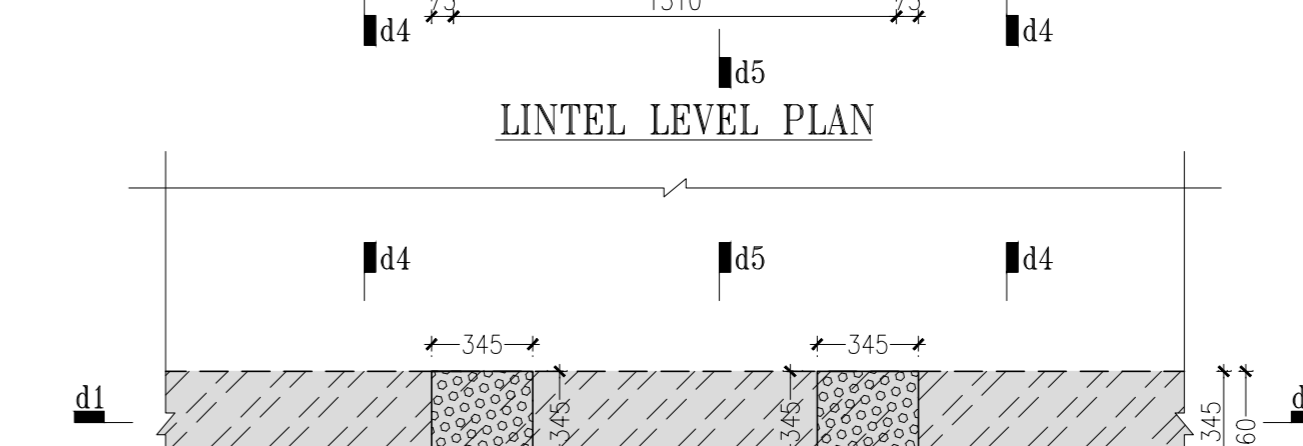
SECTION d4-d4



FLOOR LEVEL PLAN



LINTEL LEVEL PLAN



FLOOR LEVEL PLAN

DETAIL-D
(TYP. DETAIL OF JAMB LINTEL BAND (L4d)
FOR OPENING)

THIS DRAWING IS THE PROPERTY OF VINOD SHAH Consulting Engineers Pvt. Ltd. AND NOT TO BE COPIED OR USED WITHOUT THEIR PERMISSION.

NOTES:

DETAIL	REMARKS
REFERENCE	ALL DIMENSIONS TO BE CHECKED AND CORRELATED WITH ALL RELATED DRAWINGS AND ANY AMBIGUITY SHALL BE IMMEDIATELY BROUGHT TO THE NOTICE OF THE ENGINEER BEFORE COMMENCEMENT OF THE WORK.
DIMENSION	ALL DIMENSIONS ARE MM AND LEVELS ARE IN METERS.
MASONRY SPEC.	ALL MASONRY WALLS SHALL BE CONSTRUCTED FROM BURNING CLAY BRICKS UP TO 300 mm WITH MIN. COMPRESSIVE STRENGTH OF 7.5 N/mm ² ON GROSS AREA UNLESS OTHERWISE SPECIFIED.
CEILING SPEC.	CEILING MASONRY SHALL BE BEDDED WITH CEMENT : SAND MORTAR IN PROPORTION OF 1:4 UNLESS OTHERWISE SPECIFIED.
CONC. SPEC.	ALL CONCRETE MIX W/CS UNLESS OTHERWISE SPECIFIED.
REINFORCEMENT	REINFORCEMENT INDICATES TMT STEEL (Fe 500) OF YIELD STRENGTH 500 N/mm ² .
COVER	CLEAR COVER TO MAIN STEEL IS AS FOLLOWS: PILLS : 50 mm PILE CAP : 40 mm GRADE BEAM : 30 mm FOOTINGS : 50 mm DECK & TOP : 40 mm BOTTOM : 40 mm COLUMNS & PEDESTALS : 40 mm BEAMS & LINTELS : 30 mm SLABS : 25 mm
LAP/ SPLICES	LAP LENGTH IS FIFTY TIMES BAR DIAMETER.
LEGENDS:	<ul style="list-style-type: none"> Column/Wall Starts from this level. Column/Wall Stops at this level.

FOR TENDER PURPOSE ONLY

No.	Date	Remarks

Revisions

Date	Prints Issued to	Date	Prints Issued to

Distribution of Prints

Consultants

- Structural Consultants: VINOD SHAH Consulting Engineers Pvt. Ltd.
- Services Consultants: DBHMS
- Landscape Consultants: Earthscapes Consultancy Pvt Ltd
- Road and Pathways Consultants: Arhmm Infra Consultants LLP

Project: Nalanda University, Rajgir, Bihar

Title: STRUCTURAL G.A. DRAWINGS OF FIRST FLOOR LINTEL PLAN & DETAILS FOR STUDENT HOUSING (TYPE-012)

Dealt : HS
Checked : AJ
Date : 09/06/2016

Drawing No. : NUC-RSH - S - A.12.6
Scale : 1:50, 1:25

VASTU SHILPA CONSULTANTS
Architects | Planners | Urban Designers

Sangam, Thaha Road, Arrahabad - 380504
Phone: 079-27454537 Fax: 079-27452006
www.sangam.org e-mail: vsc@sangam.org