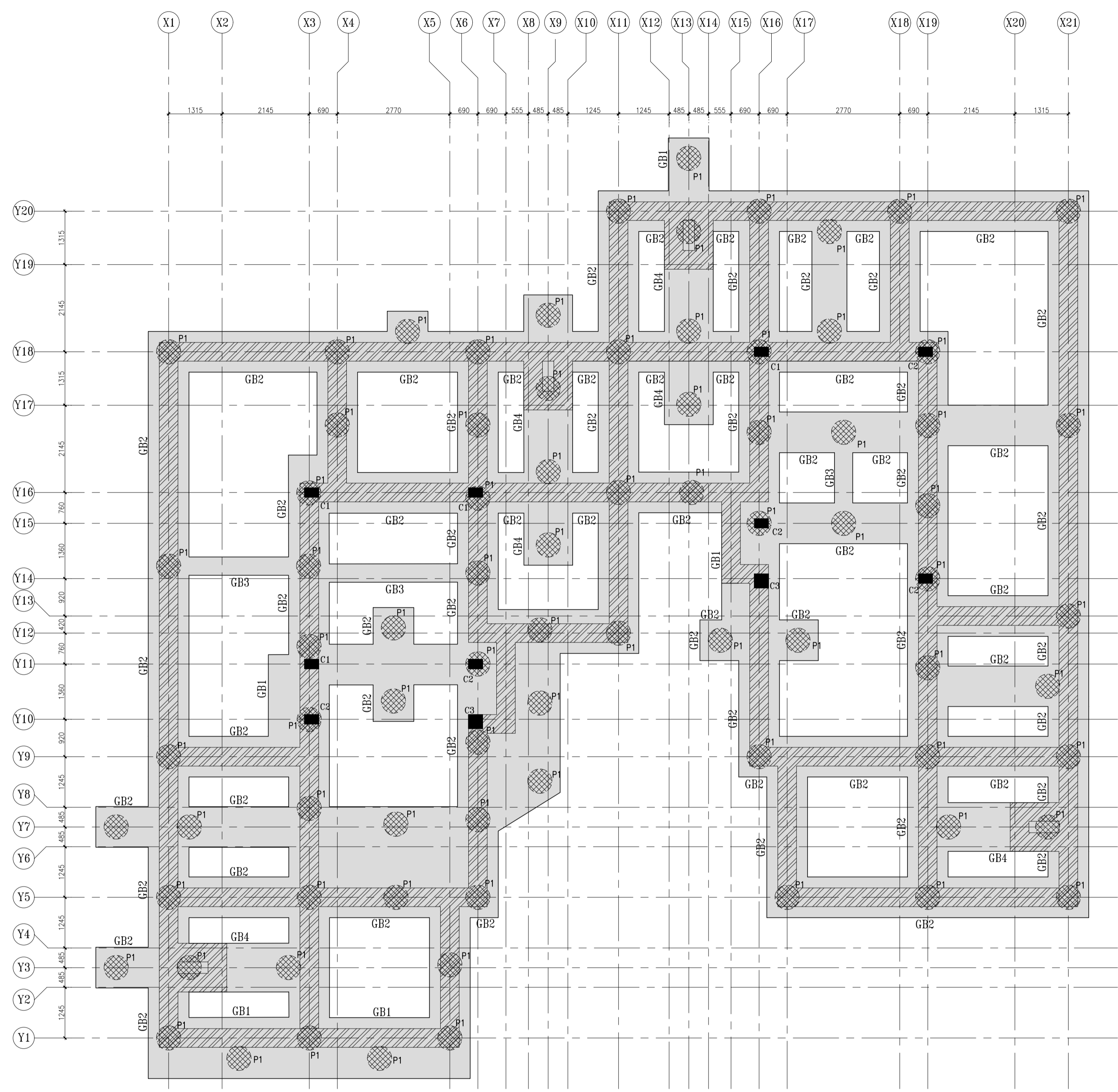


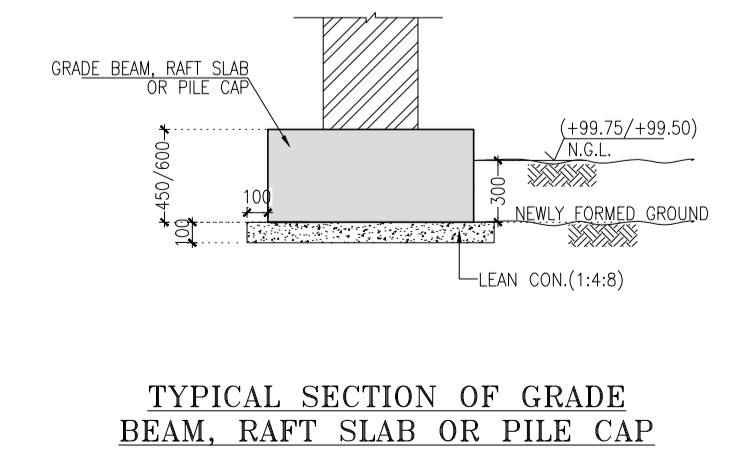
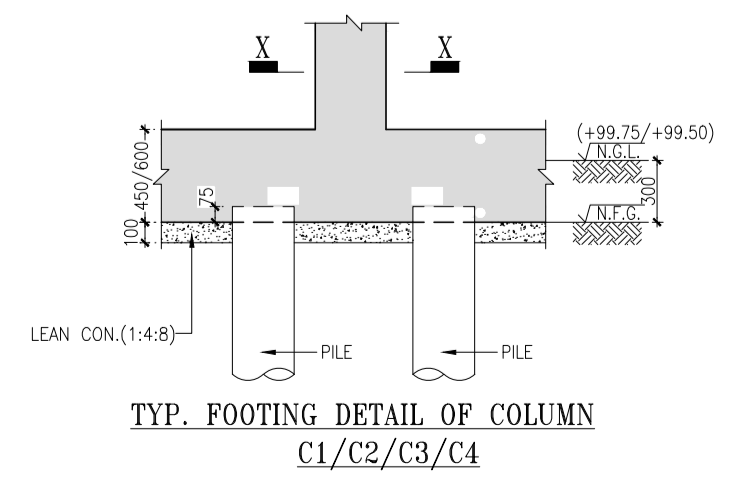
THIS DRAWING IS THE PROPERTY OF VINOD SHAH CONSULTING ENGINEERS PVT. LTD. AND NOT TO BE COPIED OR USED WITHOUT THEIR PERMISSION.

DETAIL	REMARKS
REFERENCE	ALL DIMENSIONS TO BE CHECKED AND CORRELATED WITH ALL RELATED DRAWINGS AND ANY AMBIGUITY SHALL BE IMMEDIATELY BROUGHT TO THE NOTICE OF THE ENGINEERS BEFORE COMMENCEMENT OF THE WORK.
DIMENSION	ALL DIMENSIONS ARE IN METERS AND LEVELS ARE TO BE MEASURED FROM THE FINISHED FLOOR LEVEL UNLESS OTHERWISE SPECIFIED.
FOUNDATION PILES	PILE WORK TO BE DONE AS PER IS 2911-2010 WITH AND ROUTINE TEST OF PILES TO BE CARRIED OUT AS PER IS 2911 (Part-04)-1985 FILING ON BOTH SIDES OF WALL WHEN REQUIRED SHALL BE BRANCHED IN STAKES AND LAYERS.
MASONRY SPEC.	ALL MASONRY WALLS SHALL BE CONSTRUCTED FROM BURNT CLAY BRICKS UP TO SILL LEVEL WITH MIN. COMPRESSIVE STRENGTH OF 7.5 N/mm <sup>2</sup> ON GROSS AREA UNLESS OTHERWISE SPECIFIED.
CSE BLOCK MASONRY SPEC.	BRICK MASONRY SHALL BE BEDDED WITH CEMENT : SAND MORTAR IN PROPORTION OF 1:4 UNLESS OTHERWISE SPECIFIED.
CONC. SPEC.	ALL CONCRETE MIX M25 UNLESS OTHERWISE SPECIFIED.
REINFORCEMENT	REINFORCES THE STEEL (Fe 500) OF YIELD STRENGTH 500 N/mm <sup>2</sup>
COVER	CLEAR COVER TO MAIN STEEL IS AS FOLLOWS: PILES : 50 mm PILE CAP : 40 mm GRADE BEAM : 30 mm FOOTINGS : 50 mm SLOES & TOP : 50 mm BOTTOM : 40 mm COLUMNS & PEDESTALS : 40 mm BEAMS & LINTELS : 30 mm SLABS : 25 mm
LAPS/ SPLICES	LAP LENGTH IS FIFTY TIMES BAR DIAMETER
LEGENDS:	 COLUMN/WALL STARTS FROM THIS LEVEL COLUMN/WALL STOPS AT THIS LEVEL



GRADE BEAM LAYOUT

COLUMN SCHEDULE		GRADE BEAM SCHEDULE	
COLUMN	SIZE	BEAM	SIZE
C1	230X345	GB1	1500X600
C2	230X230	GB2	1000X600
C3	345X345	GB3	450X600
		GB4	1200X600



SECTION X-X (COLUMN-C1)  
SECTION X-X (COLUMN-C2)  
SECTION X-X (COLUMN-C3)

FOR TENDER PURPOSE ONLY

No.	Date	Remarks

Revisions

Date	Prints Issued to	Date	Prints Issued to

Distribution of Prints

- Consultants
- Structural Consultants  
VINOD SHAH CONSULTING ENGINEERS PVT. LTD.
  - Services Consultants  
DBHMS
  - Landscape Consultants  
Earthscapes Consultancy P4 Ltd
  - Road and Pathways Consultants  
Atrium Intra Consultants LLP

Project  
**Nalanda University, Rajgir, Bihar**

Title  
**STRUCTURAL G.A. DRAWINGS OF GRADE BEAM LAYOUT & DETAILS FOR STUDENT HOUSING (TYPE-06)**

Drawn By : HS  
Checked By : AJ  
Scale : 1:50, 1:25  
Date : 09/06/2016

Project No. : NUC-RSH-S-A-6.2

VASTU SHILPA CONSULTANTS  
Architects | Planners | Urban Designers

Sangam, Thaltej Road, Ahmedabad - 380054  
Phone: 079-27454537 Fax: 079-27452006  
www.vastushilpa.org e-mail: vsc@vastushilpa.org