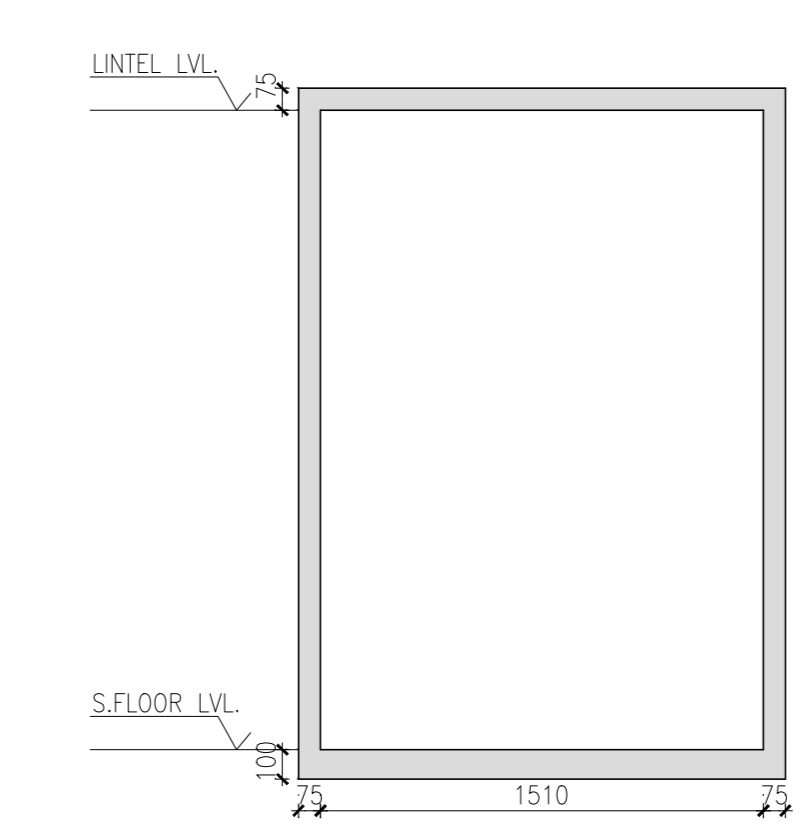
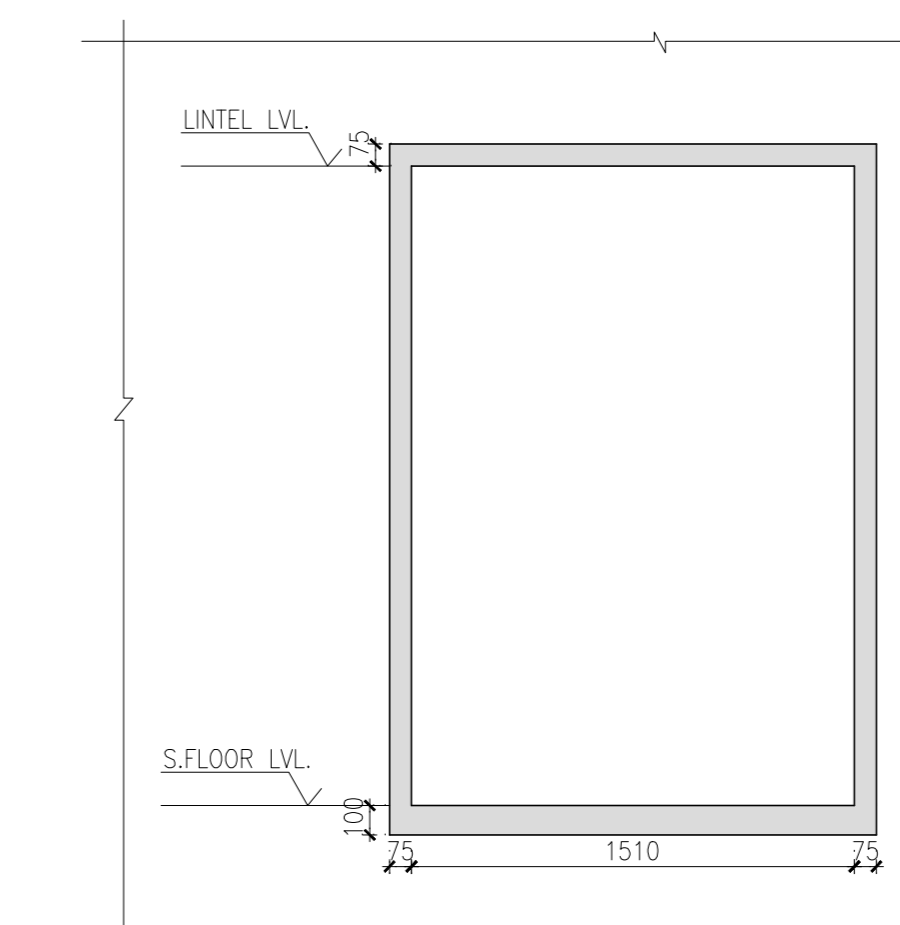


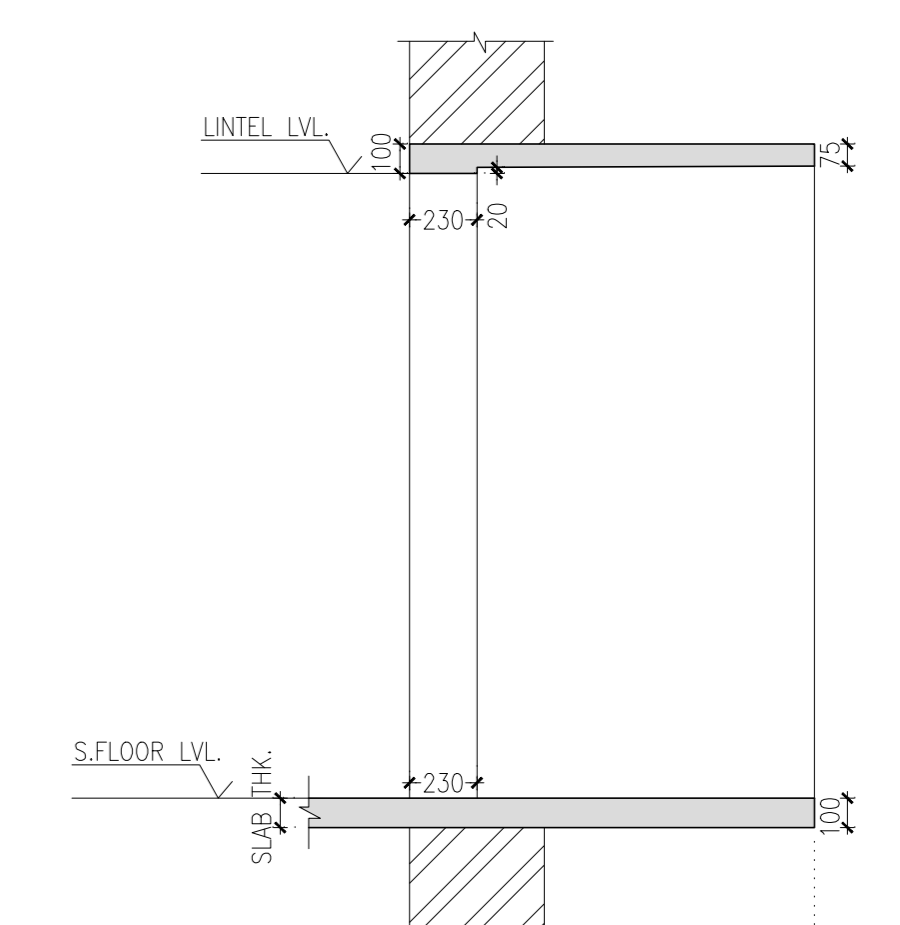
SECOND FLOOR LINTEL PLAN



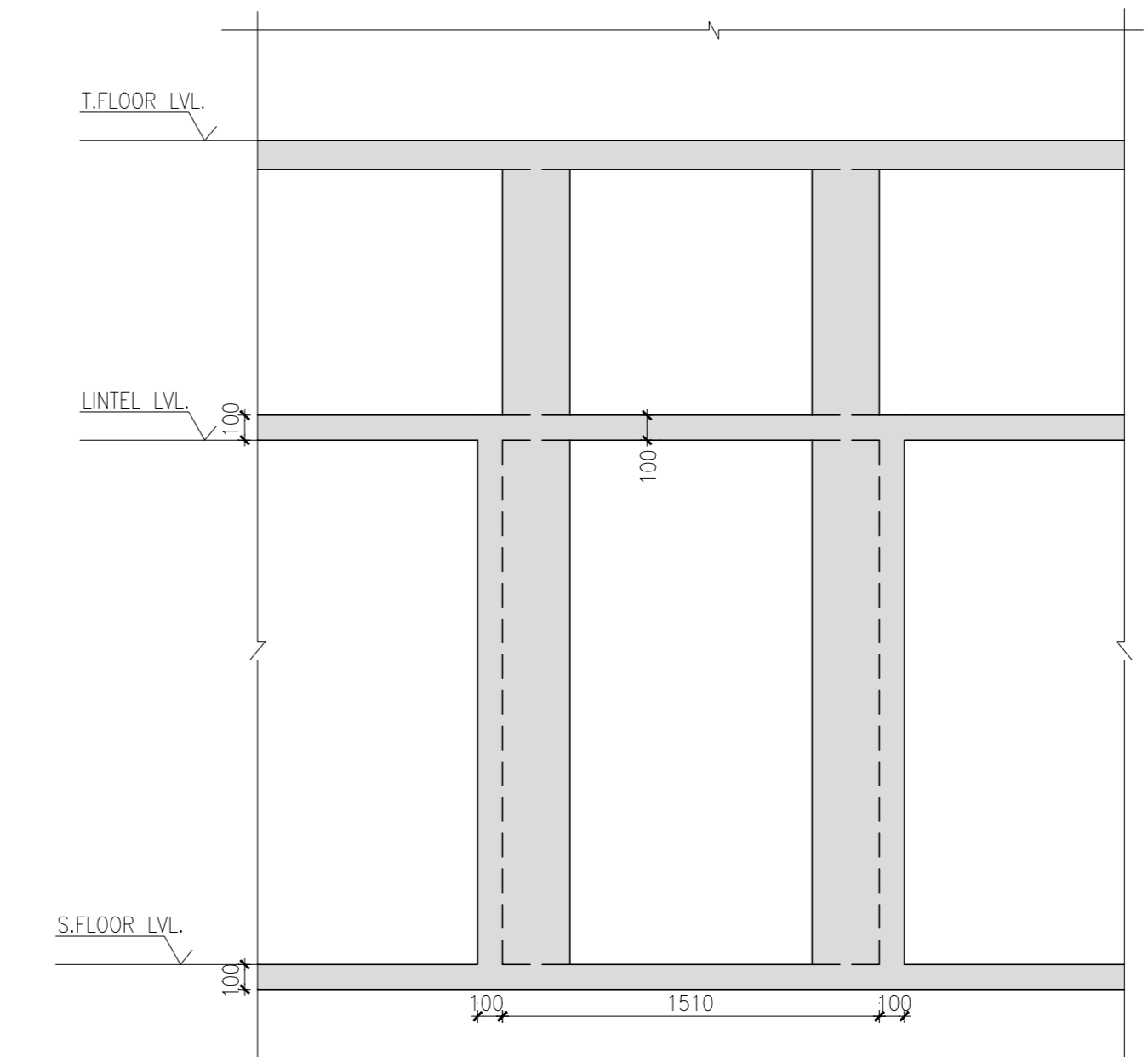
SECTION d3-d3



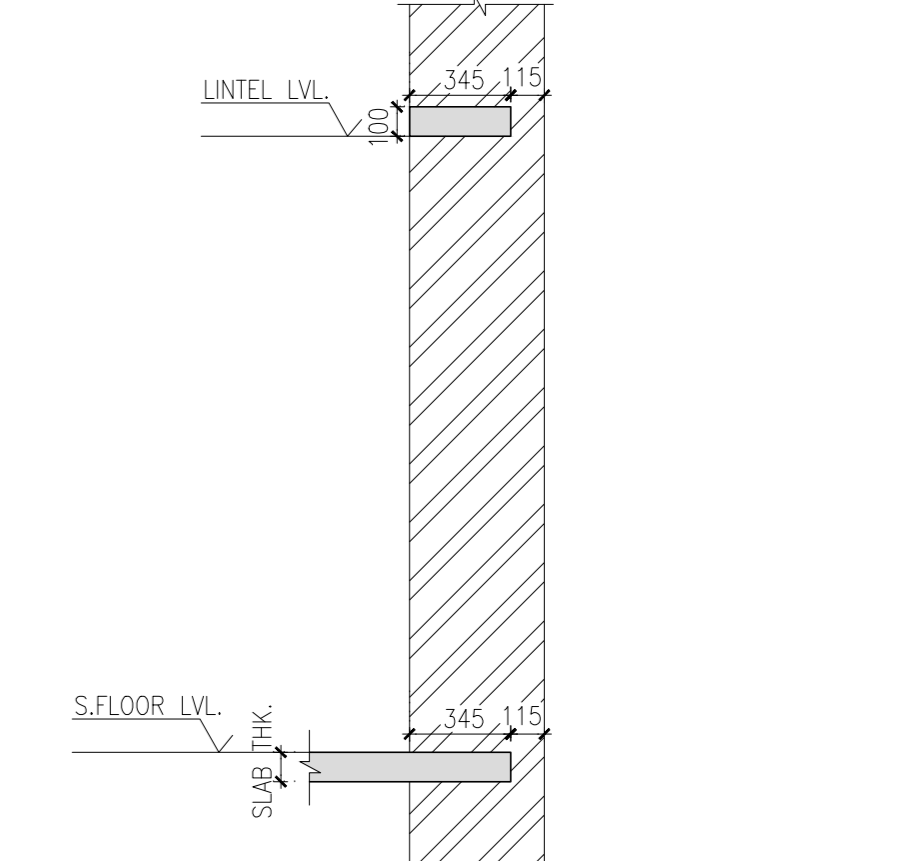
SECTION d2-d2



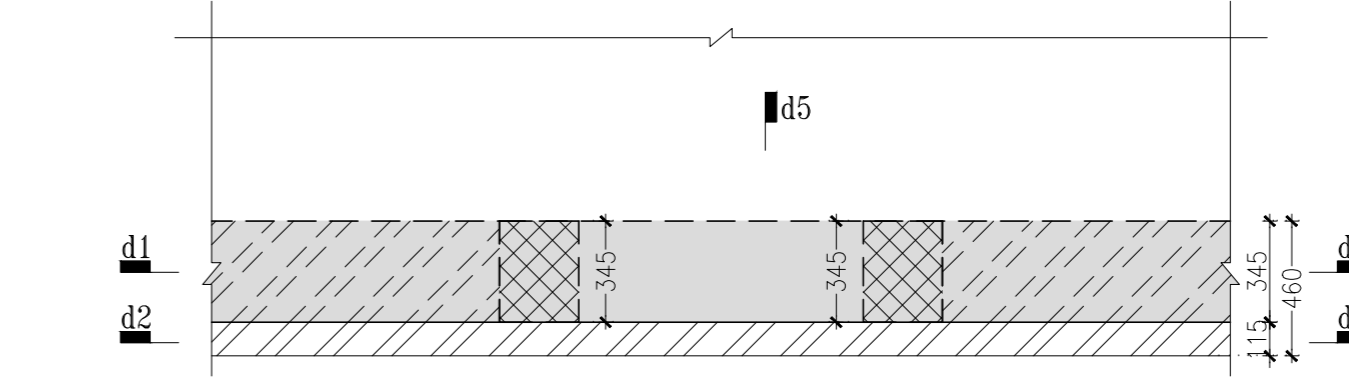
SECTION d5-d5



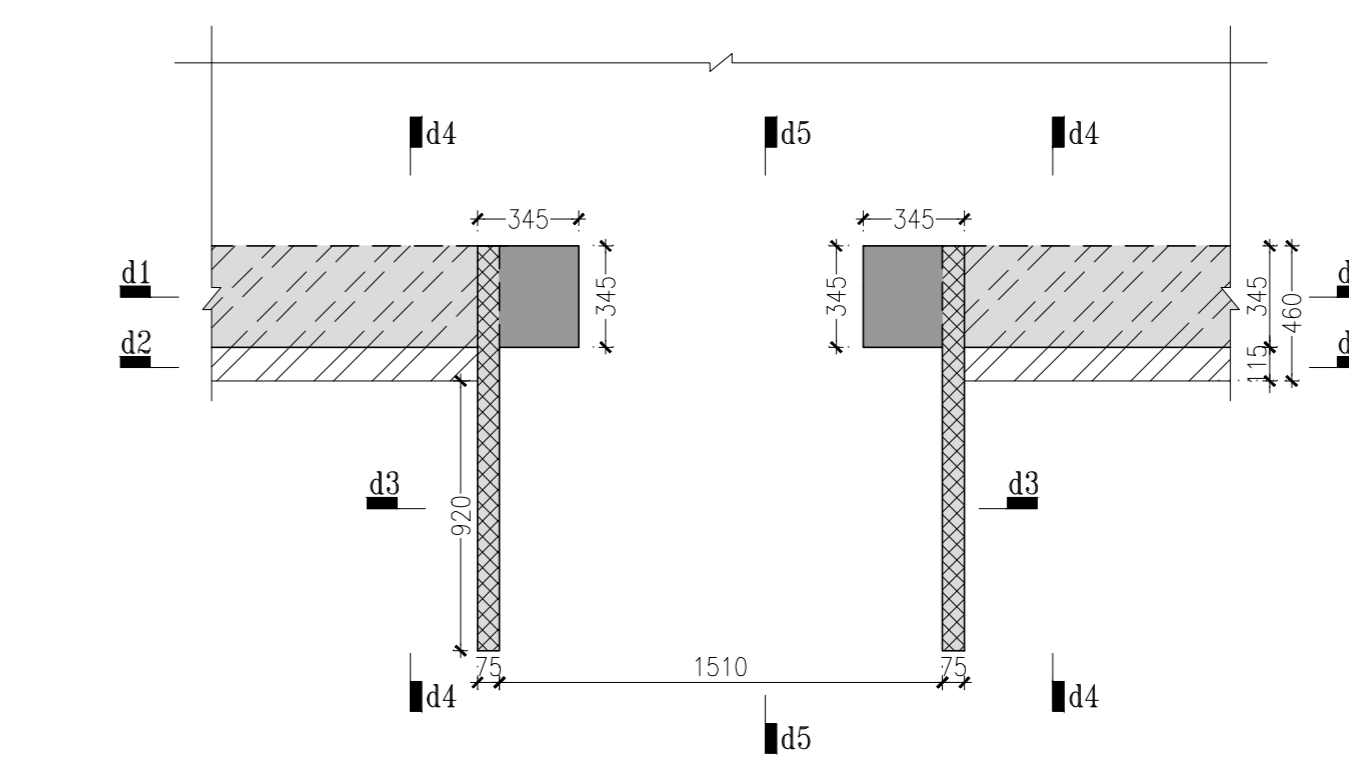
SECTION d1-d1



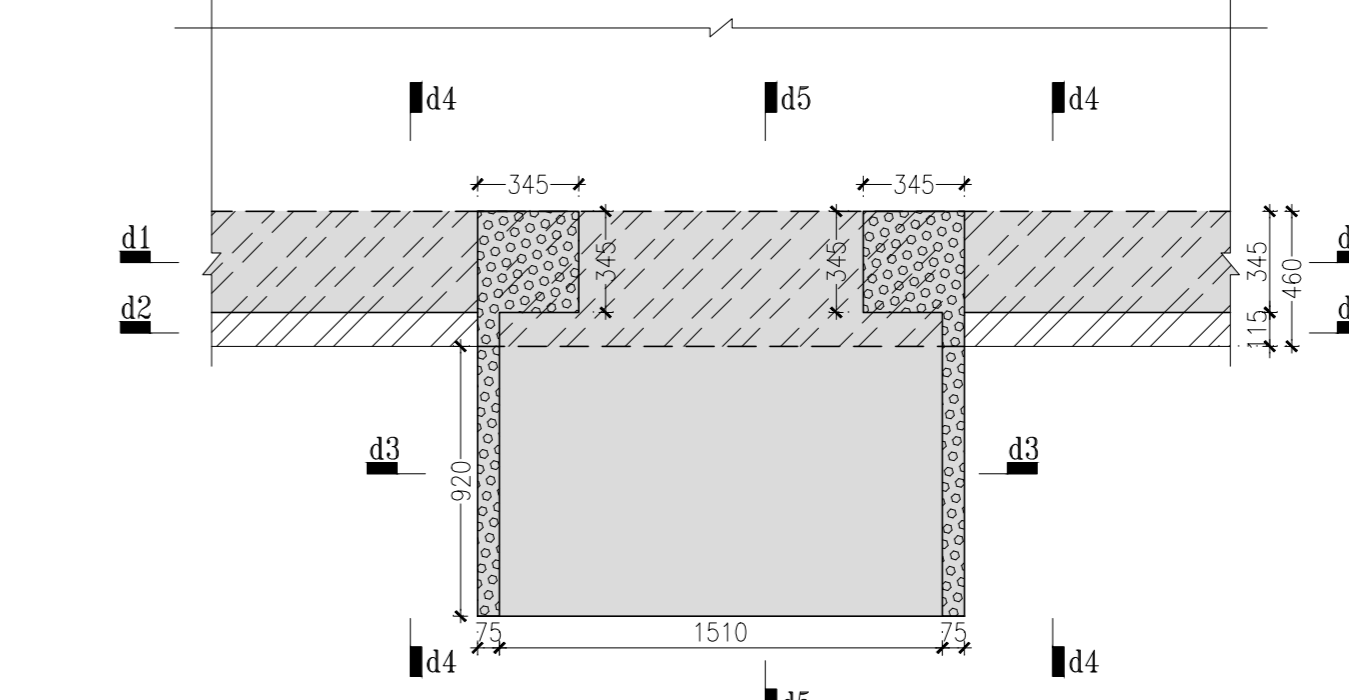
SECTION d4-d4



FLOOR LEVEL PLAN

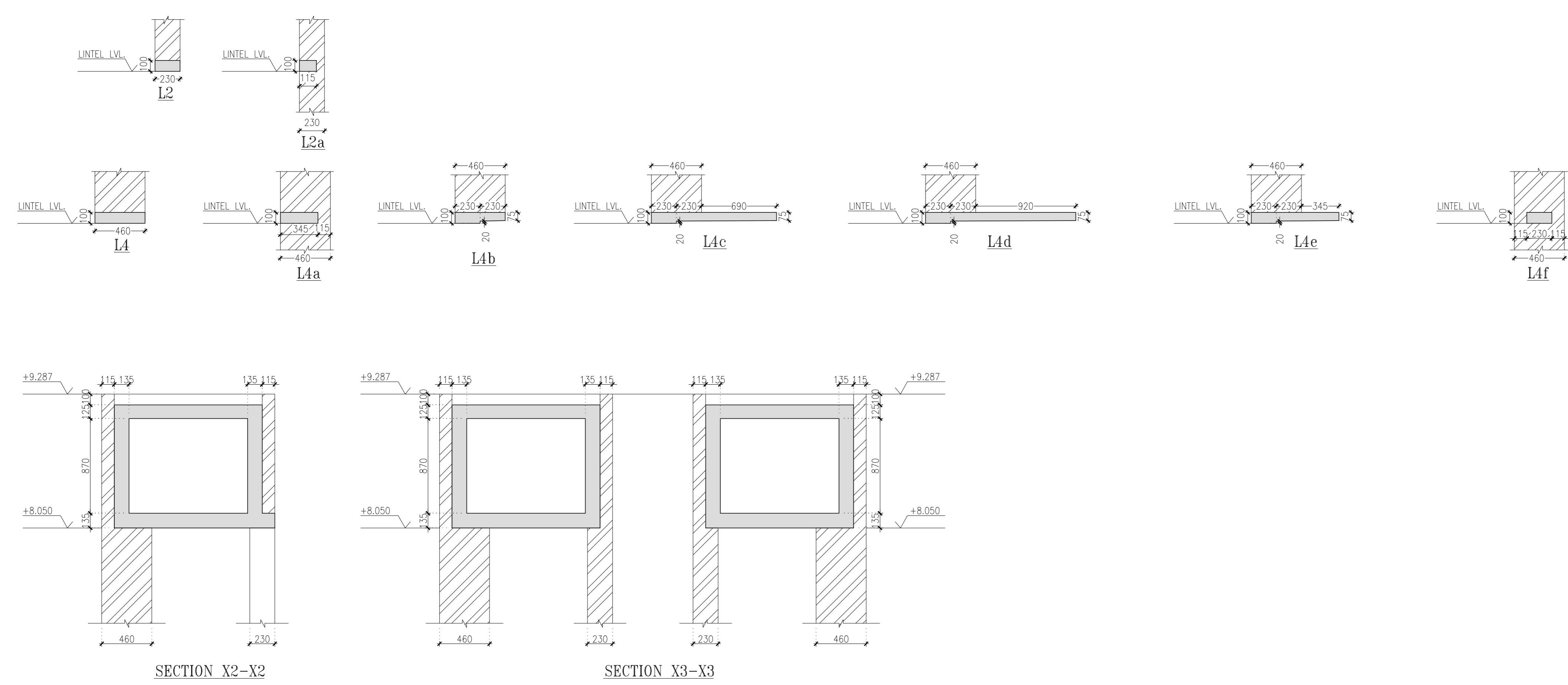


LINTEL LEVEL PLAN



FLOOR LEVEL PLAN

DETAIL-D (TYP. DETAIL OF JAMB, LINTEL BAND (L4d) FOR OPENING)



SECTION X2-X2

SECTION X3-X3

THIS DRAWING IS THE PROPERTY OF VINOD SHAH Consulting Engineers Pvt. Ltd. AND NOT TO BE COPIED OR USED WITHOUT THEIR PERMISSION.

NOTES:

DETAIL	REMARKS
REFERENCE	ALL DIMENSIONS TO BE CHECKED AND CORRELATED WITH ALL RELATED DRAWINGS AND ANY AMBIGUITY SHALL BE IMMEDIATELY BROUGHT TO THE NOTICE OF THE ENGINEER BEFORE COMMENCEMENT OF THE WORK.
DIMENSION	ALL DIMENSIONS ARE MM AND LEVELS ARE IN METERS.
MASONRY SPEC.	ALL MASONRY WALLS SHALL BE CONSTRUCTED FROM BURNT CLAY BRICKS UP TO SLAB LEVEL WITH MIN. COMPRESSIVE STRENGTH OF 7.5 N/mm ² ON GROSS AREA UNLESS OTHERWISE SPECIFIED.
CONC. SPEC.	ALL CONCRETE MIX M25 UNLESS OTHERWISE SPECIFIED.
REINFORCE	R INDICATES TMT STEEL (Fe 500) OF YIELD STRENGTH 500 N/mm ² .
COVER	CLEAR COVER TO MAIN STEEL IS AS FOLLOWS: PILES : 50 mm PALE CAP : 40 mm GRADE BEAM : 30 mm FOOTINGS : 50 mm DECK & TOP BOTTOM : 50 mm COLUMNS & PEDESTALS : 40 mm BEAMS & LINTELS : 30 mm SLABS : 25 mm
LAP/ SPLICES	LAP LENGTH IS FIFTY TIMES BAR DIAMETER.
LEGENDS:	[Hatched Pattern] COLUMN/WALL STARTS FROM THIS LEVEL. [Dotted Pattern] COLUMN/WALL STOPS AT THIS LEVEL.

FOR TENDER PURPOSE ONLY

No.	Date	Remarks

Revisions

Date	Prints Issued to	Date	Prints Issued to

Distribution of Prints

Consultants

- Structural Consultants: VINOD SHAH Consulting Engineers Pvt. Ltd.
- Services Consultants: DBHMS
- Landscape Consultants: Earthscapes Consultancy Pvt. Ltd.
- Road and Pathways Consultants: Arhmm Infra Consultants LLP

Project: Nalanda University, Rajgir, Bihar

Title: STRUCTURAL G.A. DRAWINGS OF SECOND FLOOR LINTEL PLAN & DETAILS FOR STUDENT HOUSING (TYPE-03)

Dealt : HS Drawing No. NUC-RSH-S-A-3.8
 Checked : AJ
 Scale : 1:50, 1:25
 Date : 09/06/2016

VASTU SHILPA CONSULTANTS
 Architects | Planners | Urban Designers
 Sangam, Thaha Road, Arrahabad - 380504
 Phone: 079-27454537 Fax: 079-27452006
 www.sangam.org e-mail: vsc@sangam.org