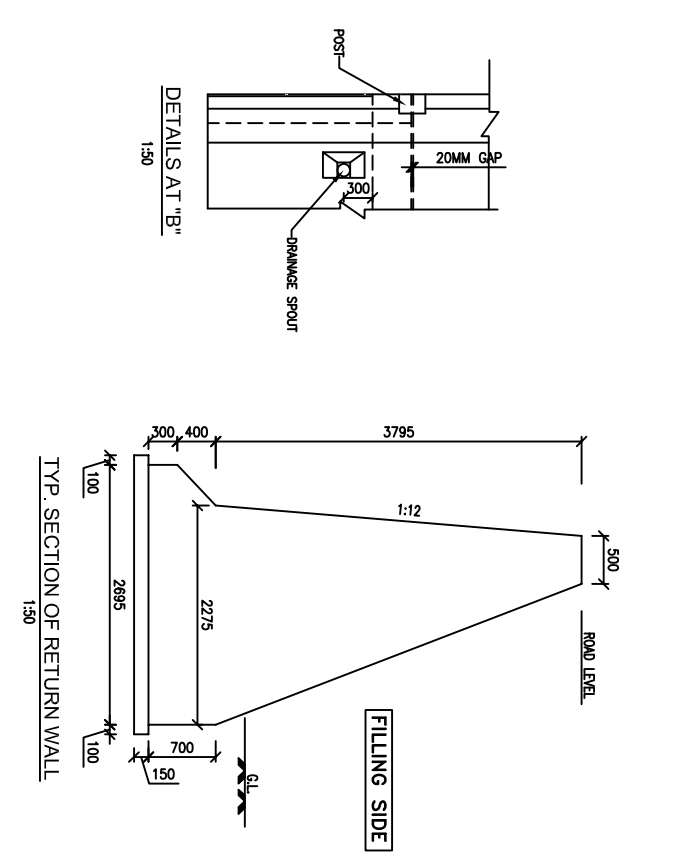
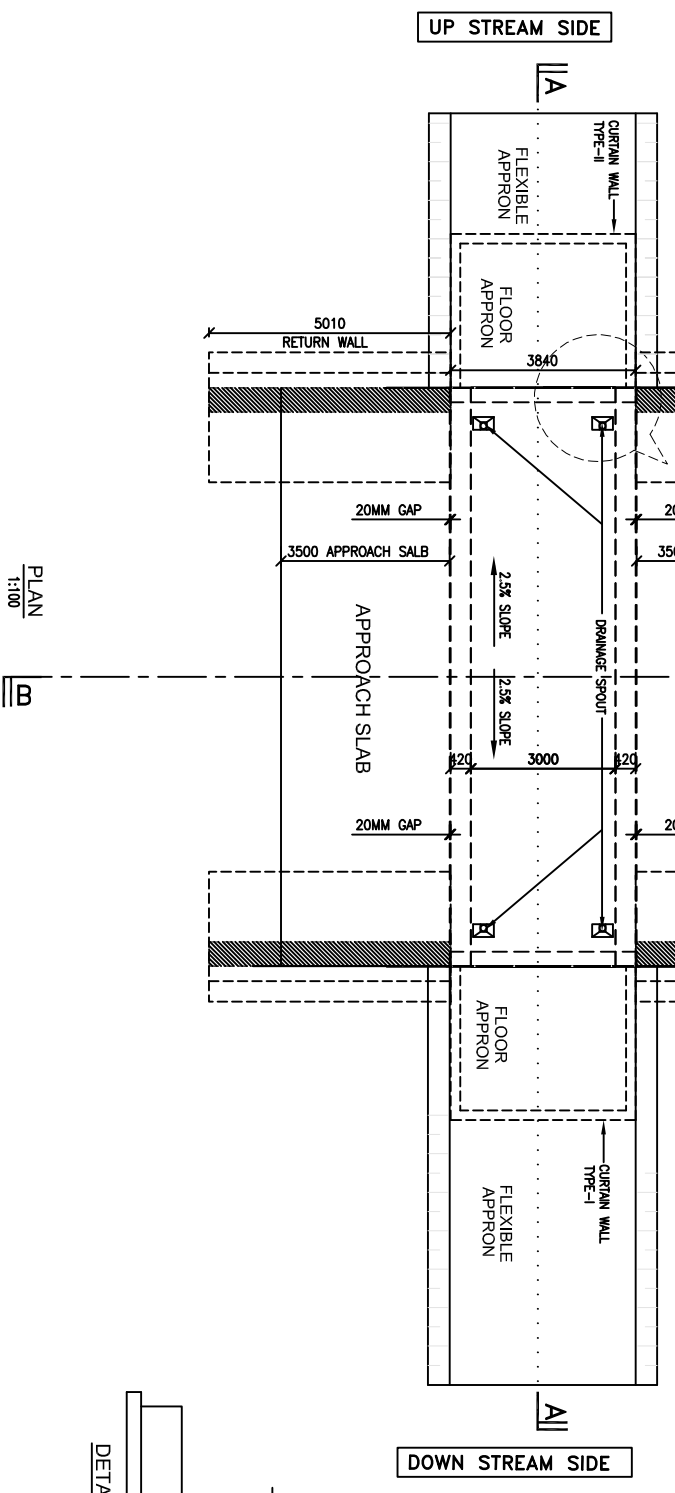
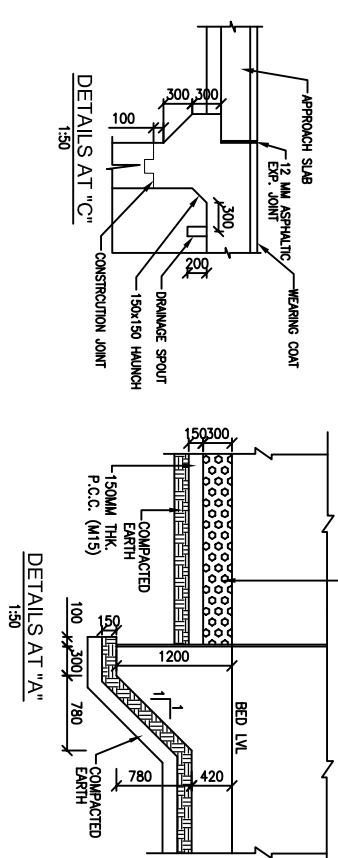


- NOTES:
1. ALL DIMENSIONS ARE IN MILLIMETERS AND LEVELS ARE IN METER.
 2. DO NOT SCALE THIS DRAWING.
 3. THE ARRANGEMENTS SHOWN IN THIS DRAWING IS PRELIMINARY AND WILL BE FINALISED AS PER DETAILED DESIGN.
 4. CONCRETE SHALL BE DESIGN MIX AND SHALL HAVE MINIMUM 28 DAYS CHARACTERISTIC STRENGTH ON 150MM CUBES FOR ALL ELEMENTS OF STRUCTURE AS INDICATED BELOW.

- ELEMENTS
- | | |
|-------------------------------|------|
| (a) BOX CELL STRUCTURE | M:25 |
| (b) WING WALL | M:20 |
| (c) CURTAIN WALL | M:15 |
| (d) LEVELLING COURSE (P.C.C.) | M:30 |
| (e) KERB & RAILING | M:30 |
| (f) APPROACH SLAB | M:30 |
| (g) WEARING COAT | M:30 |
- CONCRETE GRADE



Project: **Nalanda University, Rajgir, Bihar**

Consultants: **Structural Consultants**
 VR SHAH Consulting Engineers
Services Consultants
 DBHMS
Landscape Consultants
 Earthscape Consultancy/Pvt Ltd
Road and Pathways Consultants
 Armani Infra Consultants LLP

Architects / Planners / Urban Designers: **VASTU SHILPA CONSULTANTS**

Detail: Gautam Gahl
 Checked: V.S.P.
 Scale: 1:100
 Date: 27/05/16

Drawing No.: N/C - RD - TS - 001

Title: **CONSTRUCTION OF RCC BOX CULVERT**
1 CELL 3 x 3 M (TENDER-1)

Sanjay, Thakur Road, Ambedkar - 80004
 Phone: 079 - 27454537 Fax: 079 - 27452006
 www.vastushilpa.org e-mail: vsc@vastushilpa.org