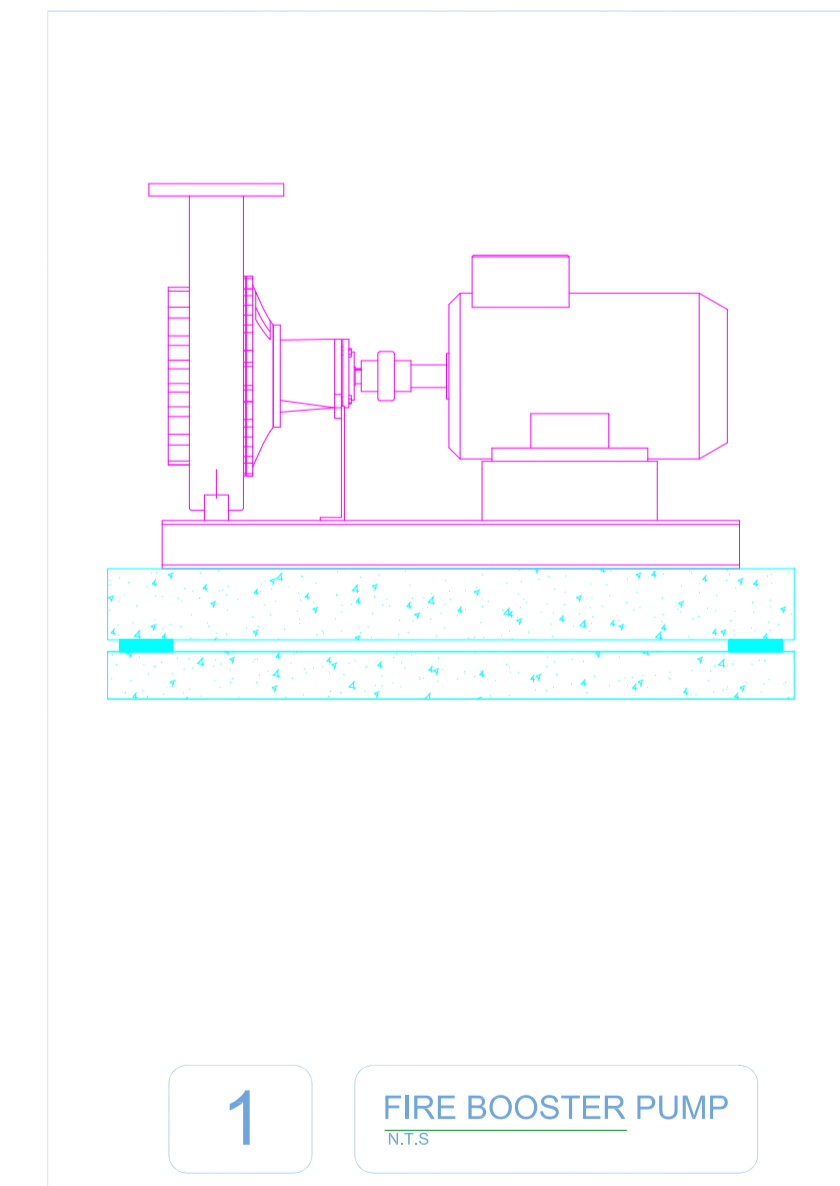
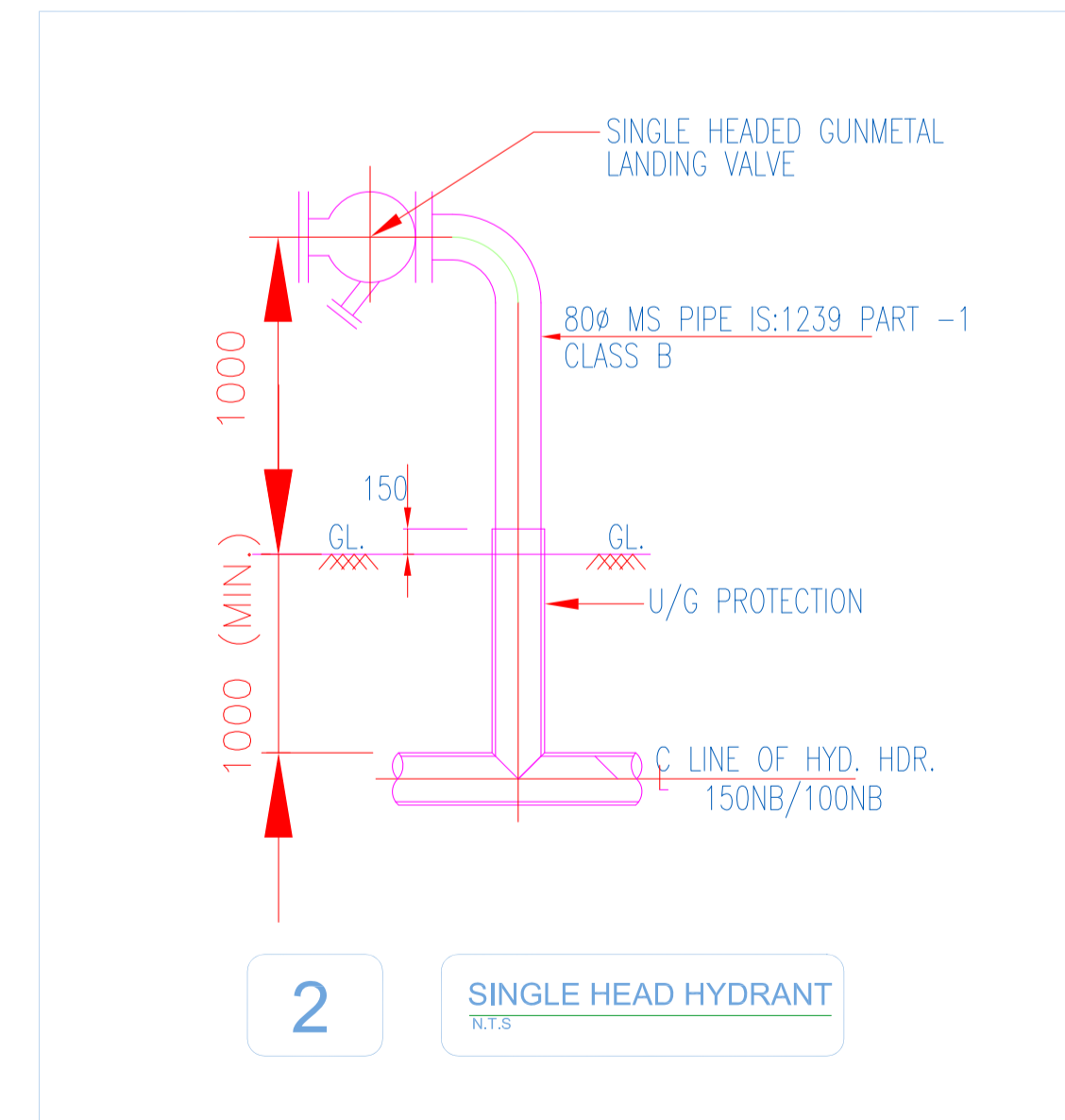
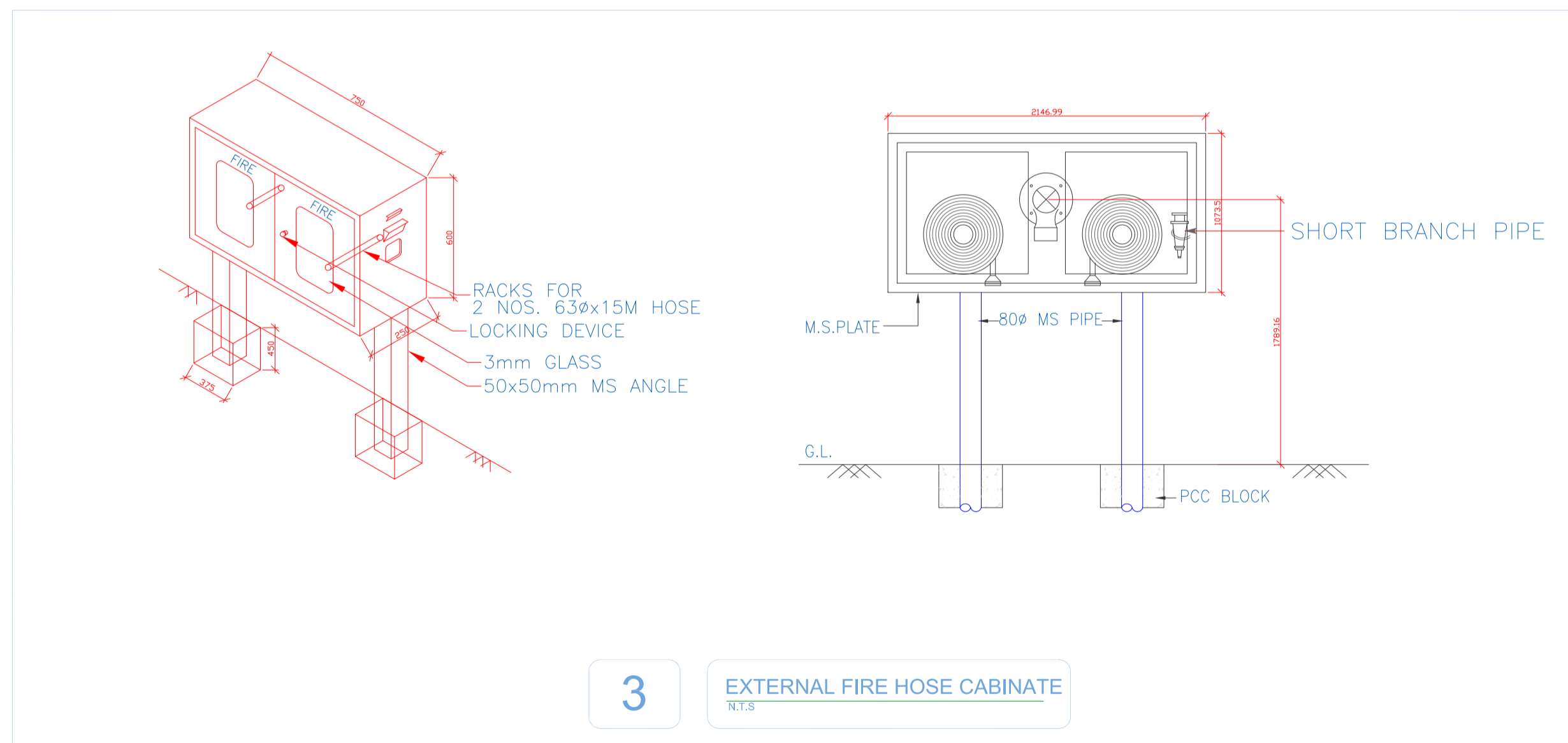
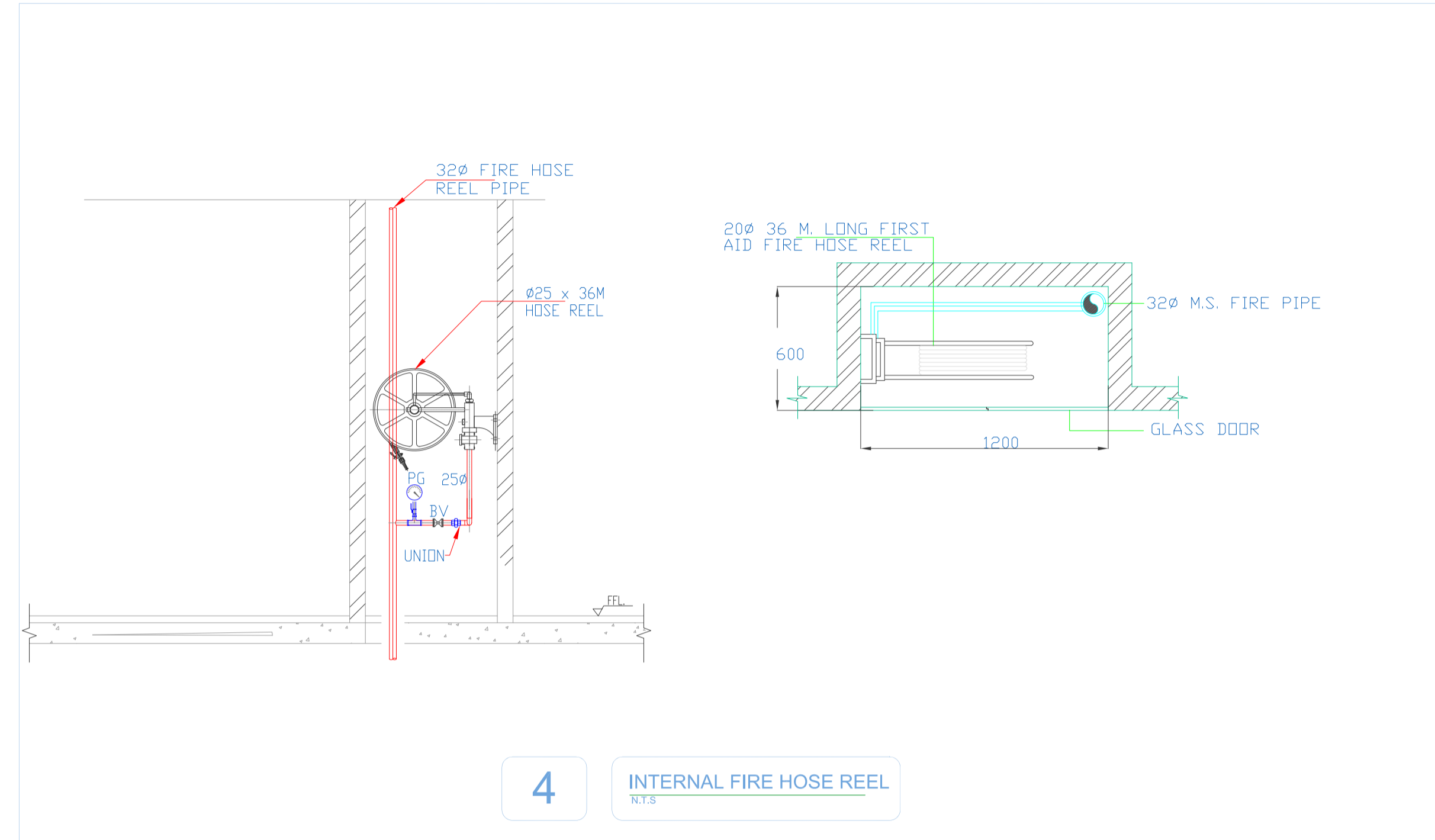
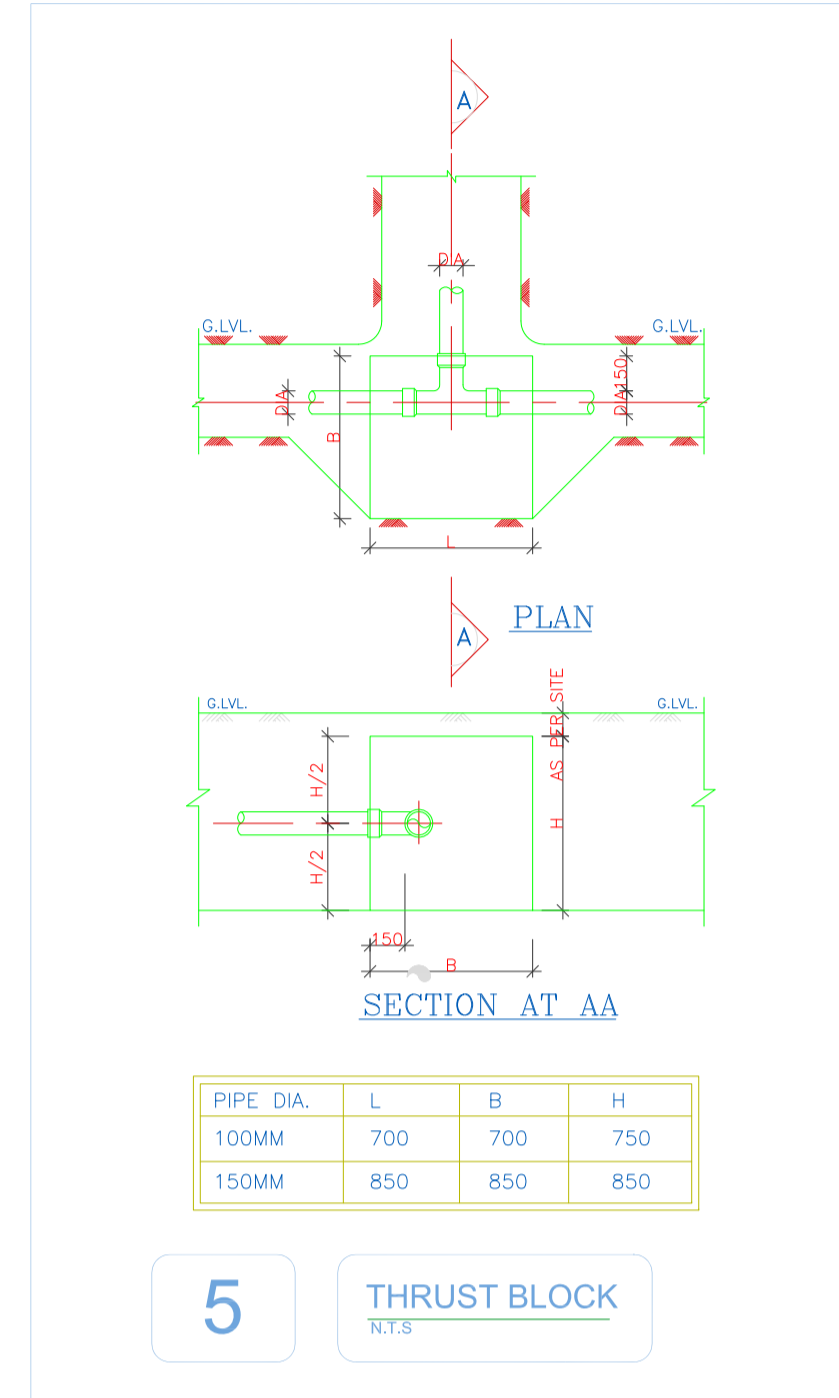
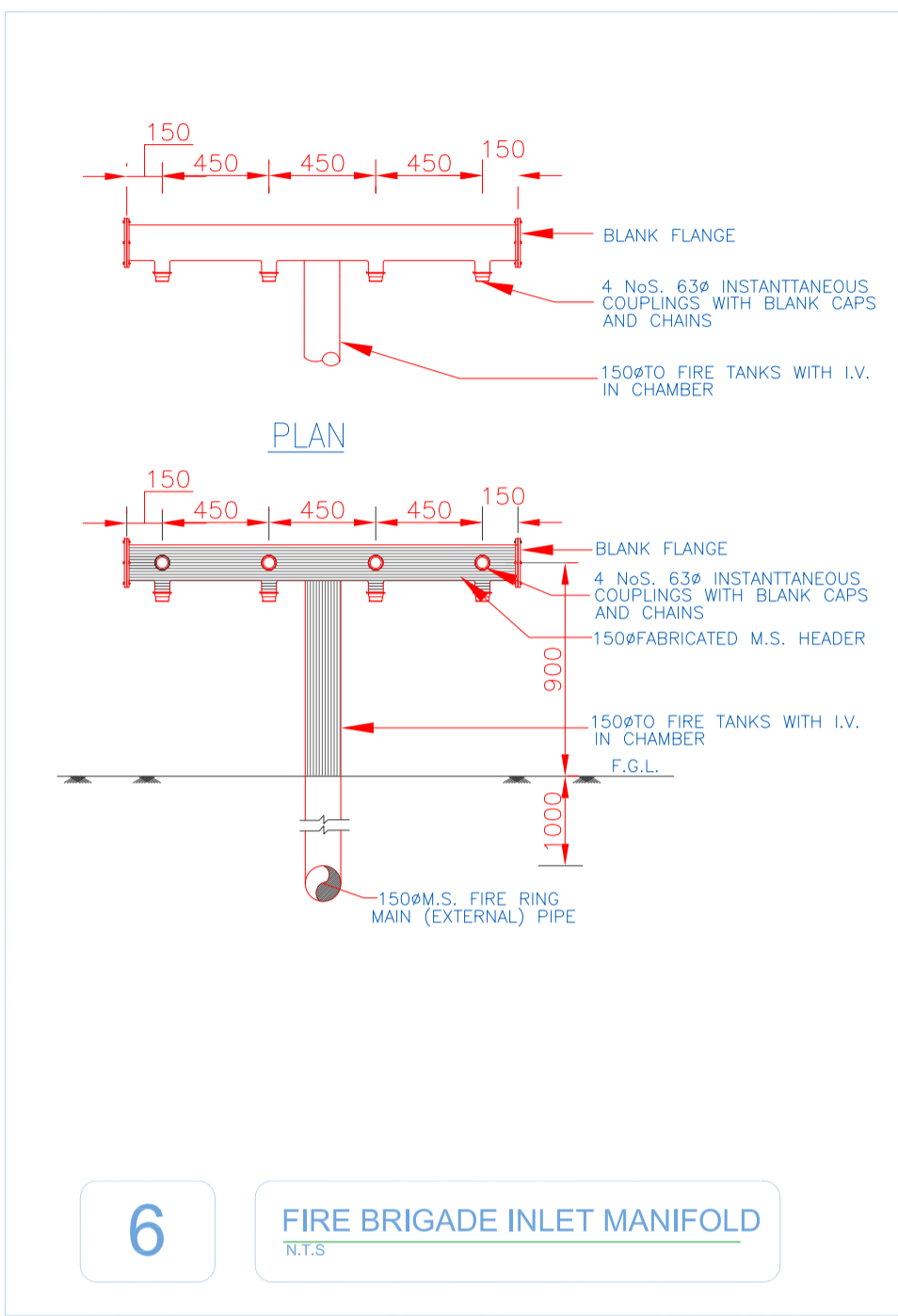


NOTES & INFORMATION

1. ALL DIMENSIONS ARE INDICATED IN MILLIMETERS UNLESS OTHERWISE SPECIFIED.
2. DIMENSIONS TO BE READ AND NOT MEASURED.
3. ANY DISCREPANCY FOUND SHALL BE BROUGHT TO THE NOTICE OF THE ARCHITECTS / ENGINEERS.
4. ALL DRAWINGS TO BE READ IN CONJUNCTION WITH RELEVANT STRUCTURAL, ARCHITECTURAL AND SERVICES DRAWINGS.



1 DETAILS - FIRE FIGHTING

No.	Date	Remarks
Revisions		
Distribution of Prints		
Date	Prints Issued to	Date
Key Plan		
Consultants		
<ul style="list-style-type: none"> ○ Structural Consultants VR SHAH Consulting Engineers ○ Services Consultants dbHMS 2nd Floor, D-62, Sector -2, Noida - 201301 www.dbhms.in ○ Landscape Consultants Earthscape Consultancy Pvt Ltd ○ Road and Pathways Consultants Arhmm Infra Consultants LLP 		
Project		
Nalanda University, Rajgir, Bihar		
Title		
DETAILS - FIRE FIGHTING FOR TENDER FOR TENDER		
Dealt : JK	Drawing No.	
Checked : AT	NUC(1)-FAH-T2-FF6.1	
Scale : NTS		
Date : 08-05-2015	Approved By : VM	
VASTU SHILPA CONSULTANTS Architects Planners Urban Designers		
Sangath, Thaltej Road, Ahmedabad - 380054 Phone: 079 - 27454537 Fax: 079 - 27452006 www.sangath.org e-mail: vsc@sangath.org		