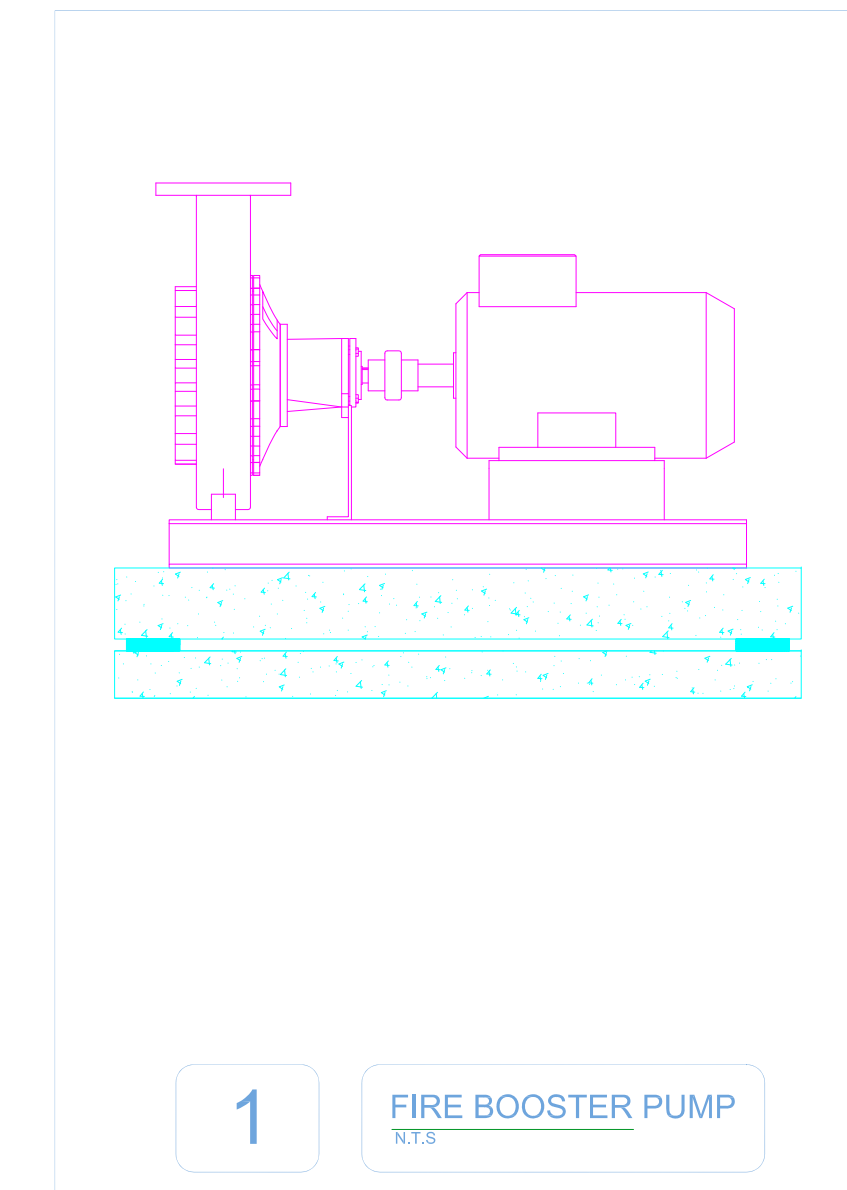
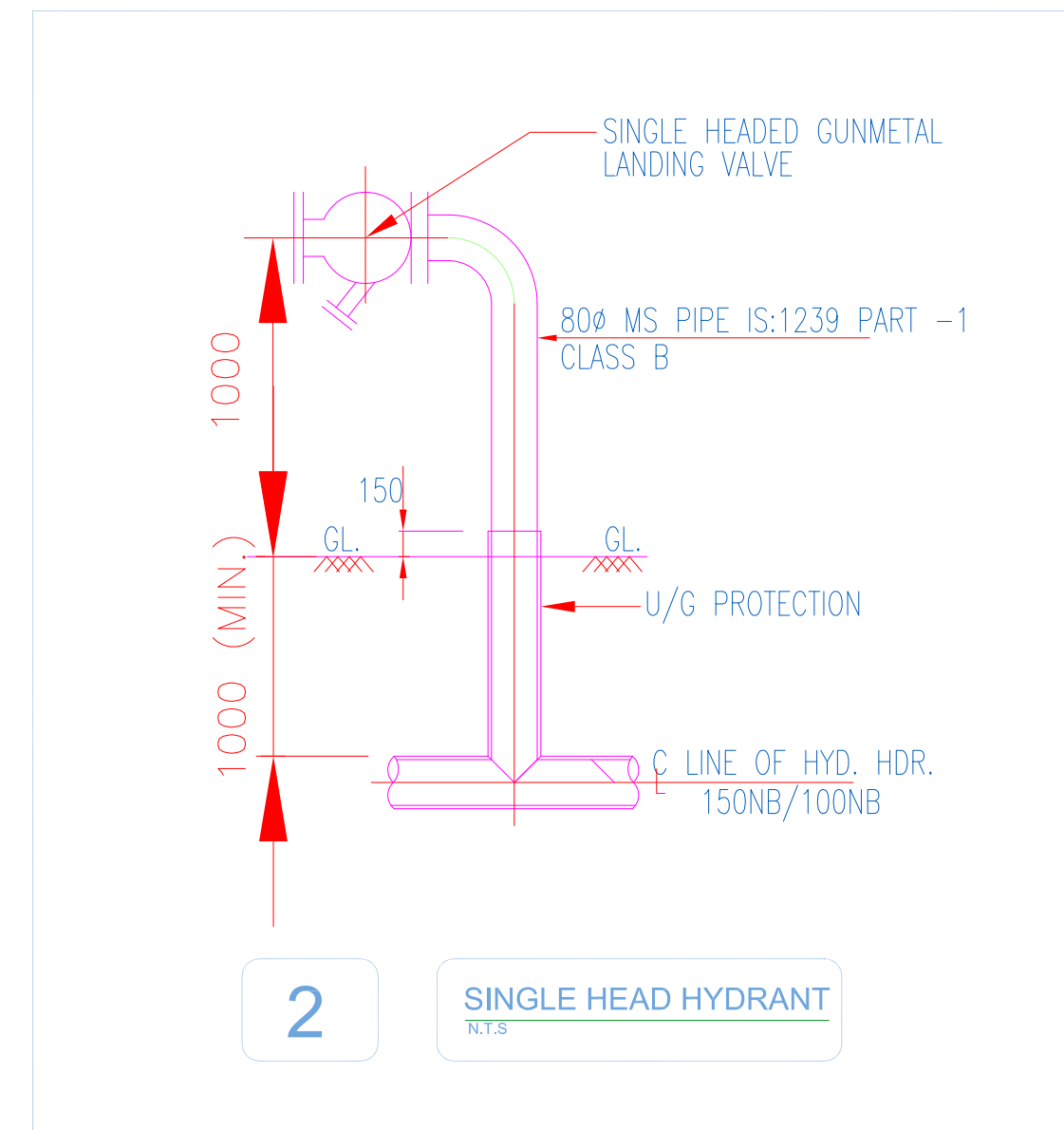
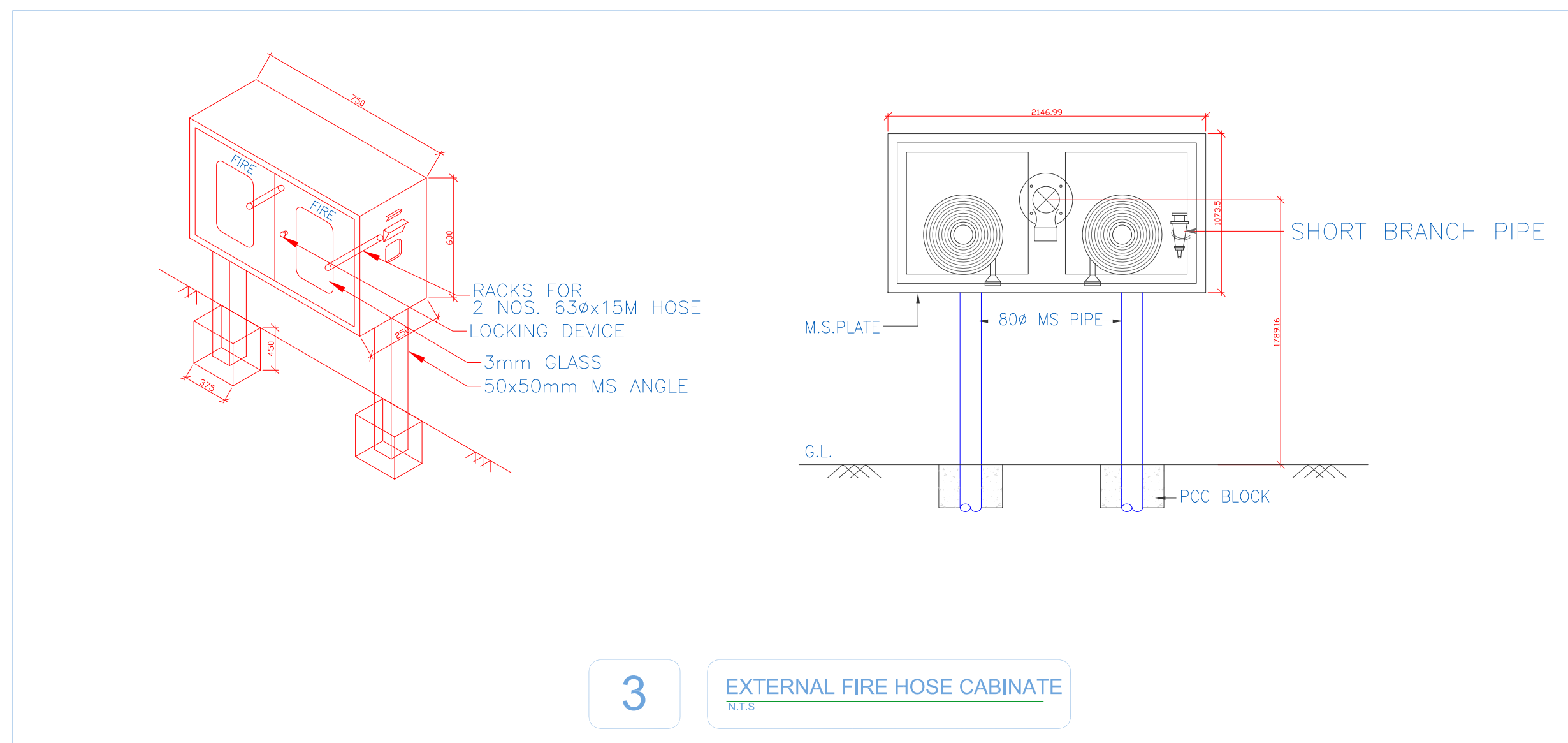
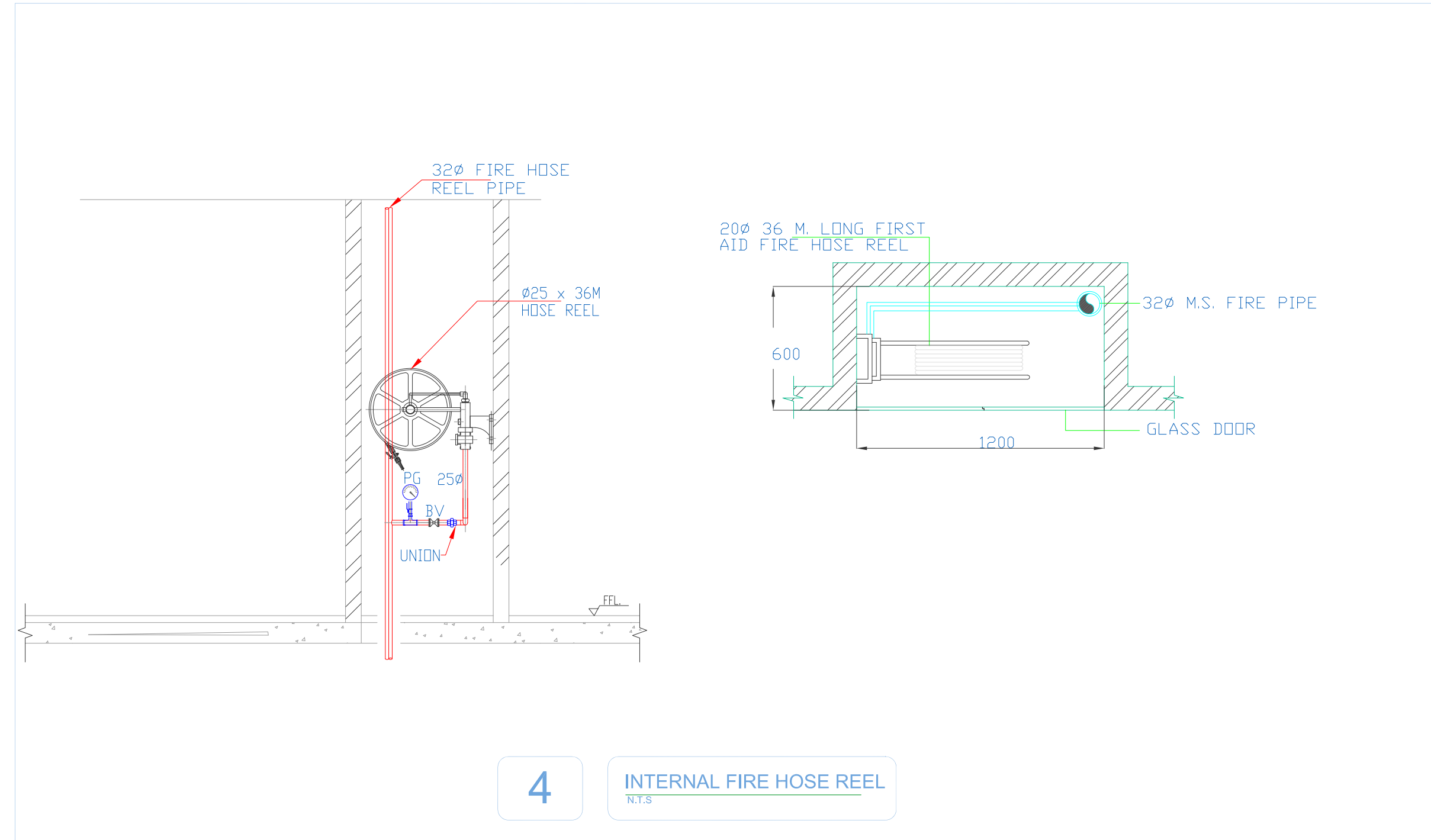
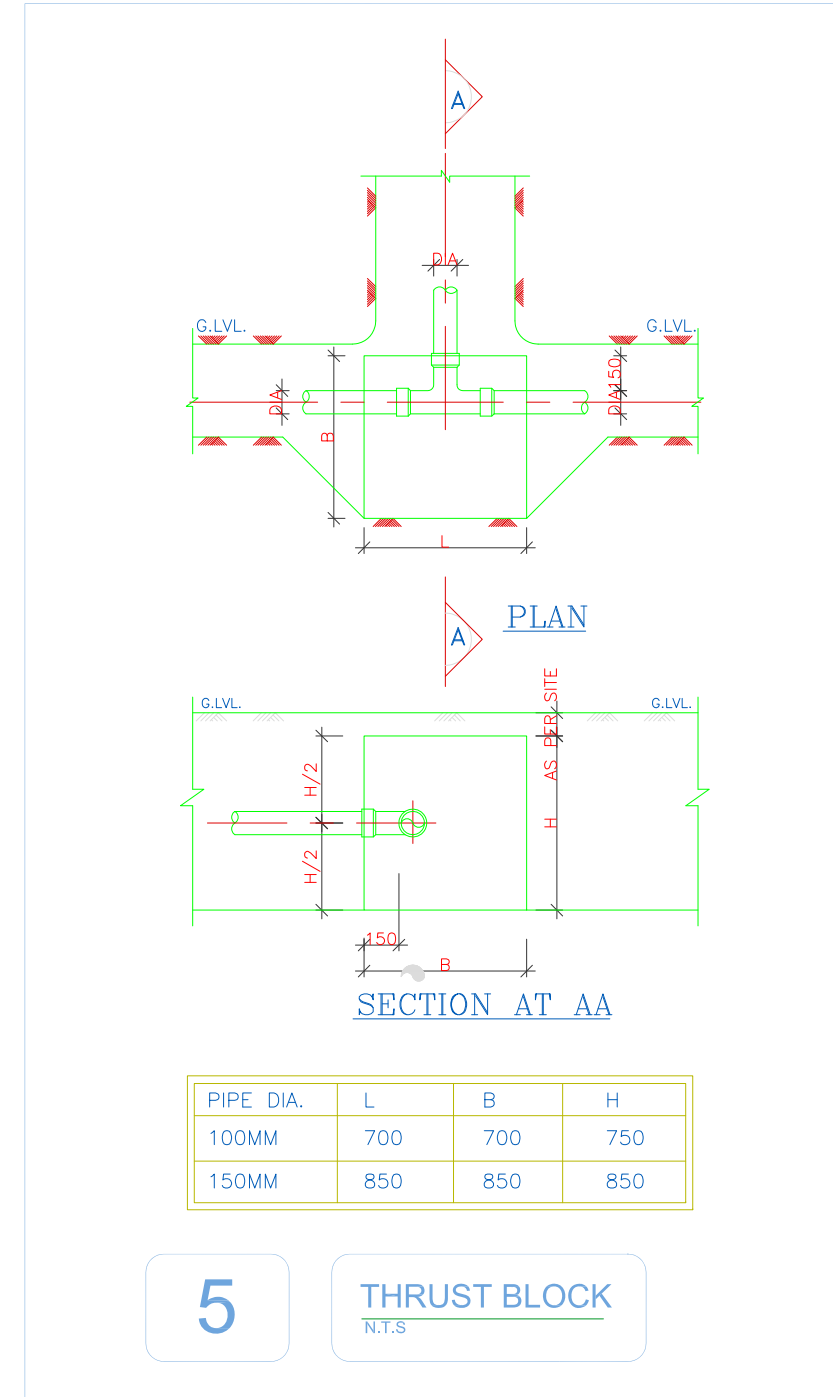
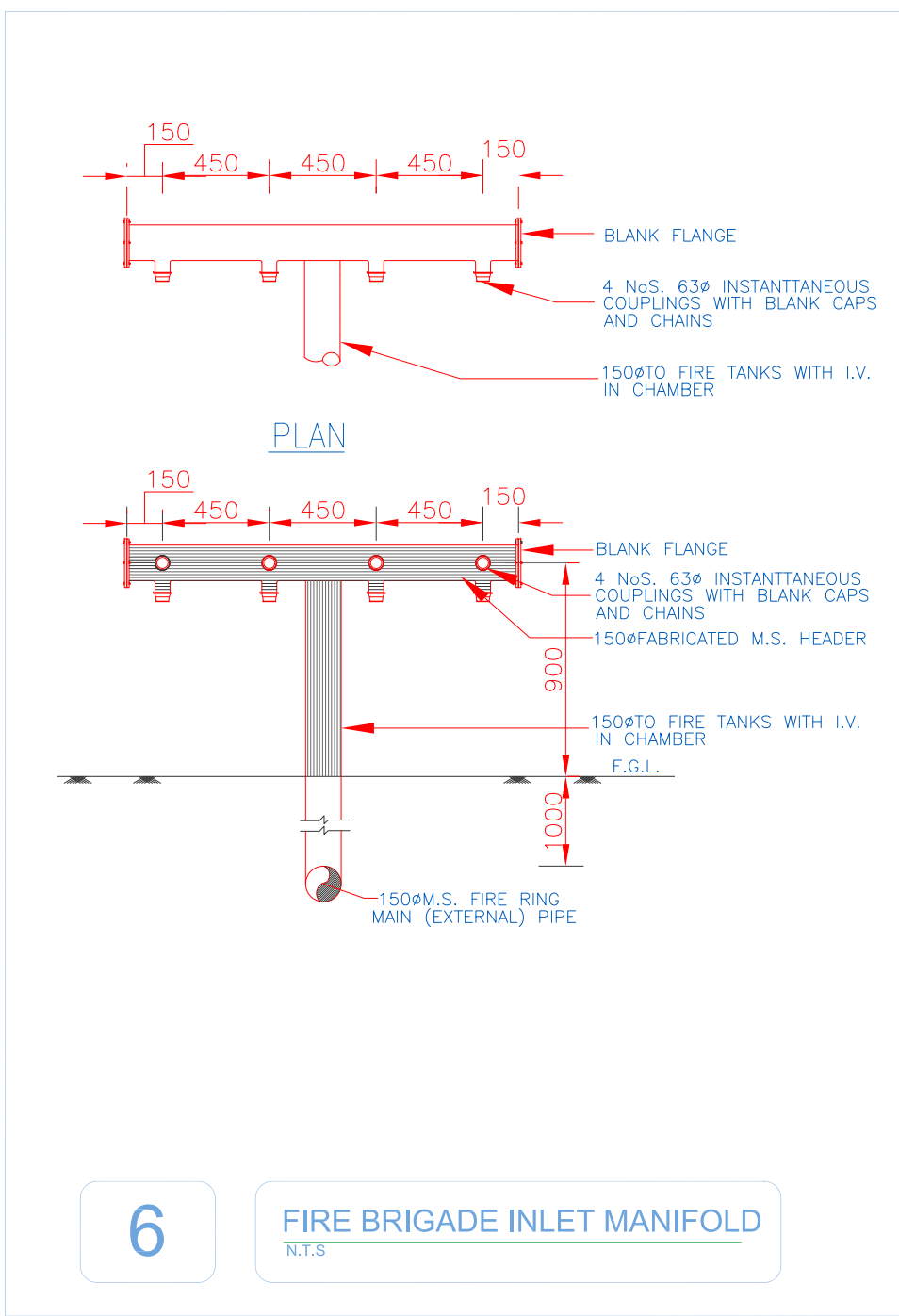


NOTES & INFORMATION

1. ALL DIMENSIONS ARE INDICATED IN MILLIMETERS UNLESS OTHERWISE SPECIFIED.
2. DIMENSIONS TO BE READ AND NOT MEASURED.
3. ANY DISCREPANCY FOUND SHALL BE BROUGHT TO THE NOTICE OF THE ARCHITECTS / ENGINEERS.
4. ALL DRAWINGS TO BE READ IN CONJUNCTION WITH RELEVANT STRUCTURAL, ARCHITECTURAL AND SERVICES DRAWINGS.



1 DETAILS - FIRE FIGHTING

No.	Date.	Remarks.
Revisions		
Distribution of Prints		
Date	Prints	Issued to
Key Plan		
		N ↑

- Consultants**
- **Structural Consultants**
VR SHAH Consulting Engineers
 - **Services Consultants**
dbHMS
2nd Floor, D-62, Sector -2,
Noida - 201301
www.dbhms.in
 - **Landscape Consultants**
Earthscape Consultancy Pvt Ltd
 - **Road and Pathways Consultants**
Arhmm Infra Consultants LLP

Project
Nalanda University, Rajgir, Bihar

Title
DETAILS - FIRE FIGHTING
FOR TENDER

Dealt : JK	Drawing No.
Checked : AT	NUC(1)-FAH-T3-FF6.1
Scale : NTS	
Date : 08-05-2015	Approved By : VM

VASTU SHILPA CONSULTANTS
Architects | Planners | Urban Designers

'Sangath', Thaltej Road, Ahmedabad - 380054
Phone: 079 - 27454537 Fax: 079 - 27452006
www.sangath.org e-mail: vsc@sangath.org