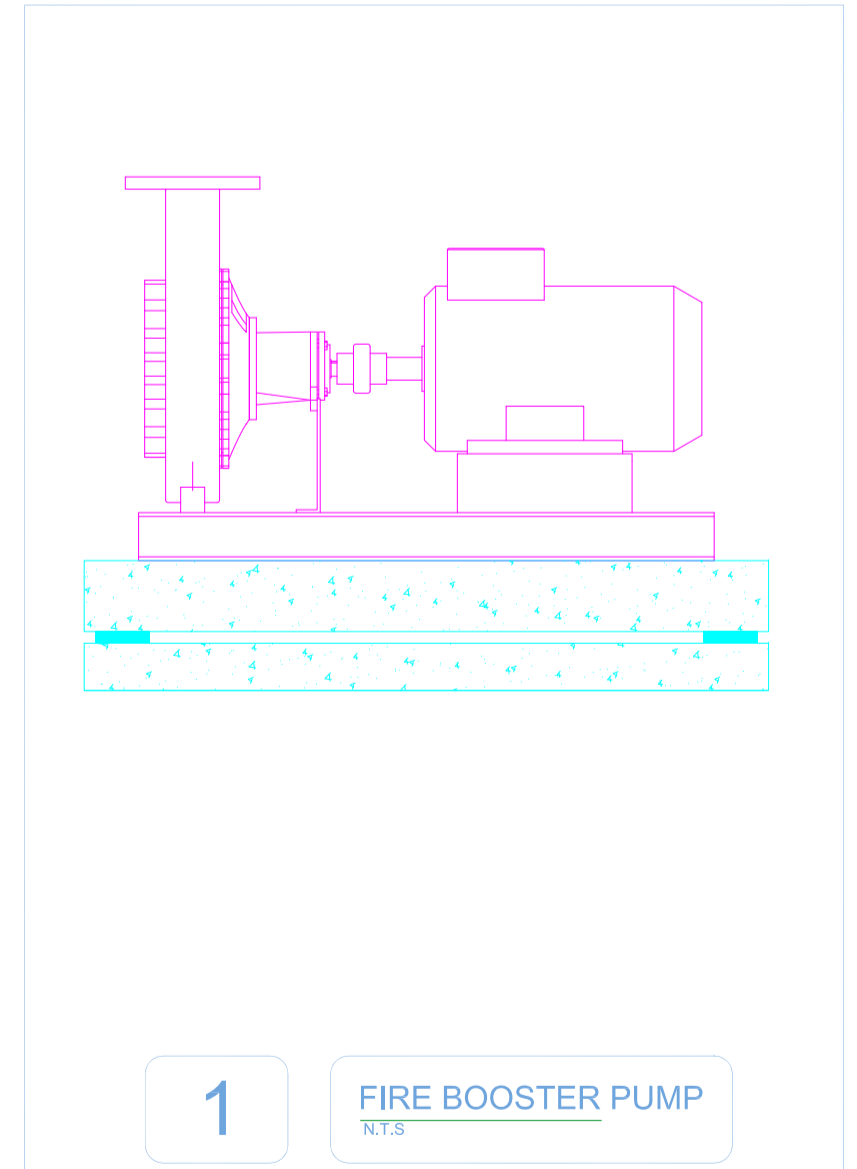
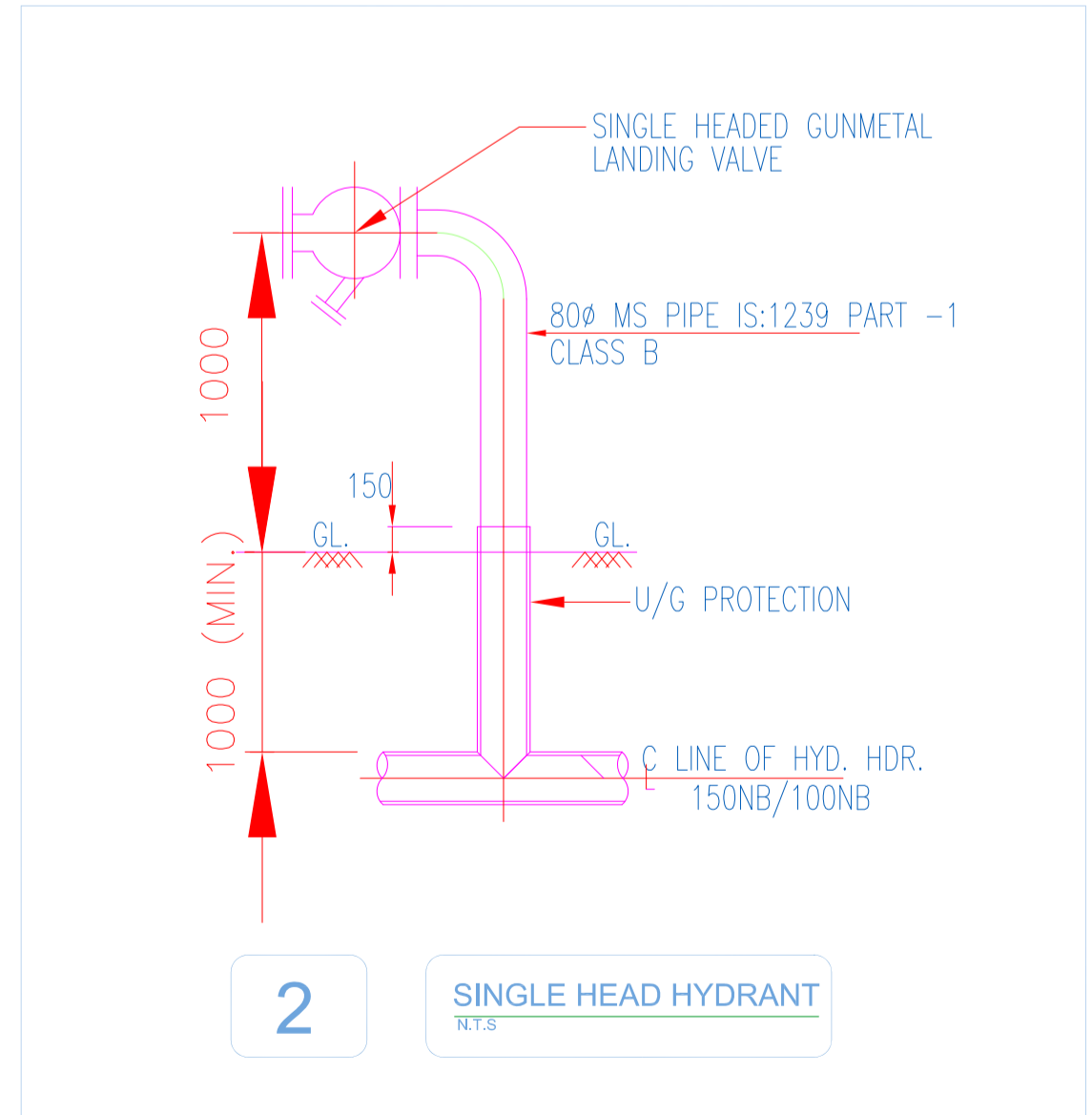
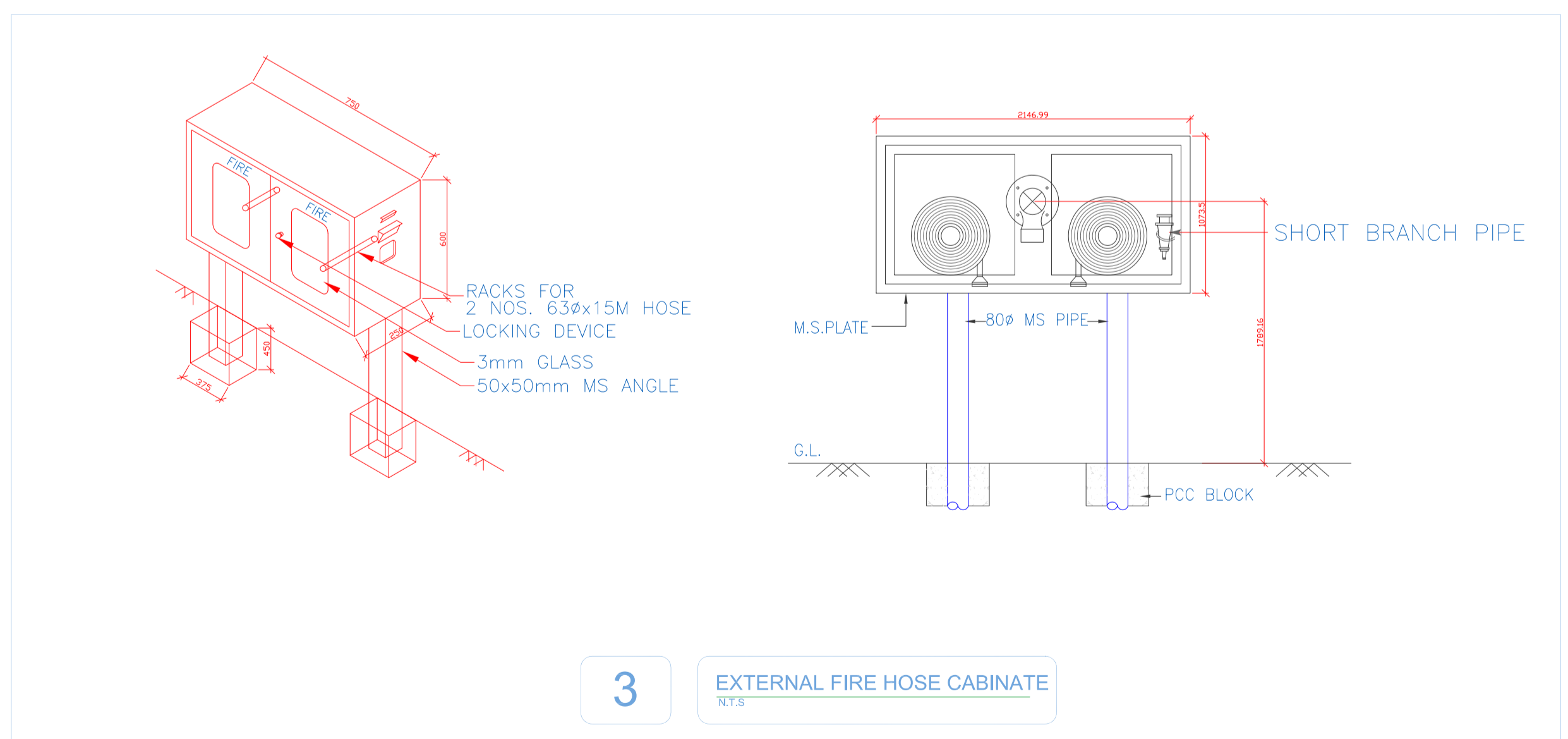
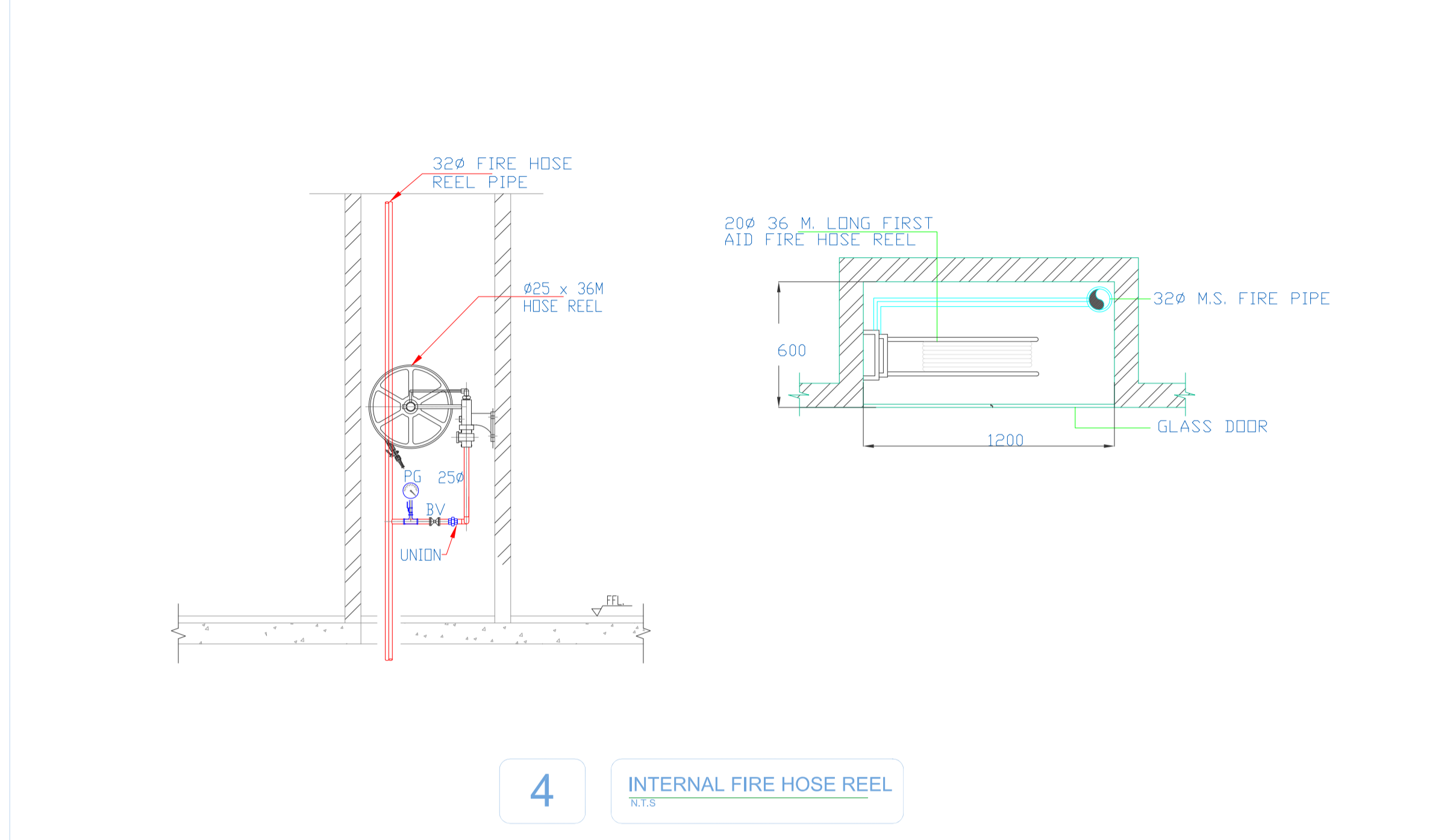
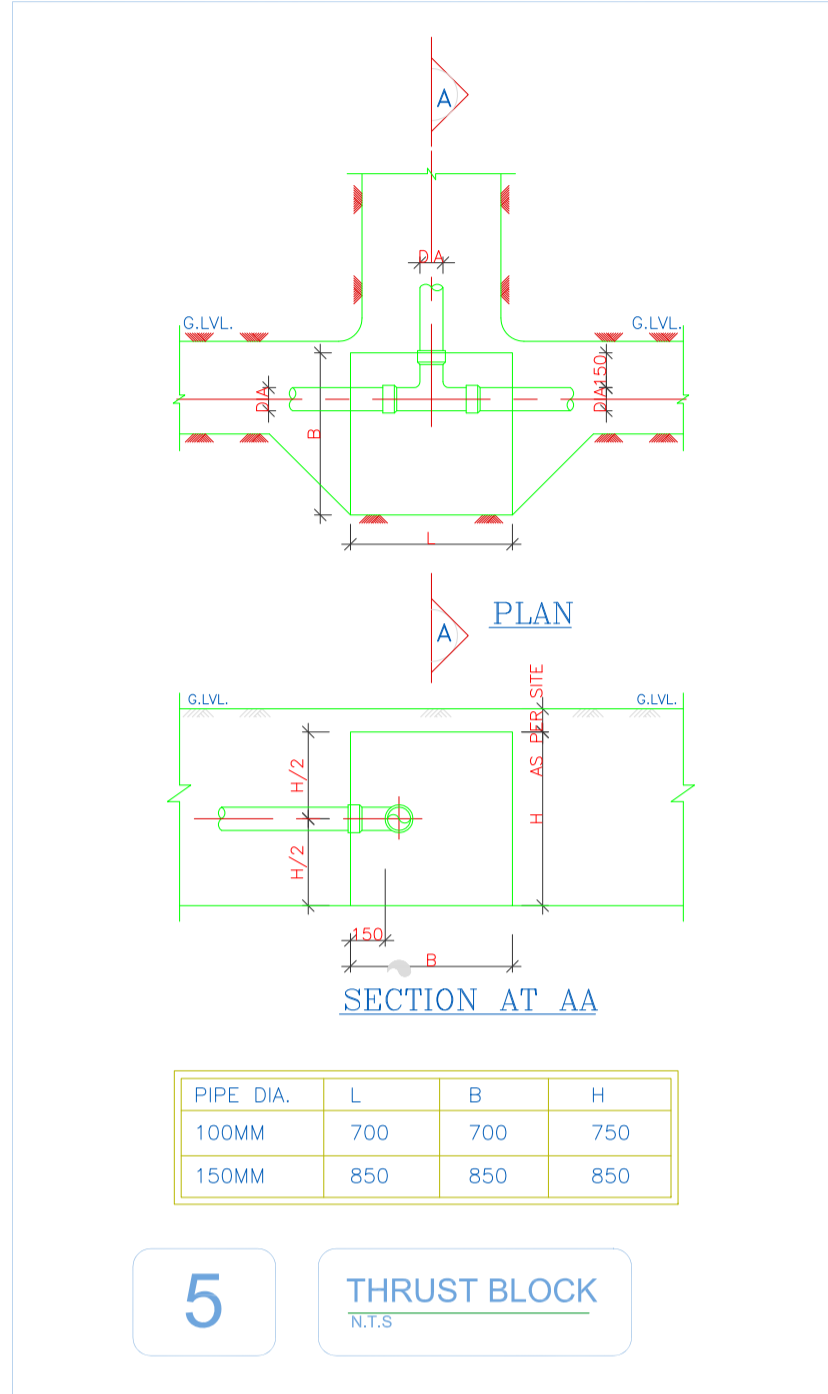
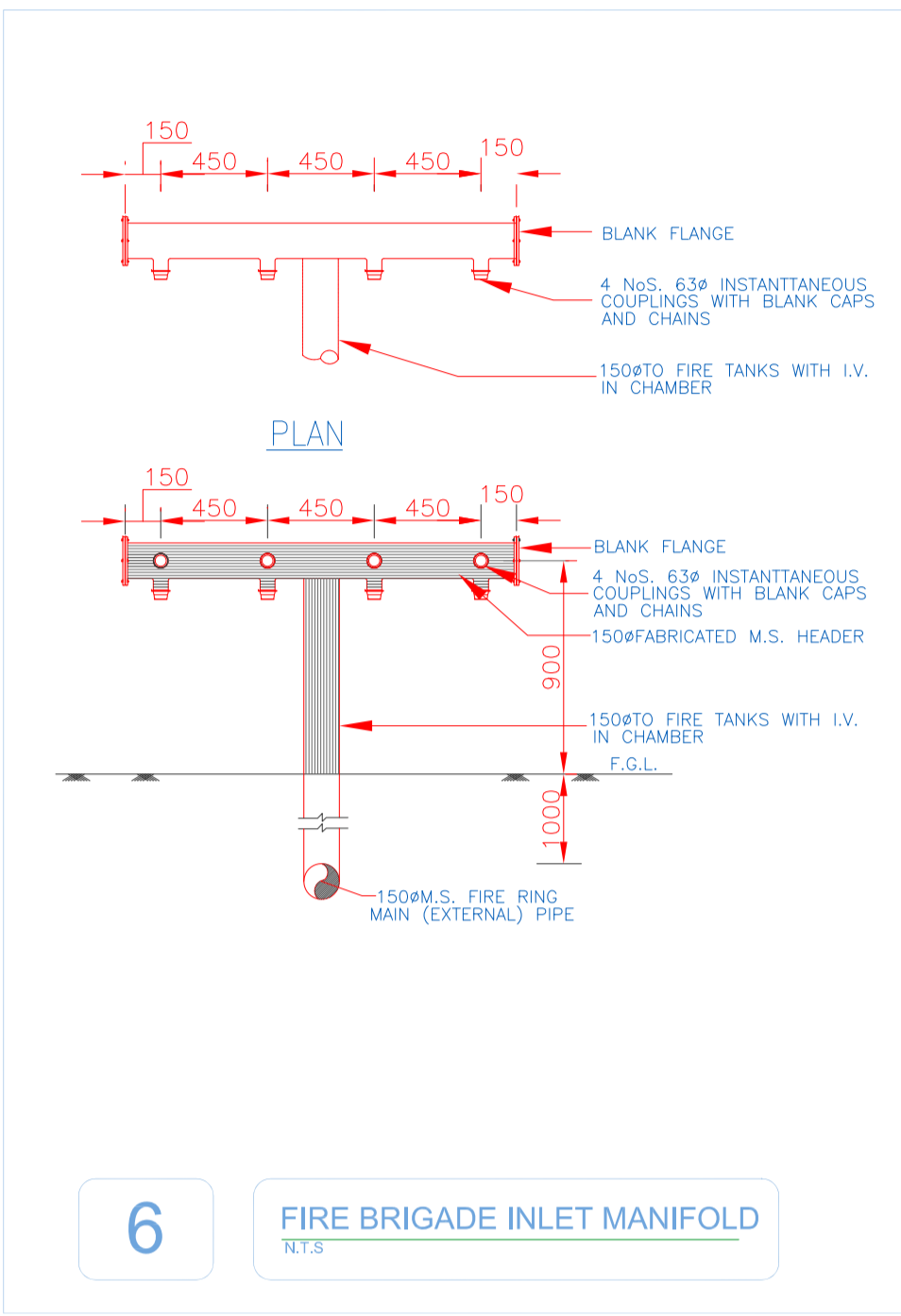


- NOTES**
1. ALL DIMENSIONS SHALL BE CHECKED AND CO-RELATED WITH THE STRUCTURAL DRAWINGS AND ANY AMBIGUITY SHALL BE IMMEDIATELY BROUGHT TO THE NOTICE OF THE ARCHITECT BEFORE COMMENCEMENT OF THE WORK.
  2. ALL DIMENSIONS ARE IN CENTIMETERS UNLESS OTHERWISE SPECIFIED.
  3. ALL LEVELS ARE FINISHED LEVELS.
  4. ALL MARGINS, CLEARANCES ETC. REQUIRED AS PER BYE-LAWS SHOULD BE CHECKED AND PROVIDED BY THE CONTRACTOR AND ANY DISCREPANCIES FOUND SHOULD BE IMMEDIATELY BROUGHT TO THE NOTICE OF ARCHITECT BEFORE COMMENCEMENT OF WORK.
  5. FOR DETAILS OF ALL CUTOUTS IN SLABS AND BEAMS REFER SERVICES CONSULTANTS DRAWINGS.
  6. FOR STAIRCASE DETAILS REFER DRAWING NO. 5.1
  7. FOR TOILET DETAILS REFER DRAWING NO. 6.1
  8. FOR DOOR DETAILS REFER DRWG NO. 8.1
  9. FOR WINDOW DETAILS REFER DRWG NO. 9.1
  10. FOR KITCHEN - PANTRY DETAILS REFER DRWG NO. 10.1
  11. FOR MISCELLANEOUS DETAILS REFER DRAWING NO. 29.1
  12. FOR VERANDAH DETAILS REFER DRAWING NO. 31.1



# 1 TYPICAL DETAILS - FIRE FIGHTING

No.	Date.	Remarks.
Revisions		
Date	Prints	Issued to
Date	Prints	Issued to
Distribution of Prints		
Key Plan		
N		

- Consultants**
- Structural Consultants: VR SHAH Consulting Engineers
  - Services Consultants: dbHMS, 2nd Floor, D-62, Sector -2, Noida - 201301, www.dbhms.in
  - Landscape Consultants: Earthscapes Consultancy Pvt Ltd
  - Road and Pathways Consultants: Arhmm Infra Consultants LLP

**Project**  
Nalanda University, Rajgir, Bihar

**Title**  
TYPICAL DETAILS - FIRE FIGHTING FOR TENDER

Dealt : JK	Drawing No.
Checked : AT	NUC(1)-MSH-FF6.1
Scale : N.T.S	Aprd By : VM
Date : 23.05.2015	