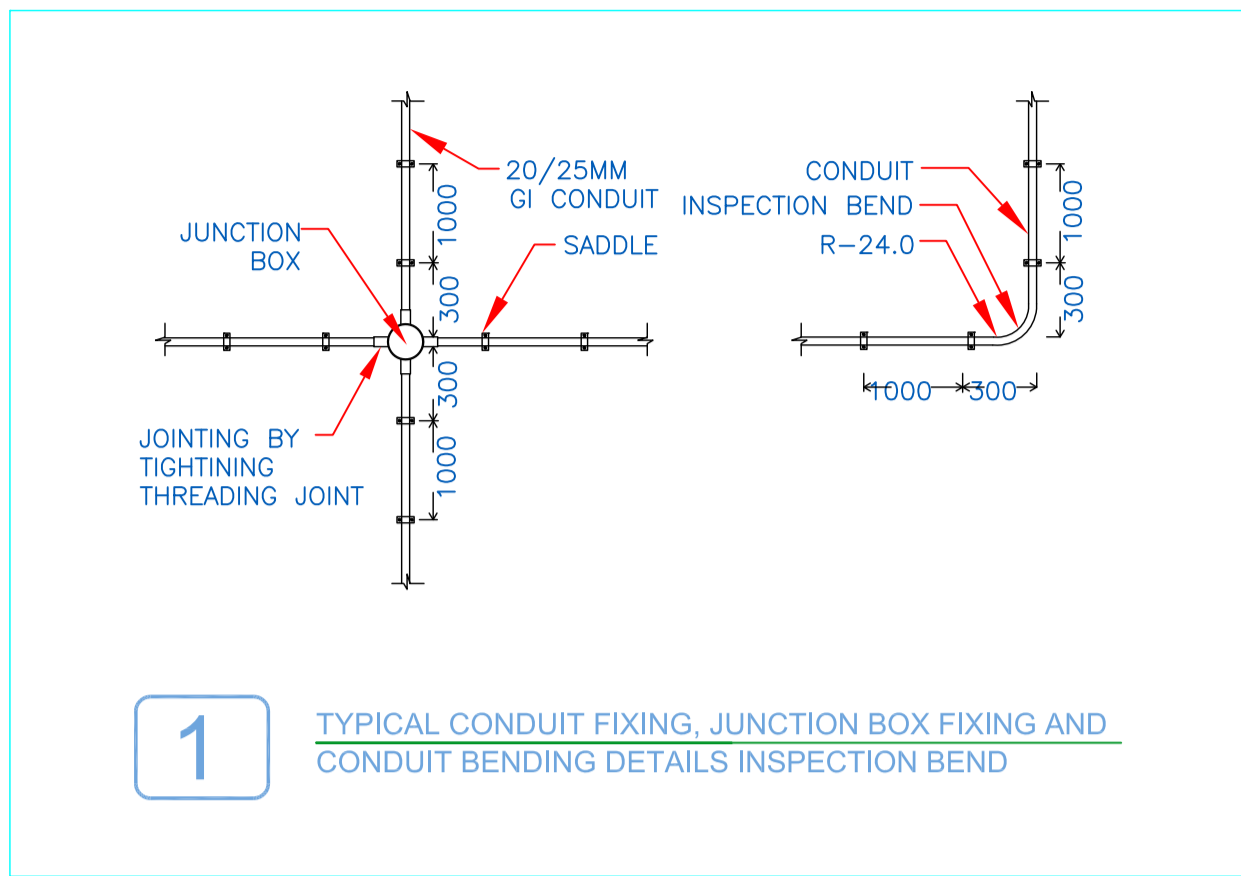
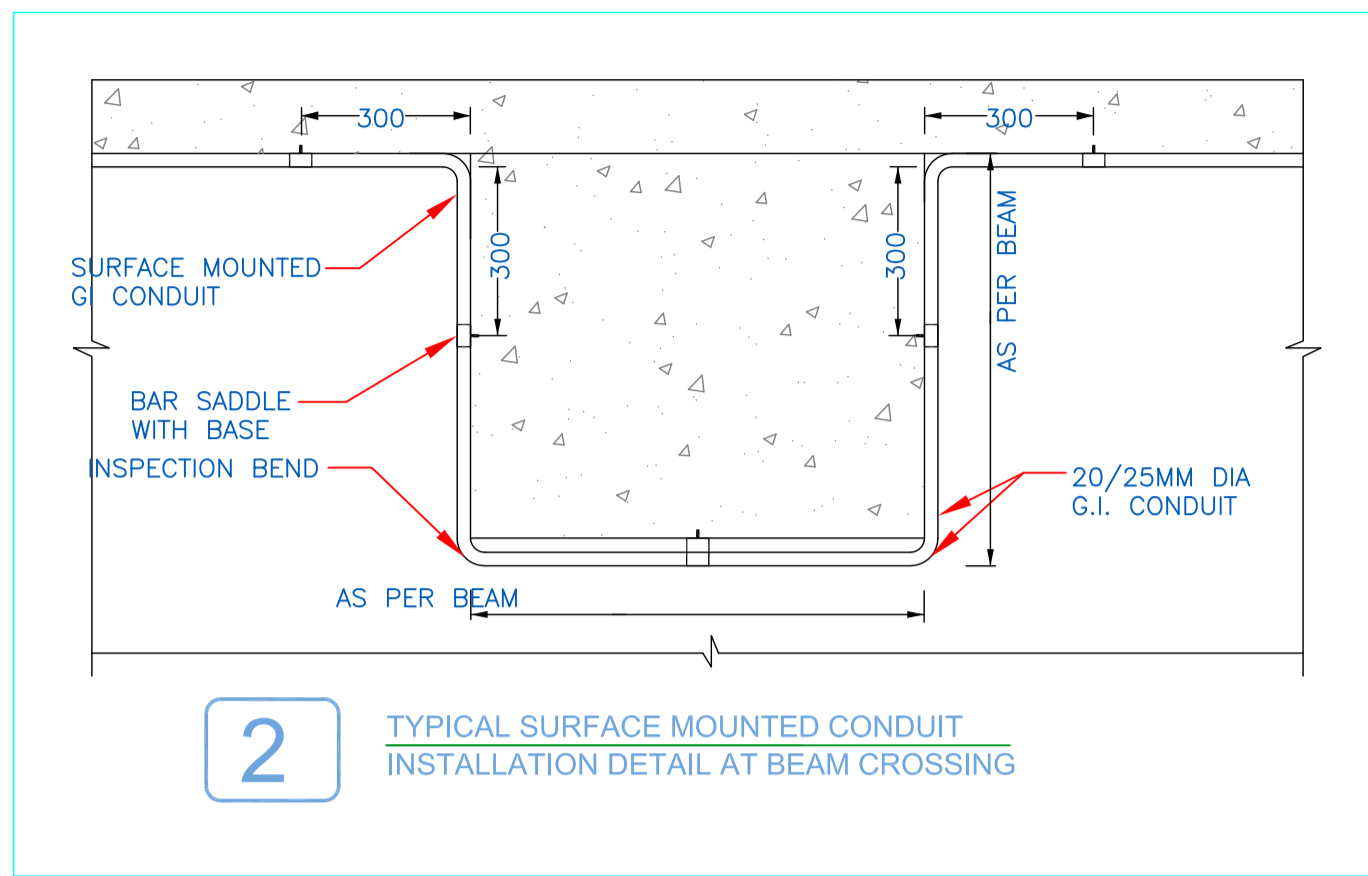


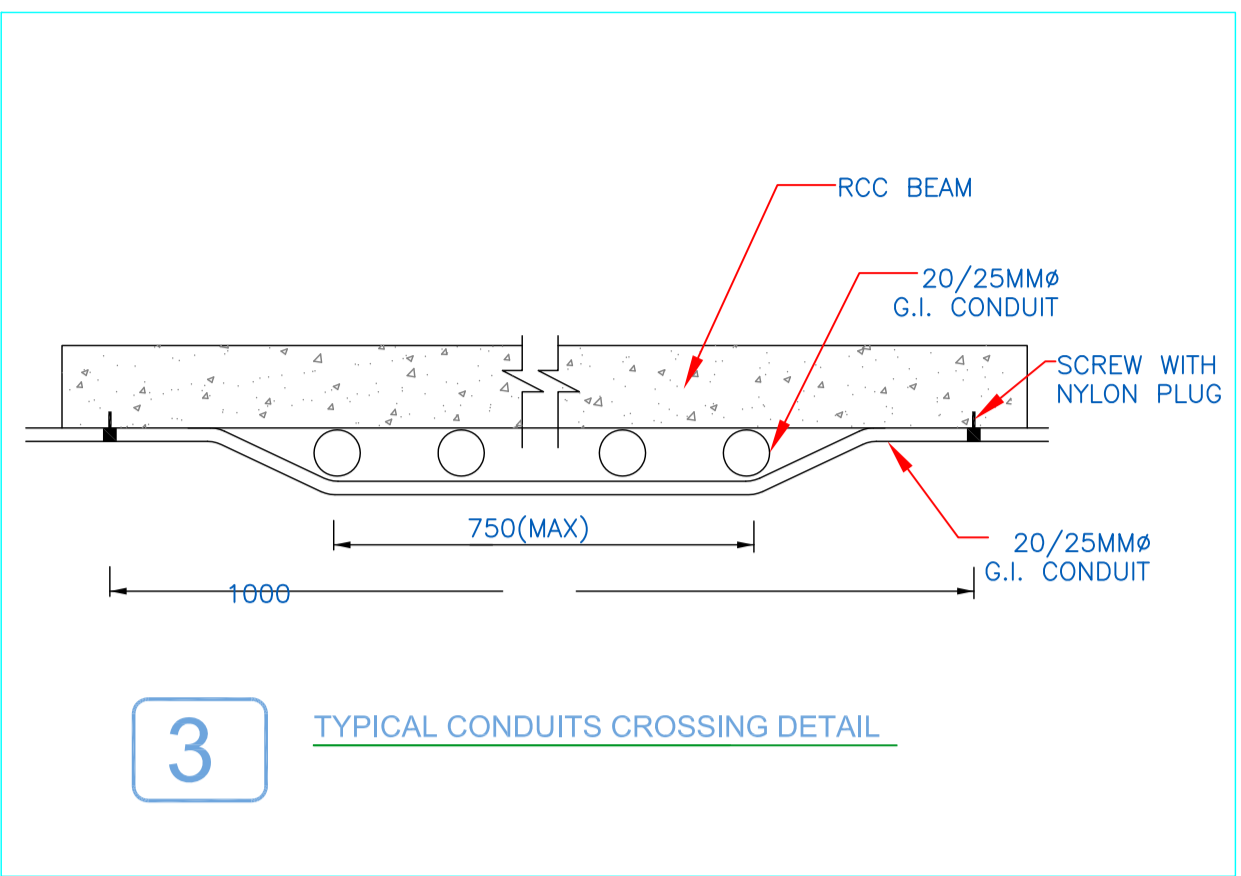
1. ALL DIMENSIONS ARE INDICATED IN MILLIMETERS UNLESS OTHERWISE SPECIFIED.
2. DIMENSIONS TO BE READ AND NOT MEASURED.
3. ANY DISCREPANCY FOUND SHALL BE BROUGHT TO THE NOTICE OF THE ARCHITECTS / ENGINEERS
4. ALL DRAWINGS TO BE READ IN CONJUNCTION WITH RELEVANT STRUCTURAL, ARCHITECTURAL AND SERVICES DRAWINGS.



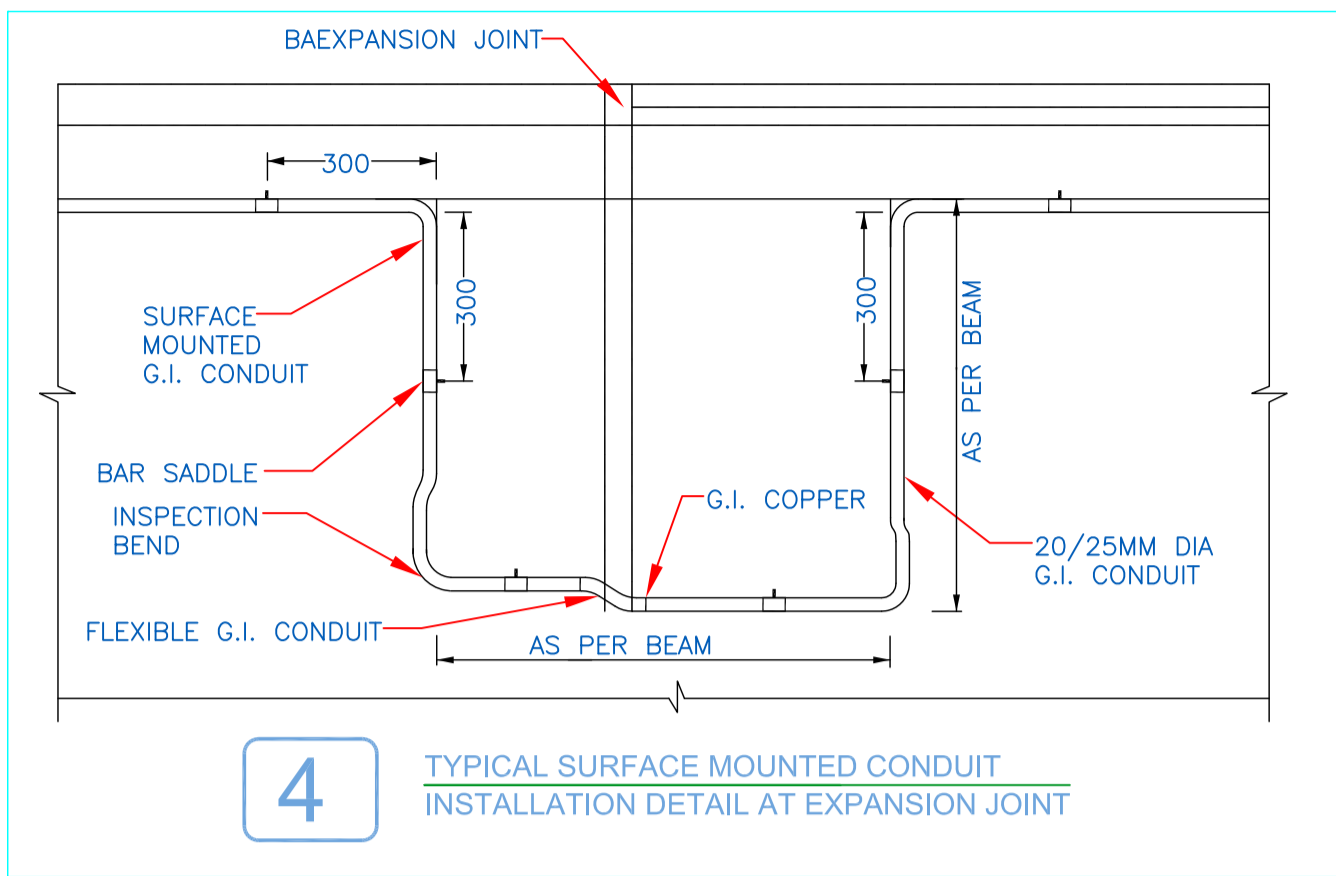
**1** TYPICAL CONDUIT FIXING, JUNCTION BOX FIXING AND CONDUIT BENDING DETAILS INSPECTION BEND



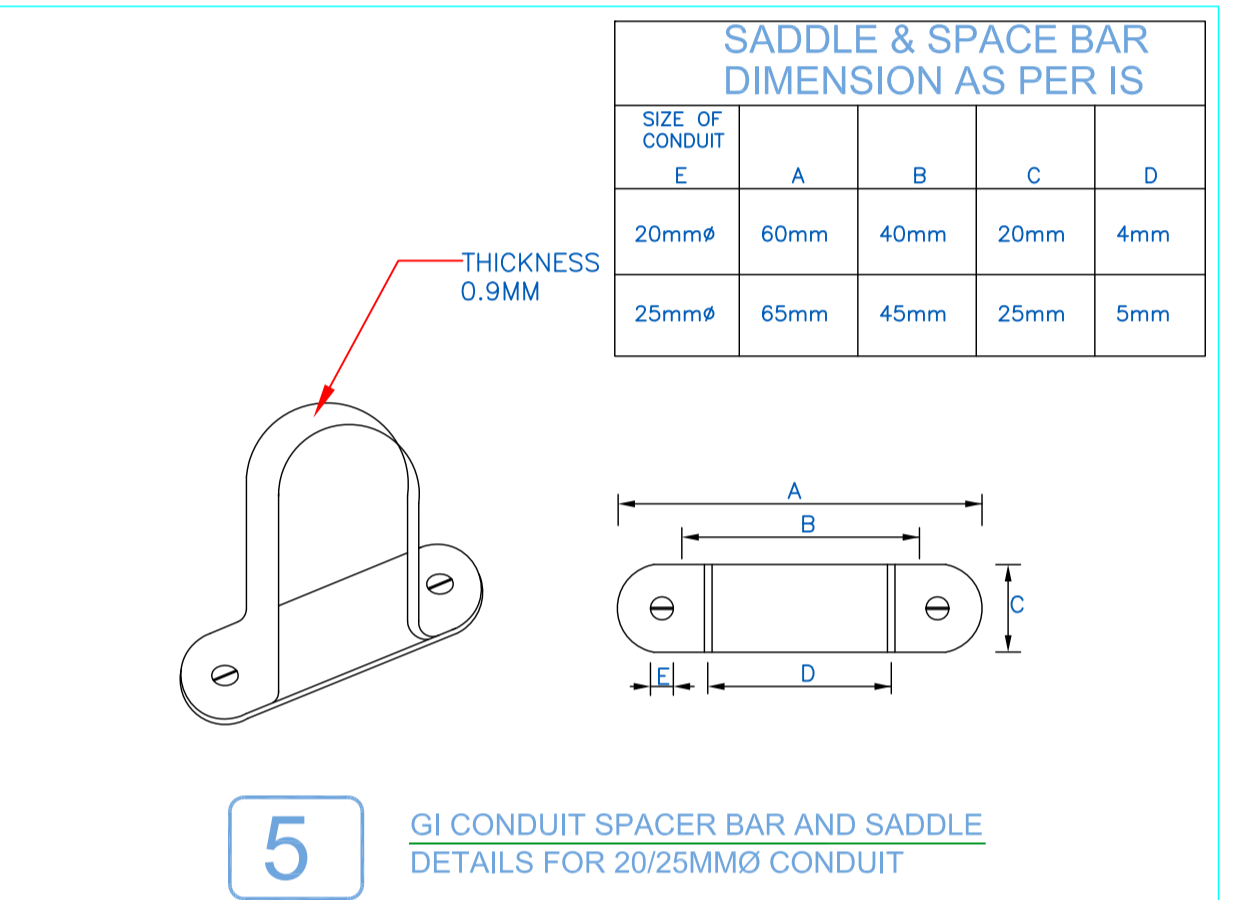
**2** TYPICAL SURFACE MOUNTED CONDUIT INSTALLATION DETAIL AT BEAM CROSSING



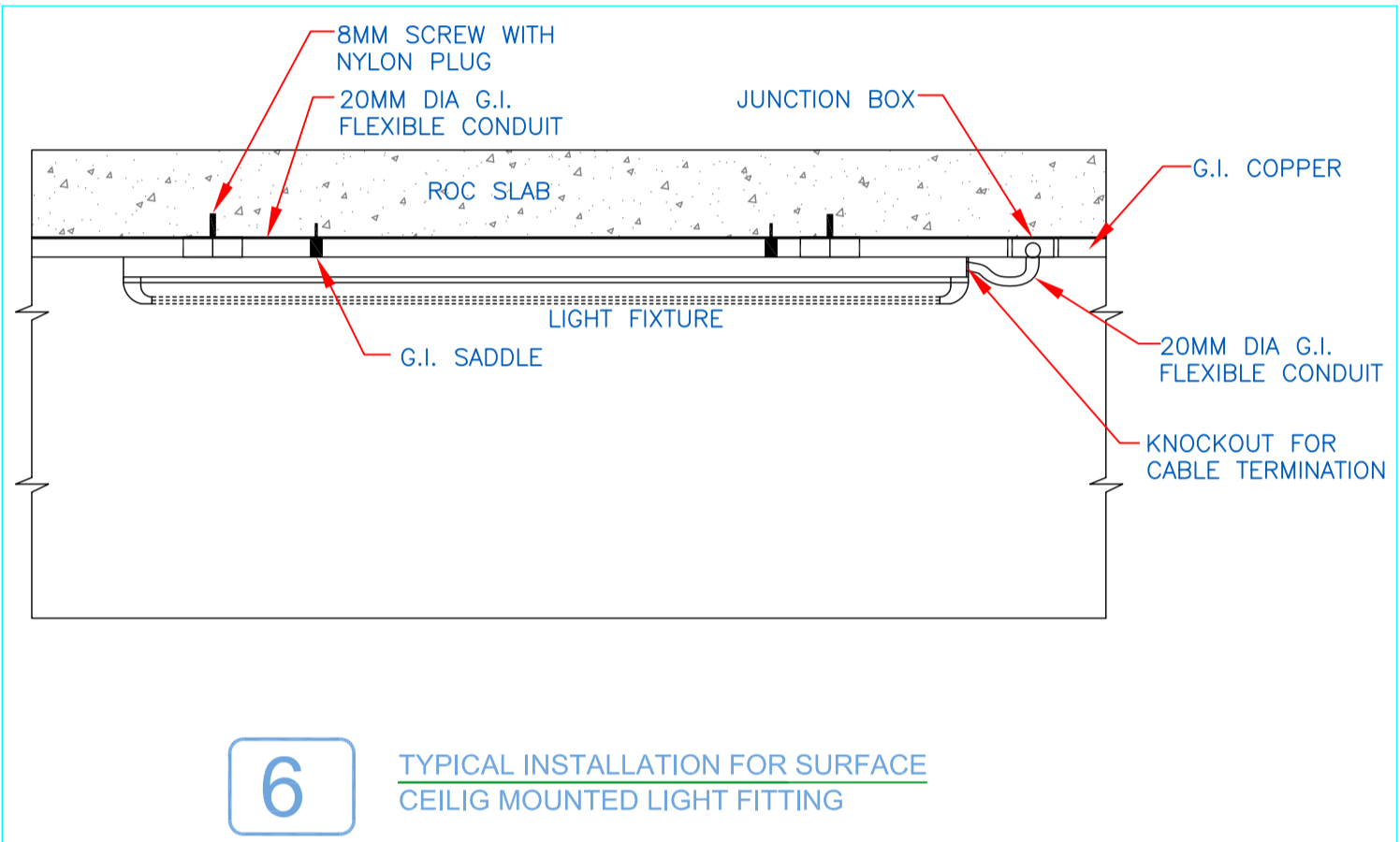
**3** TYPICAL CONDUITS CROSSING DETAIL



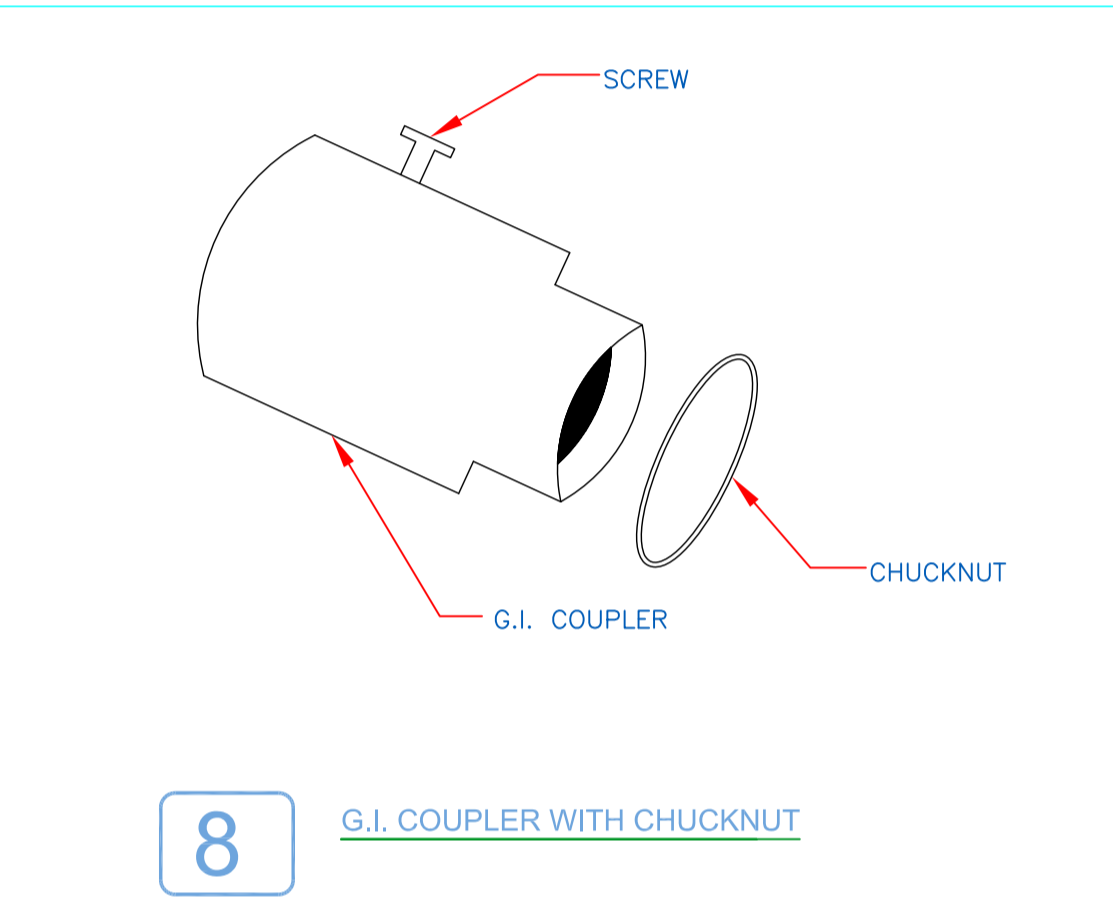
**4** TYPICAL SURFACE MOUNTED CONDUIT INSTALLATION DETAIL AT EXPANSION JOINT



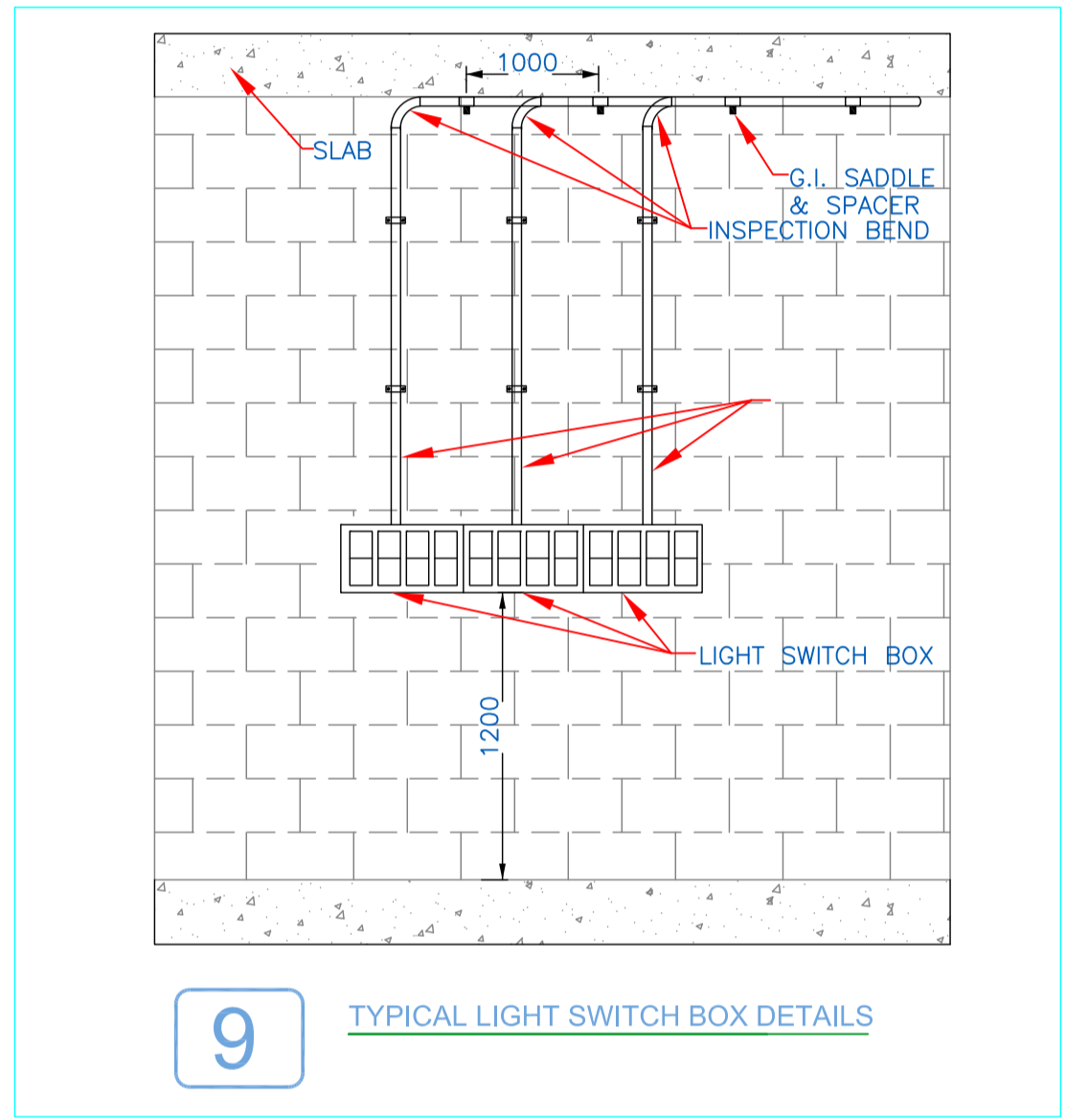
**5** G.I. CONDUIT SPACER BAR AND SADDLE DETAILS FOR 20/25MM DIA CONDUIT



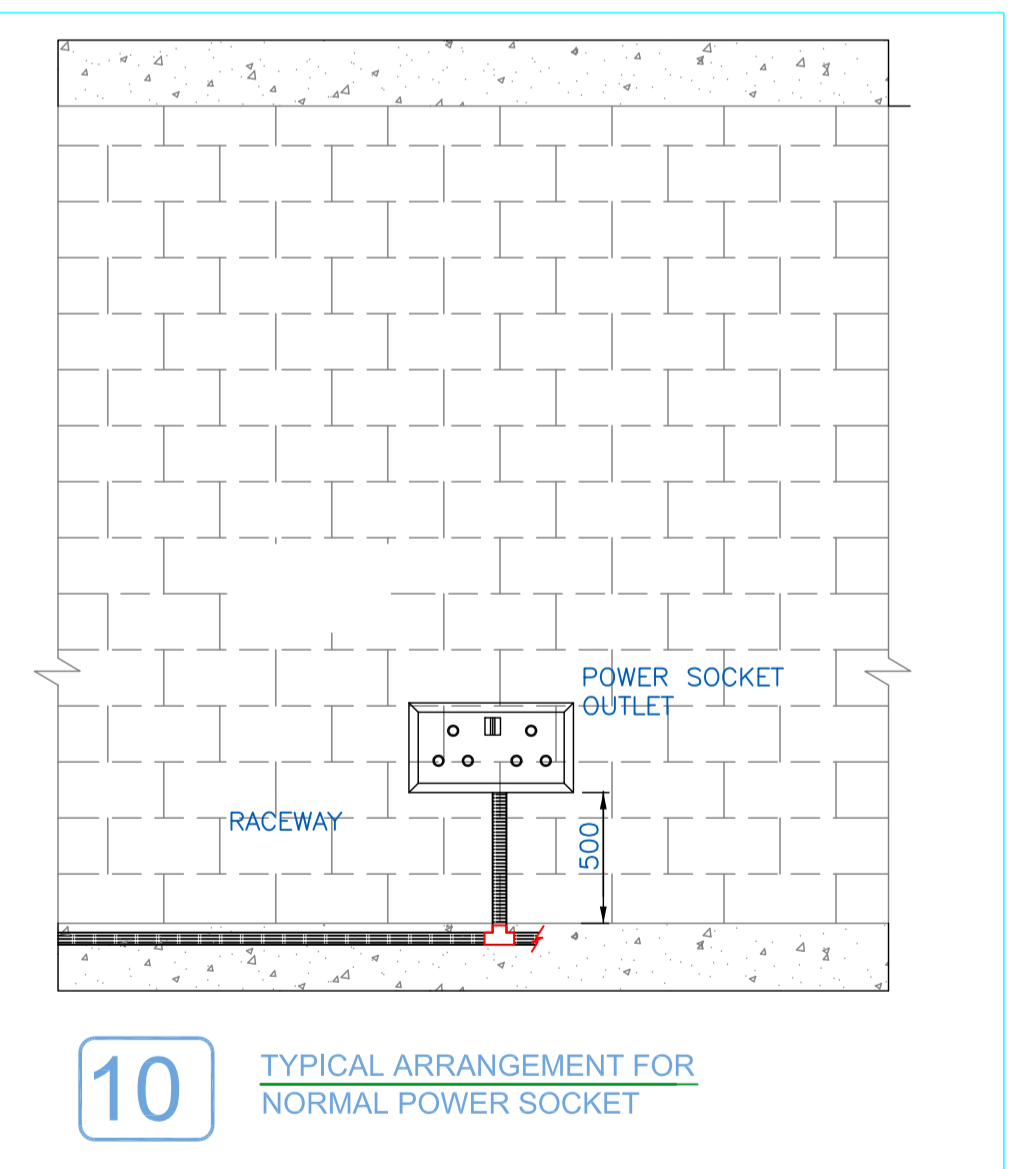
**6** TYPICAL INSTALLATION FOR SURFACE CEILING MOUNTED LIGHT FITTING



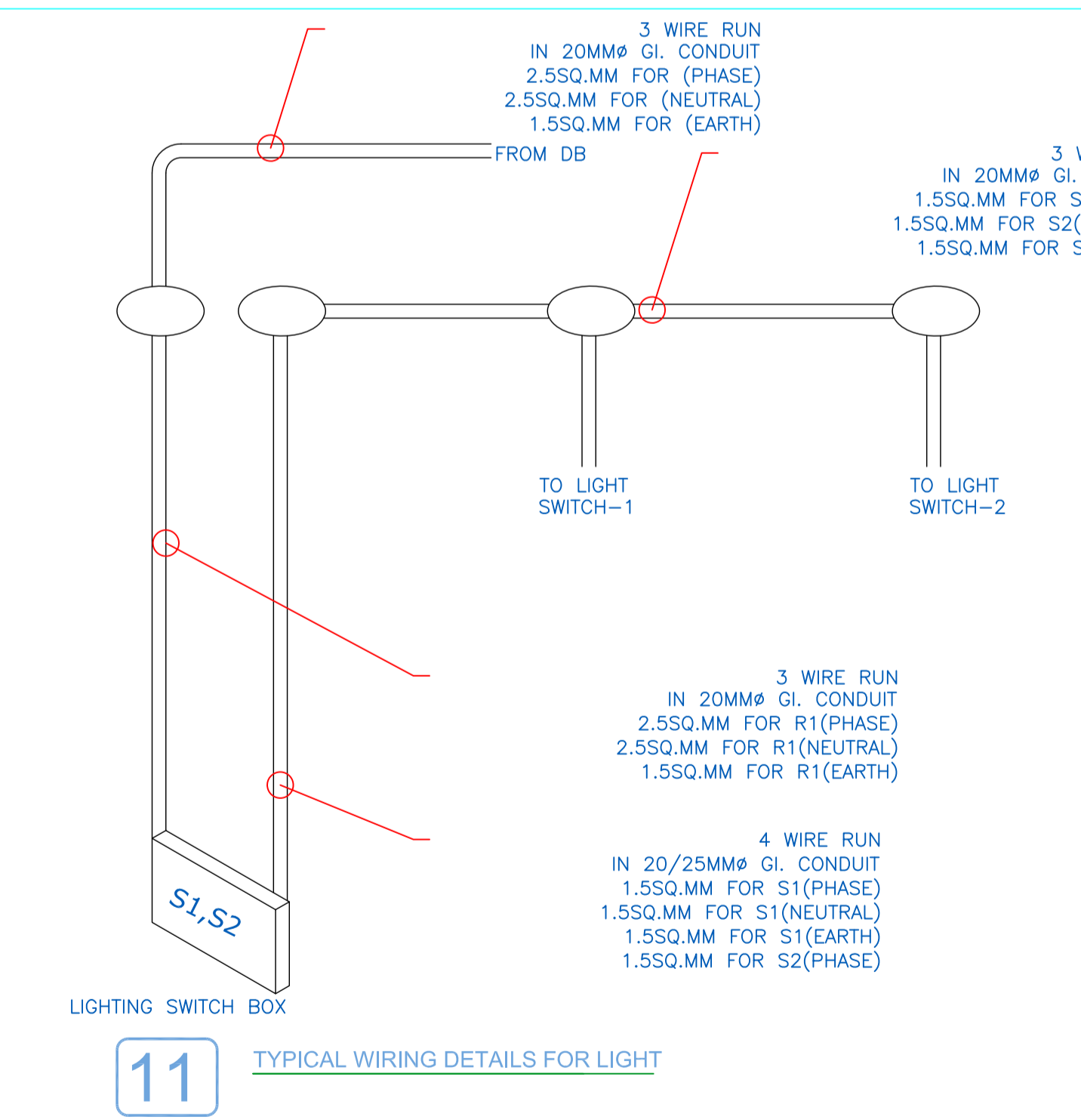
**8** G.I. COUPLER WITH CHUCKNUT



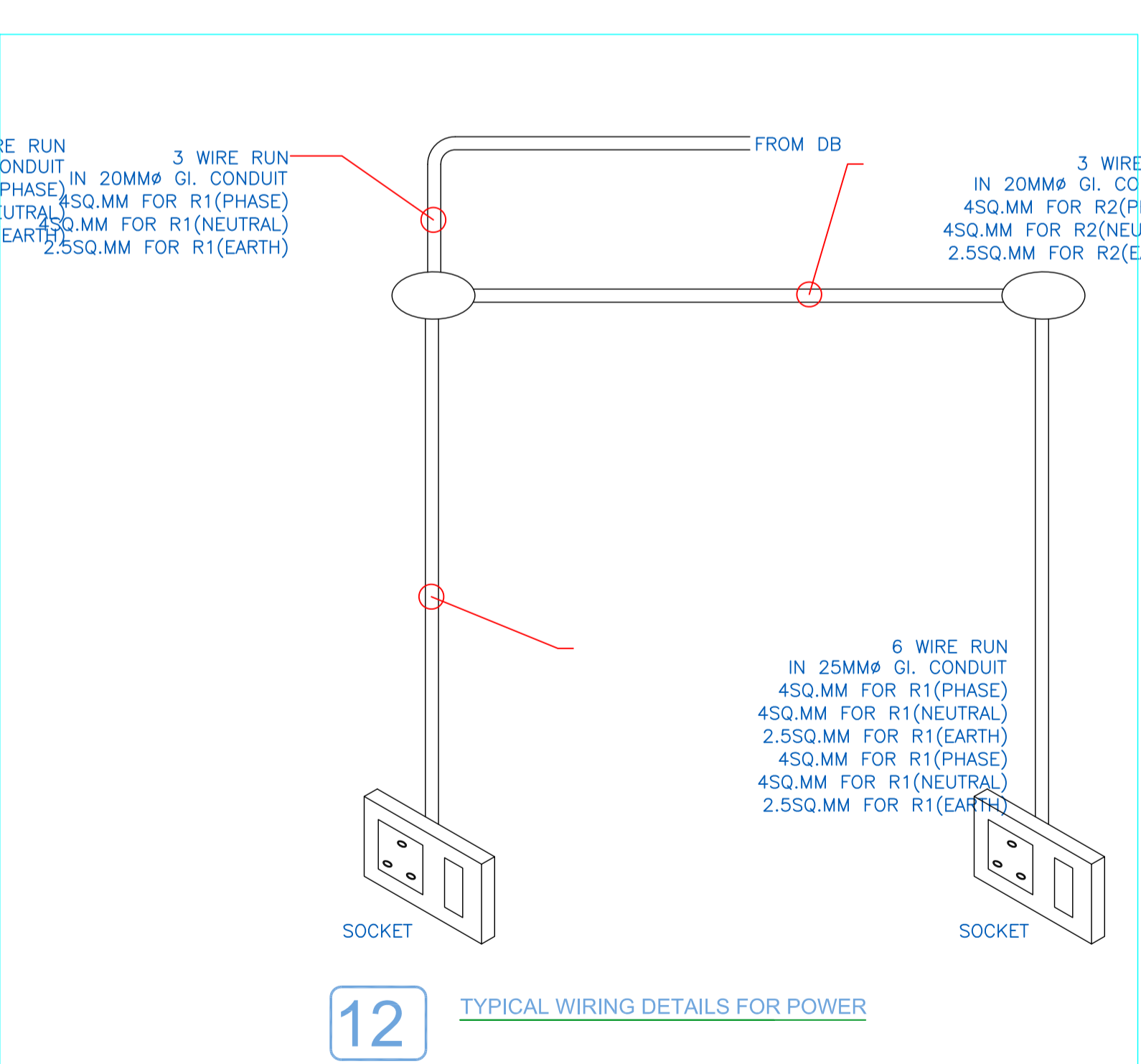
**9** TYPICAL LIGHT SWITCH BOX DETAILS



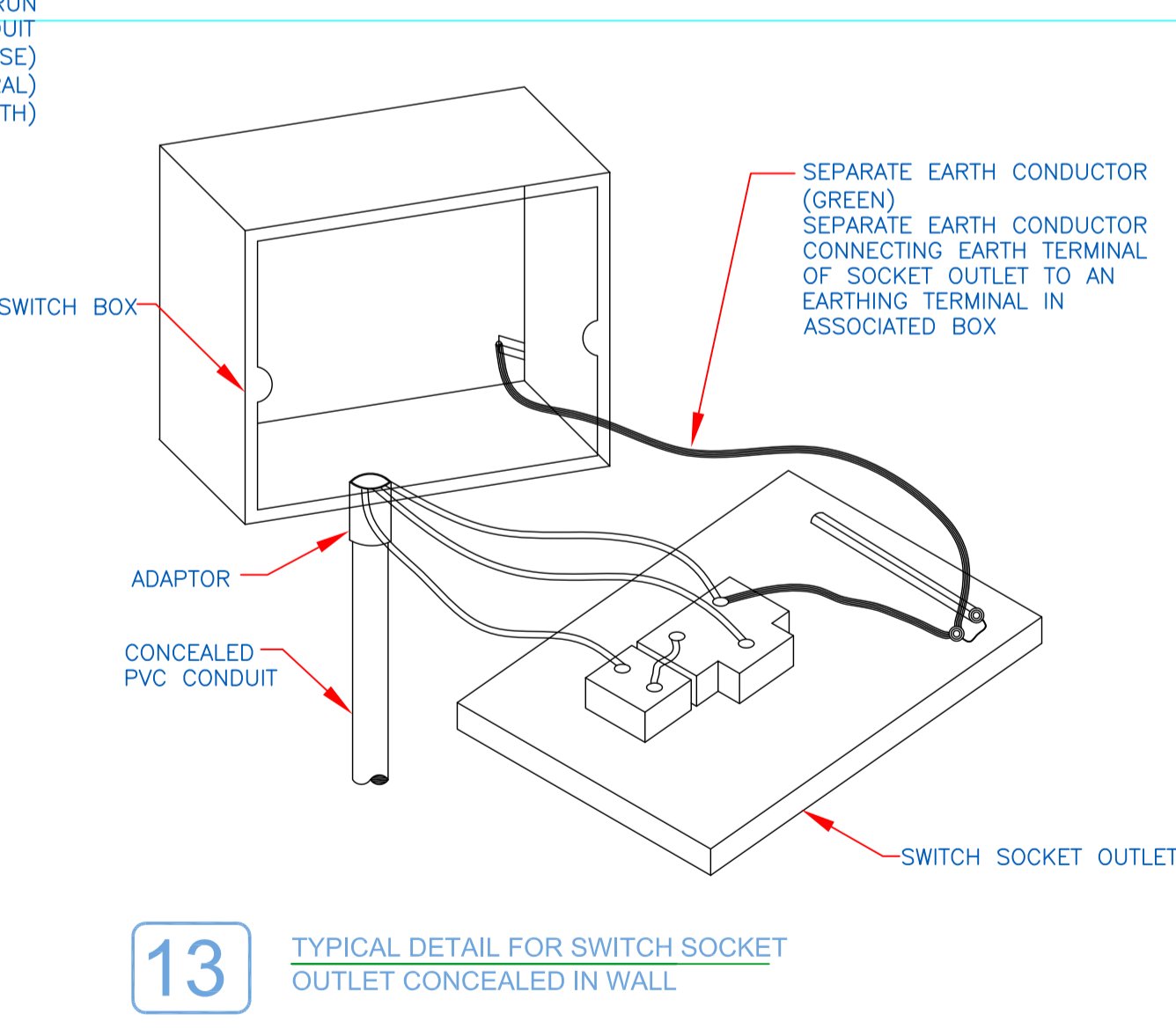
**10** TYPICAL ARRANGEMENT FOR NORMAL POWER SOCKET



**11** TYPICAL WIRING DETAILS FOR LIGHT



**12** TYPICAL WIRING DETAILS FOR POWER



**13** TYPICAL DETAIL FOR SWITCH SOCKET OUTLET CONCEALED IN WALL

# 1 TYPICAL DETAILS - ELECTRICAL

N.T.S.

No.	Date.	Remarks.		
Revisions				
Date	Prints Issued to	Date	Prints	Issued to

Distribution of Prints

Key Plan

Consultants

- Structural Consultants: VR SHAH Consulting Engineers
- Services Consultants: dbHMS, 2nd Floor, D-62, Sector -2, Noida - 201301, www.dbhms.in
- Landscape Consultants: Earthscapes Consultancy Pvt Ltd
- Road and Pathways Consultants: Arhmm Infra Consultants LLP

Project: Nalanda University, Rajgir, Bihar

Title: TYPICAL DETAILS - ELECTRICAL FOR TENDER

Dealt : M.T	Checked : VM	Scale : N.T.S.	Date : 05.02.2015
Drawing No. NUC-OC-E.5.0	Approved :	VASTU SHILPA CONSULTANTS Architects   Planners   Urban Designers	

'Sangath', Thaltej Road, Ahmedabad - 380054  
Phone: 079 - 27454537 Fax: 079 - 27452006  
www.sangath.org e-mail: vsc@sangath.org